

ALB

Units for air cooling and heating

Use

- Air heating or cooling with water heater and its smooth distribution in a room with a fan and louvre shutters.
- Arranging of energy efficient air heating or cooling in various premises including medium and large-scale buildings.
- Local heating or cooling of job sites or separate areas.



Air flow:
up to 3850 m³/h
1070 l/s



Power:
from 136 W



Noise level:
from 53 dBA



Design

- The unit consists of a high-performance axial fan and a high-efficient copper-aluminium water heater.
- Steel polymer-coated casing equipped with louvre shutters for uniform air distribution.
- The water coils are equipped with internally threaded pipes on the casing side for connection to the heat medium.
- Fixing brackets are designed for wall or ceiling mounting.

Motor

- Asynchronous external rotor motor and axial impeller.
- Single-phase motor.
- Equipped with ball bearings for longer service life.
- Integrated thermal protection with automatic restart.

Speed control

- Smooth speed control with an external thyristor controller or step speed control with an external auto transformer (both available upon separate order).
- Fan speed control provides regulation of the air flow and respectively the thermal transmission for heating or cooling.
- The **SGWH** control unit is used for controlling the operation modes of the air heating (cooling) unit (available upon separate order).

Mounting

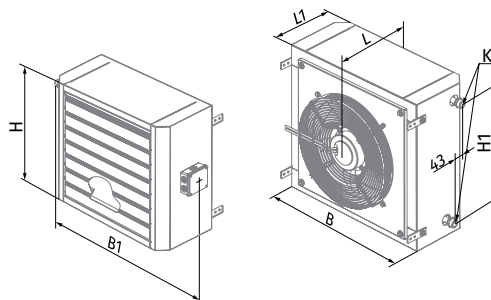
- The units may be installed vertically on walls or columns or horizontally on ceiling or beams.

Designation key

Series	Rated power [kW]
ALB	- 25; 30; 45

Overall dimensions [mm]

Type	B	B1	H	H1	L	L2	K	Number of tube raw	Weight [kg]
ALB-25	680	785	605	468	360	286	G 3/4"	2	37.0
ALB-30	680	785	655	518	360	286	G 3/4"	2	40.0
ALB-45	780	885	710	570	380	300	G 3/4"	2	50.0



Accessories

Control units



SGWH

Mounting brackets



UM ALB / UMP ALB

Temperature controllers



MLC E2 / MLC D E2

Technical data

Parameters	ALB-25	ALB-30	ALB-45
Voltage [V]	220-240	220-240	220-240
Frequency [Hz]	50	50	50
Fan power [W]	136	191	255
Fan current [A]	0.6	0.85	1.12
Maximum air flow [m ³ /h (l/s)]	2200 (611)	3000 (833)	3850 (1070)
RPM [min ⁻¹]	1350	1440	1360
Sound pressure at 3 m [dBA]	53	55	58
Maximum heat medium temperature [°C]	100	100	100
Insulation class	F	B	F
IP rating	IP44	IP44	IP44
Motor IP rating	IP44	IP44	IP44

Technical data for heating mode

Air flow [m ³ /h (l/s)]	Water inlet temperature [°C]	Supply air temperature [°C]	ALB-25 Power [kW]	Outlet temperature [°C]	Water flow rate [l/s]	Water pressure loss [kPa]
2200 (611)	90/70	-15	34.5	26	0.42	7.5
		-10	32	29	0.39	6.6
		-5	30	32	0.36	5.8
		0	28	35	0.33	5.2
		5	26.2	38.5	0.33	4.5
		10	24.2	41.4	0.31	3.9
		15	22.1	44.2	0.28	3.3
	80/60	-15	30.4	21.2	0.36	6.0
		-10	28.3	24.3	0.34	5.3
		-5	26.2	27.4	0.33	4.6
		0	24.1	30.4	0.31	4.0
		5	22.1	33.3	0.28	3.3
		10	20.1	36.1	0.26	2.8
		15	18.1	38.8	0.25	2.3
	70/50	-15	26	16	0.33	4.6
		-10	24	19.2	0.31	4.0
		-5	22	22	0.28	3.4
		0	20	25	0.25	2.8
		5	18	28	0.22	2.3
		10	15.9	30.6	0.19	1.9
		15	13.8	33	0.17	1.4
	60/40	-15	22	11	0.28	3.4
		-10	20	14	0.25	2.8
		-5	18	17	0.22	2.3
0		16	20	0.19	1.8	
5		14	22	0.17	1.4	
10		12	25	0.14	1.0	
15		9.0	27	0.11	0.7	

Technical data for cooling mode

Air flow [m ³ /h (l/s)]	Water inlet temperature [°C]	Supply air temperature [°C]	ALB-25 Power [kW]	Outlet temperature [°C]	Water flow rate [l/s]	Water pressure loss [kPa]
2200 (611)	7/12	35	9.1	26	0.44	7.5
		30	5.8	22.5	0.28	6.1
		25	3.2	21	0.17	2.1
		20	2.0	18	0.08	0.9

Technical data for heating mode

Air flow [m³/h (l/s)]	Water inlet temperature [°C]	Supply air temperature [°C]	ALB-30 Power [kW]	Outlet temperature [°C]	Water flow rate [l/s]	Water pressure loss [kPa]
3000 (833)	90/70	-15	48.4	27.2	0.58	7.4
		-10	45.4	30.3	0.56	6.6
		-5	42.4	33.4	0.53	5.9
		0	39.5	36.4	0.47	5.2
		5	36.7	39.4	0.44	4.5
		10	33.8	42.1	0.42	3.9
		15	31	44.9	0.39	3.3
	80/60	-15	42	22	0.53	6.0
		-10	39	25.2	0.47	5.3
		-5	36.7	28.2	0.44	4.6
		0	33.8	31.1	0.42	3.9
		5	30.9	34.0	0.39	3.4
		10	28.1	36.7	0.33	2.8
		15	25.3	40	0.31	2.3
	70/50	-15	36.6	17	0.44	4.7
		-10	33.7	20	0.42	4.0
		-5	30	22.9	0.39	3.4
		0	28	25.7	0.33	2.9
		5	25	28.5	0.31	2.4
		10	22	31.1	0.28	1.9
		15	19.4	33.7	0.25	1.5
	60/40	-15	31	11.7	0.36	3.5
		-10	27.6	14.6	0.33	2.9
		-5	24	17.4	0.31	2.4
0		21	20	0.28	1.9	
5		19	22.7	0.22	1.5	
10		16	25.2	0.19	1.1	
15		13	27.5	0.17	0.7	

Technical data for cooling mode

Air flow [m³/h (l/s)]	Water inlet temperature [°C]	Supply air temperature [°C]	ALB-30 Power [kW]	Outlet temperature [°C]	Water flow rate [l/s]	Water pressure loss [kPa]
3000 (833)	7/12	35	11.4	27	0.56	11.2
		30	7.3	22.9	0.36	5.0
		25	3.9	21.1	0.19	1.6
		20	2.4	17.7	0.11	0.7

Technical data for heating mode

Air flow [m³/h (l/s)]	Water inlet temperature [°C]	Supply air temperature [°C]	ALB-45 Power [kW]	Outlet temperature [°C]	Water flow rate [l/s]	Water pressure loss [kPa]
3850 (1070)	90/70	-15	63.0	28.4	0.78	11.9
		-10	59.2	31.5	0.72	10.6
		-5	55.4	34.6	0.67	9.4
		0	51.6	37.5	0.64	8.3
		5	47.9	40.4	0.58	7.3
		10	44.3	43.2	0.56	6.3
		15	40.6	45.9	0.50	5.4
	80/60	-15	55.6	23.3	0.67	9.7
		-10	51.8	26.4	0.64	8.5
		-5	48.0	29.3	0.58	7.4
		0	44.3	32.2	0.56	6.4
		5	40.6	35.0	0.50	5.5
		10	37.0	37.8	0.44	4.6
		15	33.4	40.4	0.42	3.8
	70/50	-15	48.1	18.1	0.58	7.6
		-10	44.3	21.1	0.53	6.6
		-5	40.6	23.9	0.50	5.6
		0	36.9	26.8	0.44	4.7
		5	33.2	29.5	0.42	3.9
		10	29.6	32.2	0.36	3.2
		15	26.0	34.8	0.31	2.5
	60/40	-15	40.4	12.8	0.50	5.7
		-10	36.7	15.7	0.44	4.8
		-5	32.9	18.5	0.39	3.9
0		29.2	21.3	0.36	3.2	
5		25.6	23.9	0.31	2.5	
10		21.9	26.4	0.28	1.9	
15		18.1	28.8	0.22	1.3	

Technical data for cooling mode

Air flow [m³/h (l/s)]	Water inlet temperature [°C]	Supply air temperature [°C]	ALB-45 Power [kW]	Outlet temperature [°C]	Water flow rate [l/s]	Water pressure loss [kPa]
3850 (1070)	7/12	35	18.0	24.9	0.86	31.8
		30	10.8	21.7	0.53	12.9
		25	7.3	19	0.36	6.3
		20	3.2	17.4	0.14	1.4