



Shutters

AVK

for rectangular ducts

Use

- For automatic regulation of air flow volume or shut-off of air ducts installed in various premises.
- Compatible with 400x200 up to 600x350 mm rectangular air ducts.

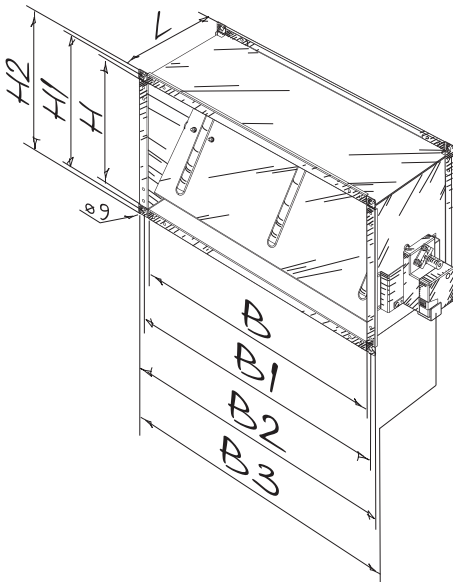
Design

- Galvanized steel case and rotary blade.
- Automatic control of the regulating mechanism with a servo actuator installed on the damper shaft. Three-point circuit provides regulation of the rotary blade; adjustable with mechanical stop blocks, maximum angle 95°. The servo actuator has overheating protection.
- Switching to manual control mode if required.

Mounting

- Fixing to rectangular ducts with flange connection.
- Mounting with galvanized bolts and clamps that fix the end flanges of the air shutter to the mating flanges of the air ducts or any other ventilation system components.
- While mounting provide enough space for accessing the servo actuator.

Overall dimensions



Type	Dimensions [mm]								Weight [kg]
	B	B1	B2	B3	H	H1	H2	L	
AVK 40x20	400	420	440	503	200	220	240	202	3.6
AVK 50x25	500	520	540	603	250	270	290	202	4.4
AVK 50x30	500	520	540	603	300	320	340	202	4.8
AVK 60x30	600	620	640	703	300	320	340	202	5.4
AVK 60x35	600	620	640	703	350	370	390	202	5.8

