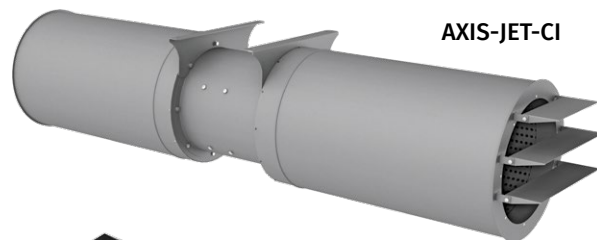
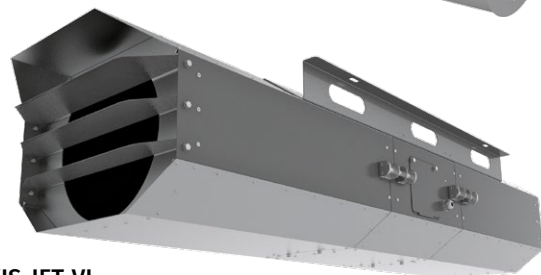


AXIS-JET

Jet axial fans

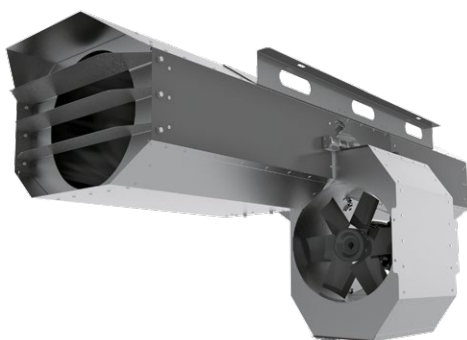
Use

- The **Axis-Jet** axial fans are designed for general purpose ventilation of underground and semiopened parkings, ventilation of tunnels, smoke extraction in case of fire as a part of smoke extract system. The fans generate a high-speed and high-pressure directed air jet.
- Temperatures of the transported medium: in continuous operation up to +55 °C; in smoke extraction mode: 300 °C/2 hrs and 400 °C/2 hrs
- Functionality. Power. Efficiency.


AXIS-JET-CI

AXIS-JET-VI

Design

- The casing of the **Axis-Jet** fan is made of polymer coated steel. The fans are available in two casing versions: cylindrical and octagonal.
- The casing includes inner brackets for motor fixation. These brackets act as directing vanes and distribute air flow uniformly, thus increasing aerodynamic performances of the fan. The fan has a sound insulation of mineral wool.
- The fan in an octagonal casing **Axis-Jet-VI** has a reduced height, a hinged hatch for electrical installation with captive bolts and a detachable middle part for maintenance.



Motor

- Three-phase asynchronous short-circuit rotor motor is installed inside the fan casing. Motor ingress protection rating is IP55. The motor design ensures operation of the fan in the smoke extract systems and/or general ventilation systems in unidirectional and reversible modes. The motors are designed for 400 V mains voltage and 60 Hz mains frequency.

Impeller

- The dynamically balanced impeller is made of cast aluminium alloy (for fans of smoke extraction systems) or of glass-fiber reinforced polyamide (for fans of general industrial use).
- The reversible fans are equipped with 100 % reversible two-directional impeller.

Mounting

- The **Axis-Jet** fans are designed for horizontal ceiling mounting and fixation by means of the supplied fixing brackets attached to the fan casing.

Modifications

- Unidirectional single-speed type (U)
- Unidirectional double-speed type (U)
- Reversible single-speed (R)
- Reversible double-speed (R)

The fans with the fire resistance rating 200 °C/2 hrs can be manufactured on special request.

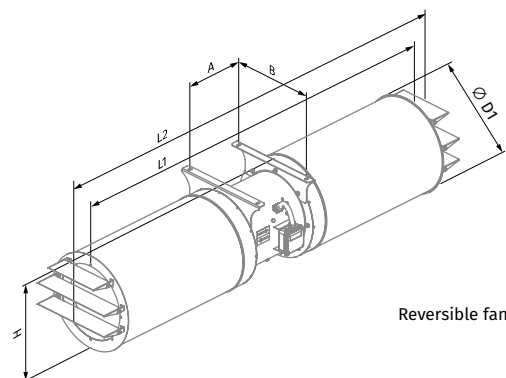
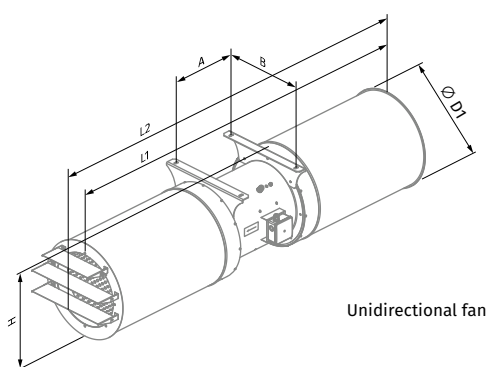
Designation key

Model	Casing type	Casing insulation	Diameter [mm]	Motor	Number of poles	Air flow	Fire resistance limit/hrs	Frequency
AXIS-JET: jet axial fan	- C: round V: octagonal	_: without sound-insulation I: sound-insulated casing	- 315; 355; 400; 450; 500; 560; 630	_: standard motor M, S: model with a high-power motor	- 2 2/4 (applicable for double-speed motors)	- U: unidirectional R: reversible	- _: max. +55 °C 300/2: 300 °C/2 h 400/2: 400 °C/2 h	- _: 50 Hz 60 Hz: 60 Hz

Overall dimensions [mm]

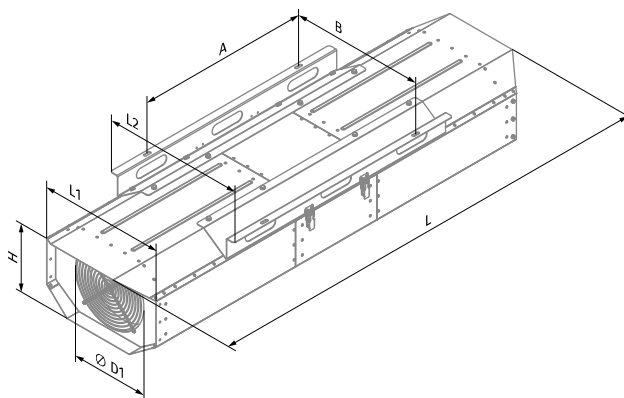
AXIS-JET-CI

Model	Ø D1	A	B	H	L1	L2	Weight [kg]
Unidirectional							
Axis-Jet-CI-315-U	414	302	355	425	1654	1763	40
Axis-Jet-CI-355-U	467	302	420	482	1954	2079	50
Axis-Jet-CI-400-U	515	351	460	525	2004	2129	65
Axis-Jet-CI-450-U	565	351	500	575	2004	2129	85
Axis-Jet-CI-500-U	603	371	580	620	2004	2145	110
Axis-Jet-CI-560-U	663	446	620	678	2093	2247	155
Axis-Jet-CI-630-U	733	550	710	748	2193	2357	245
Reversible							
Axis-Jet-CI-315-R	414	302	355	425	1654	1872	40
Axis-Jet-CI-355-R	467	302	420	482	1954	2202	50
Axis-Jet-CI-400-R	515	351	460	525	2004	2253	65
Axis-Jet-CI-450-R	565	351	500	575	2004	2253	85
Axis-Jet-CI-500-R	603	371	580	620	2004	2290	110
Axis-Jet-CI-560-R	663	446	620	678	2093	2400	155
Axis-Jet-CI-630-R	733	550	710	748	2193	2520	245



AXIS-JET-VI

Model	Ø D1	A	B	H	L	L1	L2	Weight [kg]
Unidirectional								
Axis-Jet-VI-315-U	315	700	542	347	1846	507	572	58
Axis-Jet-VI-355-U	355	700	583	388	2046	546	613	75
Axis-Jet-VI-400-U	400	750	632	434	2296	590	667	95
Reversible								
Axis-Jet-VI-315-R	315	700	542	347	1846	507	572	58
Axis-Jet-VI-355-R	355	700	583	388	2046	546	613	75
Axis-Jet-VI-400-R	400	750	632	434	2296	590	667	95



Technical data

AXIS-JET-CI

∅ [mm]	Air flow direction	Number of speeds	Model	Power [kW]	Max. air flow [m³/h]	Fan pull [N]	Air speed [m/s]	RPM	Operating temperature [°C]	Sound pressure LpA, dB in 3 m	
315	Unidirectional	1	Axis-Jet-CI-315-2-U-60 Hz	0.55	4110	22	15.6	3460	55 °C	70.3	
			Axis-Jet-CI-315-2-U-300/2-60 Hz				300 °C/2 h*				
			Axis-Jet-CI-315-2-U-400/2-60 Hz		13	11.7	400 °C/2 h*		66		
		2	1	Axis-Jet-CI-315M-2-U-60 Hz	0.75	4770	29	18.1	3460	55 °C	66.1
				Axis-Jet-CI-315M-2-U-300/2-60 Hz				300 °C/2 h*			
				Axis-Jet-CI-315M-2-U-400/2-60 Hz		16	13.3	400 °C/2 h*		66.3	
	2		1	Axis-Jet-CI-315-2/4-U-60 Hz	0.55/0.11	4110/2055	22/6	15.6/7.8	3460/1730	55 °C	70.3/55.2
				Axis-Jet-CI-315-2/4-U-300/2-60 Hz				300 °C/2 h*			
				Axis-Jet-CI-315-2/4-U-400/2-60 Hz		13/4	11.7/5.85	400 °C/2 h*		66/50.9	
	2	2	Axis-Jet-CI-315M-2/4-U-60 Hz	0.8/0.2	4770/2385	29/8	18.1/9	3460/1730	55 °C	66.1/51	
			Axis-Jet-CI-315M-2/4-U-300/2-60 Hz				300 °C/2 h*				
			Axis-Jet-CI-315M-2/4-U-400/2-60 Hz		16/4	13.3/6.65	400 °C/2 h*		66.3/51.2		
	Reversible	1	Axis-Jet-CI-315-2-R-60 Hz	0.55	4010	21	15.2	3460	55 °C	69.1	
			Axis-Jet-CI-315-2-R-300/2-60 Hz				300 °C/2 h*				
			Axis-Jet-CI-315-2-R-400/2-60 Hz		11	11.2	400 °C/2 h*		69.3		
2		1	Axis-Jet-CI-315-2/4-R-60 Hz	0.55/0.11	4010/2005	21/6	15.2/7.6	3460/1730	55 °C	69.1/54	
			Axis-Jet-CI-315-2/4-R-300/2-60 Hz				300 °C/2 h*				
			Axis-Jet-CI-315-2/4-R-400/2-60 Hz		11/3	11.2/5.6	400 °C/2 h*		69.3/54.2		
355	Unidirectional	1	Axis-Jet-CI-355-2-U-60 Hz	0.75	5930	35	17.6	3460	55 °C	65.3	
			Axis-Jet-CI-355-2-U-300/2-60 Hz				300 °C/2 h*				
			Axis-Jet-CI-355-2-U-400/2-60 Hz		19	12.9	400 °C/2 h*		66.4		
		2	1	Axis-Jet-CI-355M-2-U-60 Hz	1.1	6560	43	19.5	3460	55 °C	67.1
				Axis-Jet-CI-355M-2-U-300/2-60 Hz				300 °C/2 h*			
				Axis-Jet-CI-355M-2-U-400/2-60 Hz		27	15.4	400 °C/2 h*		68	
	2		2	Axis-Jet-CI-355-2/4-U-60 Hz	0.8/0.2	5930/2965	35/9	17.6/8.8	3460/1730	55 °C	65.3/50.2
				Axis-Jet-CI-355-2/4-U-300/2-60 Hz				300 °C/2 h*			
				Axis-Jet-CI-355-2/4-U-400/2-60 Hz		19/5	12.9/6.45	400 °C/2 h*		66.4/51.2	
	Reversible	1	Axis-Jet-CI-355M-2/4-U-60 Hz	1.1/0.25	6560/3280	43/11	19.5/9.75	3460/1730	55 °C	67.1/52.1	
			Axis-Jet-CI-355M-2/4-U-300/2-60 Hz				300 °C/2 h*				
			Axis-Jet-CI-355M-2/4-U-400/2-60 Hz		27/7	15.4/7.7	400 °C/2 h*		68/53		
		2	1	Axis-Jet-CI-355-2-R-60 Hz	1.1	5550	31	16.5	3460	55 °C	71.5
				Axis-Jet-CI-355-2-R-300/2-60 Hz				300 °C/2 h*			
				Axis-Jet-CI-355-2-R-400/2-60 Hz		18	12.4	400 °C/2 h*		71.8	
2	2	Axis-Jet-CI-355-2/4-R-60 Hz	1.1/0.25	5550/2775	31/8	16.5/8.25	3460/1730	55 °C	71.5/56.5		
		Axis-Jet-CI-355-2/4-R-300/2-60 Hz				300 °C/2 h*					
		Axis-Jet-CI-355-2/4-R-400/2-60 Hz		18/5	12.4/6.2	400 °C/2 h*		71.8/56.8			
400	Unidirectional	1	Axis-Jet-CI-400-2-U-60 Hz	1.1	7810	48	18.3	3460	55 °C	70.8	
			Axis-Jet-CI-400-2-U-300/2-60 Hz				300 °C/2 h*				
			Axis-Jet-CI-400-2-U-400/2-60 Hz		40	16.6	400 °C/2 h*		67.6		
		2	1	Axis-Jet-CI-400M-2-U-60 Hz	2.2	9570	72	22.5	3460	55 °C	70.9
				Axis-Jet-CI-400M-2-U-300/2-60 Hz				300 °C/2 h*			
				Axis-Jet-CI-400M-2-U-400/2-60 Hz		69	21.9	400 °C/2 h*		69.5	
	2		1	Axis-Jet-CI-400-2/4-U-60 Hz	1.1/0.25	7810/3905	48/12	18.3/9.15	3460/1730	55 °C	70.8/55.7
				Axis-Jet-CI-400-2/4-U-300/2-60 Hz				300 °C/2 h*			
				Axis-Jet-CI-400-2/4-U-400/2-60 Hz		40/10	16.6/8.3	400 °C/2 h*		67.6/54	
	Reversible	1	Axis-Jet-CI-400M-2/4-U-60 Hz	2.2/0.5	9570/4785	72/18	22.5/11.25	3460/1730	55 °C	70.9/55.9	
			Axis-Jet-CI-400M-2/4-U-300/2-60 Hz				300 °C/2 h*				
			Axis-Jet-CI-400M-2/4-U-400/2-60 Hz		69/18	21.9/10.95	400 °C/2 h*		69.5/54.4		
		2	1	Axis-Jet-CI-400-2-R-60 Hz	1.5	8040	51	18.9	3460	55 °C	73.9
				Axis-Jet-CI-400-2-R-300/2-60 Hz				300 °C/2 h*			
				Axis-Jet-CI-400-2-R-400/2-60 Hz		39	16.5	400 °C/2 h*		71.7	
2	2	Axis-Jet-CI-400-2/4-R-60 Hz	1.5/0.37	8040/4020	51/13	18.9/9.45	3460/1730	55 °C	73.9/58.9		
		Axis-Jet-CI-400-2/4-R-300/2-60 Hz				300 °C/2 h*					
		Axis-Jet-CI-400-2/4-R-400/2-60 Hz		39/10	16.5/8.25	400 °C/2 h*		71.7/56.1			

*Smoke extraction mode: once for two hours

AXIS-JET-CI

Ø [mm]	Air flow direction	Number of speeds	Model	Power [kW]	Max. air flow [m³/h]	Fan pull [N]	Air speed [m/s]	RPM	Operating temperature [°C]	Sound pressure LpA, dB in 3 m						
450	Unidirectional	1	Axis-Jet-CI-450-2-U-60 Hz	1.5	10500	69	19.5	3460	55 °C	72.1						
			Axis-Jet-CI-450-2-U-300/2-60 Hz						300 °C/2 h*							
			Axis-Jet-CI-450-2-U-450/2-60 Hz						400 °C/2 h*							
		2	Axis-Jet-CI-450M-2-U-60 Hz	2.2	12500	97	23.2	3460	55 °C	71.2						
			Axis-Jet-CI-450M-2-U-300/2-60 Hz						300 °C/2 h*							
			Axis-Jet-CI-450M-2-U-400/2-60 Hz						400 °C/2 h*							
		3	Axis-Jet-CI-450S-2-U-60 Hz	3	13300	110	24.6	3460	55 °C	74.3						
			Axis-Jet-CI-450S-2-U-300/2-60 Hz						300 °C/2 h*							
			Axis-Jet-CI-450S-2-U-400/2-60 Hz						400 °C/2 h*							
		Reversible	1	Axis-Jet-CI-450-2/4-U-60 Hz	1.5/0.37	10500/5250	69/18	19.5/9.75	3460/1730	55 °C	72.1/57					
				Axis-Jet-CI-450-2/4-U-300/2-60 Hz						300 °C/2 h*						
				Axis-Jet-CI-450-2/4-U-400/2-60 Hz						400 °C/2 h*						
	Axis-Jet-CI-450M-2/4-U-60 Hz			9860/4930						61/16		18.3/9.15	400 °C/2 h*	70.6/55.5		
	Axis-Jet-CI-450M-2/4-U-300/2-60 Hz			12500/6250						97/25		23.2/11.6	300 °C/2 h*	71.2/56.2		
	Axis-Jet-CI-450M-2/4-U-400/2-60 Hz			11400/5700						81/21		21.1/10.55	400 °C/2 h*	71.1/56		
	2		Axis-Jet-CI-450S-2/4-U-60 Hz	3.1/0.8	13300/6650	110/28	24.6/12.3	3460	55 °C	74.3/59.2						
			Axis-Jet-CI-450S-2/4-U-300/2-60 Hz						300 °C/2 h*							
			Axis-Jet-CI-450S-2/4-U-400/2-60 Hz						400 °C/2 h*							
			Axis-Jet-CI-450-2-R-60 Hz						1.5		9110	52	16.9	3460	55 °C	79.8
			Axis-Jet-CI-450-2-R-300/2-60 Hz												300 °C/2 h*	
			Axis-Jet-CI-450-2-R-450/2-60 Hz												400 °C/2 h*	
	Axis-Jet-CI-450M-2-R-60 Hz	2.2	11100	77	20.6	3460	55 °C	77.3								
	Axis-Jet-CI-450M-2-R-300/2-60 Hz						300 °C/2 h*									
	Axis-Jet-CI-450M-2-R-400/2-60 Hz						400 °C/2 h*									
Axis-Jet-CI-450S-2-R-60 Hz	3						12500		97	23.1	3460	55 °C	75.9			
Axis-Jet-CI-450S-2-R-300/2-60 Hz												300 °C/2 h*				
Axis-Jet-CI-450S-2-R-400/2-60 Hz												400 °C/2 h*				
Axis-Jet-CI-450-2/4-R-60 Hz		1.5/0.37	9110/4555	52/13	16.9/8.45	3460/1730		55 °C				79.8/64.7				
Axis-Jet-CI-450-2/4-R-300/2-60 Hz								300 °C/2 h*								
Axis-Jet-CI-450-2/4-R-400/2-60 Hz								400 °C/2 h*								
Axis-Jet-CI-450M-2/4-R-60 Hz	2.2/0.5						11100/5550	77/20	20.6/10.3	3460/1730	55 °C		77.3/62.3			
Axis-Jet-CI-450M-2/4-R-300/2-60 Hz											300 °C/2 h*					
Axis-Jet-CI-450M-2/4-R-400/2-60 Hz											400 °C/2 h*					
Axis-Jet-CI-450S-2/4-R-60 Hz		3.1/0.8	12500/6250	97/25	23.1/11.55	3460					55 °C	75.9/60.9				
Axis-Jet-CI-450S-2/4-R-300/2-60 Hz											300 °C/2 h*					
Axis-Jet-CI-450S-2/4-R-400/2-60 Hz											400 °C/2 h*					
Axis-Jet-CI-500-2/4-U-60 Hz	3.1/0.8						14100/7030	100/25	21.1/10.5	3460/1730	55 °C		78.2/63.1			
Axis-Jet-CI-500-2/4-U-300/2-60 Hz											300 °C/2 h*					
Axis-Jet-CI-500-2/4-U-400/2-60 Hz											400 °C/2 h*					
500	Unidirectional	2	Axis-Jet-CI-500M-2/4-U-60 Hz	4.4/1.1	17300/8630	149/38	25.8/12.9	3460/1730	55 °C	76.8/61.8						
			Axis-Jet-CI-500M-2/4-U-300/2-60 Hz						300 °C/2 h*							
			Axis-Jet-CI-500M-2/4-U-400/2-60 Hz						400 °C/2 h*							
		Reversible	1	Axis-Jet-CI-500-2/4-R-60 Hz	3.1/0.8	14900/7460	111/28	22.3/11.2	3460	55 °C	77/61.9					
				Axis-Jet-CI-500-2/4-R-300/2-60 Hz						300 °C/2 h*						
				Axis-Jet-CI-500-2/4-R-400/2-60 Hz						400 °C/2 h*						
	2		Axis-Jet-CI-500M-2/4-R-60 Hz	4.4/1.1	16400/8160	134/34	24.5/12.3	3460	55 °C	78.6/63.5						
			Axis-Jet-CI-500M-2/4-R-300/2-60 Hz						300 °C/2 h*							
			Axis-Jet-CI-500M-2/4-R-400/2-60 Hz						400 °C/2 h*							
	560	Unidirectional	2	Axis-Jet-CI-560-2/4-U-60 Hz	4.4/1.1	19600/9790	157/40	23.9/12	3460/1730	55 °C	76.8/61.8					
				Axis-Jet-CI-560-2/4-U-300/2-60 Hz						300 °C/2 h*						
				Axis-Jet-CI-560-2/4-U-400/2-60 Hz						400 °C/2 h*						
Reversible			1	Axis-Jet-CI-560M-2/4-U-60 Hz	8/2	24500/12300	245/62	30/15	3530/1765	55 °C	78.4/63.4					
				Axis-Jet-CI-560M-2/4-U-300/2-60 Hz						300 °C/2 h*						
				Axis-Jet-CI-560M-2/4-U-400/2-60 Hz						400 °C/2 h*						
		2	Axis-Jet-CI-560-2/4-R-60 Hz	4.4/1.1	18100/9030	134/34	22.1/11	3460/1730	55 °C	82.4/67.3						
			Axis-Jet-CI-560-2/4-R-300/2-60 Hz						300 °C/2 h*							
			Axis-Jet-CI-560-2/4-R-400/2-60 Hz						400 °C/2 h*							
3		Axis-Jet-CI-560M-2/4-R-60 Hz	6/1.5	20600/10300	174/44	25.2/12.6	3530/1765	55 °C	81.4/66.4							
		Axis-Jet-CI-560M-2/4-R-300/2-60 Hz						300 °C/2 h*								
		Axis-Jet-CI-560M-2/4-R-400/2-60 Hz						400 °C/2 h*								

*Smoke extraction mode: once for two hours

AXIS-JET-CI

∅ [mm]	Air flow direction	Number of speeds	Model	Power [kW]	Max. air flow [m³/h]	Fan pull [N]	Air speed [m/s]	RPM	Operating temperature [°C]	Sound pressure LpA, dB in 3 m			
630	Unidirectional	2	Axis-Jet-CI-630-2/4-U-60 Hz	12/3	31700/15800	324/81	30.6/15.3	3530/1765	55 °C	83.2/68.2			
			Axis-Jet-CI-630-2/4-U-300/2-60 Hz						30600/15300	301/75	29.5/14.7	300 °C/2 h*	81.6/66.6
			Axis-Jet-CI-630-2/4-U-400/2-60 Hz						36500/18200	429/107	35.2/17.6	400 °C/2 h*	82.7/67.6
			Axis-Jet-CI-630M-2/4-U-60 Hz	16/4	35000/17500	395/99	33.8/16.9					300 °C/2 h*	81.1/66
			Axis-Jet-CI-630M-2/4-U-300/2-60 Hz						30600/15300	302/76	29.6/14.8	55 °C	85.7/70.6
	Reversible	2	Axis-Jet-CI-630-2/4-R-60 Hz	12/3	29400/14700	279/70	28.4/14.2	3530/1765	300 °C/2 h*	84.1/69			
			Axis-Jet-CI-630-2/4-R-300/2-60 Hz						32400/16200	339/85	31.3/15.7	400 °C/2 h*	86.4/71.4
			Axis-Jet-CI-630M-2/4-R-60 Hz									16/4	30800/15400
			Axis-Jet-CI-630M-2/4-R-300/2-60 Hz	300 °C/2 h*	85.7/70.6								
			Axis-Jet-CI-630M-2/4-R-400/2-60 Hz	400 °C/2 h*	85.7/70.6								

*Smoke extraction mode: once for two hours

AXIS-JET-VI

Ø [mm]	Air flow direction	Number of speeds	Model	Power [kW]	Max. air flow [m³/h]	Fan pull [N]	Air speed [m/s]	RPM	Operating temperature [°C]	Sound pressure LpA, dB in 3 m		
315	Unidirectional	1	Axis-Jet-VI-315-2-U-60 Hz	0.55	4110	22	15.6	3460	55 °C	70.3		
			Axis-Jet-VI-315-2-U-300/2-60 Hz		3090	13	11.7		300 °C/2 h*			
			Axis-Jet-VI-315-2-U-400/2-60 Hz		3090	13	11.7		400 °C/2 h*			
		2	0.75	Axis-Jet-VI-315M-2-U-60 Hz	4770	29	18.1	55 °C	66.1			
				Axis-Jet-VI-315M-2-U-300/2-60 Hz	3500	16	13.3	300 °C/2 h*	66.3			
				Axis-Jet-VI-315-2/4-U-60 Hz	4110/2055	22/6	15.6/7.8	55 °C	70.3/55.2			
	0.55/0.11		Axis-Jet-VI-315-2/4-U-300/2-60 Hz	3090/1545	13/4	11.7/5.85	300 °C/2 h*	66/50.9				
			Axis-Jet-VI-315M-2/4-U-60 Hz	4770/2385	29/8	18.1/9	55 °C	66.1/51				
			Axis-Jet-VI-315M-2/4-U-300/2-60 Hz	3500/1750	16/4	13.3/6.65	300 °C/2 h*	66.3/51.2				
	Reversible	1	Axis-Jet-VI-315-2-R-60 Hz	0.55	4010	21	15.2	3460	55 °C	69.1		
			Axis-Jet-VI-315-2-R-300/2-60 Hz		2940	11	11.2		300 °C/2 h*		69.3	
			Axis-Jet-VI-315-2-R-400/2-60 Hz		2940	11	11.2		400 °C/2 h*		69.3	
		2	0.55/0.11	Axis-Jet-VI-315-2/4-R-60 Hz	4010/2005	21/6	15.2/7.6	55 °C	69.1/54			
				Axis-Jet-VI-315-2/4-R-300/2-60 Hz	2940/1470	11/3	11.2/5.6	300 °C/2 h*	69.3/54.2			
				Axis-Jet-VI-315-2/4-R-400/2-60 Hz	2940/1470	11/3	11.2/5.6	400 °C/2 h*	69.3/54.2			
355	Unidirectional	1	Axis-Jet-VI-355-2-U-60 Hz	0.75	5930	35	17.6	3460	55 °C	65.3		
			Axis-Jet-VI-355-2-U-300/2-60 Hz		4350	19	12.9		300 °C/2 h*		66.4	
			Axis-Jet-VI-355-2-U-400/2-60 Hz		4350	19	12.9		400 °C/2 h*		66.4	
		2	1.1	Axis-Jet-VI-355M-2-U-60 Hz	6560	43	19.5	55 °C	67.1			
				Axis-Jet-VI-355M-2-U-300/2-60 Hz	5170	27	15.4	300 °C/2 h*	68			
				Axis-Jet-VI-355-2/4-U-60 Hz	5930/2965	35/9	17.6/8.8	400 °C/2 h*	68			
	0.8/0.2		Axis-Jet-VI-355-2/4-U-300/2-60 Hz	4350/2175	19/5	12.9/6.45	55 °C	65.3/50.2				
			Axis-Jet-VI-355-2/4-U-400/2-60 Hz	4350/2175	19/5	12.9/6.45	300 °C/2 h*	66.4/51.2				
			Axis-Jet-VI-355M-2/4-U-60 Hz	6560/3280	43/11	19.5/9.75	400 °C/2 h*	68/53				
	Reversible	1	Axis-Jet-VI-355-2-R-60 Hz	1.1	5550	31	16.5	3460	55 °C	71.5		
			Axis-Jet-VI-355-2-R-300/2-60 Hz		4170	18	12.4		300 °C/2 h*		71.8	
			Axis-Jet-VI-355-2-R-400/2-60 Hz		4170	18	12.4		400 °C/2 h*		71.8	
		2	1.1/0.25	Axis-Jet-VI-355-2/4-R-60 Hz	5550/2775	31/8	16.5/8.25	55 °C	71.5/56.5			
				Axis-Jet-VI-355-2/4-R-300/2-60 Hz	4170/2085	18/5	12.4/6.2	300 °C/2 h*	71.8/56.8			
				Axis-Jet-VI-355-2/4-R-400/2-60 Hz	4170/2085	18/5	12.4/6.2	400 °C/2 h*	71.8/56.8			
400	Unidirectional	1	Axis-Jet-VI-400-2-U-60 Hz	1.1	7810	48	18.3	3460	55 °C	70.8		
			Axis-Jet-VI-400-2-U-300/2-60 Hz		7080	40	16.6		300 °C/2 h*		67.6	
			Axis-Jet-VI-400-2-U-400/2-60 Hz		7080	40	16.6		400 °C/2 h*		67.6	
		2	2.2	Axis-Jet-VI-400M-2-U-60 Hz	9570	72	22.5	55 °C	70.9			
				Axis-Jet-VI-400M-2-U-300/2-60 Hz	9320	69	21.9	300 °C/2 h*	69.5			
				Axis-Jet-VI-400M-2-U-400/2-60 Hz	9320	69	21.9	400 °C/2 h*	69.5			
	1.1/0.25		Axis-Jet-VI-400-2/4-U-60 Hz	7810/3905	48/12	18.3/9.15	55 °C	70.8/55.7				
			Axis-Jet-VI-400-2/4-U-300/2-60 Hz	7080/3540	40/10	16.6/8.3	300 °C/2 h*	70.8/55.7				
			Axis-Jet-VI-400-2/4-U-400/2-60 Hz	7080/3540	40/10	16.6/8.3	400 °C/2 h*	67.6/54				
	Reversible	1	1.5	Axis-Jet-VI-400M-2/4-U-60 Hz	2.2/0.5	9570/4785	72/18	22.5/11.25	3460/1730	55 °C	70.9/55.9	
				Axis-Jet-VI-400M-2/4-U-300/2-60 Hz		9320/4660	69/18	21.9/10.95		300 °C/2 h*		69.5/54.4
				Axis-Jet-VI-400M-2/4-U-400/2-60 Hz		9320/4660	69/18	21.9/10.95		400 °C/2 h*		69.5/54.4
		2	1.5/0.37	Axis-Jet-VI-400-2-R-60 Hz	8040	51	18.9	3460	55 °C	73.9		
				Axis-Jet-VI-400-2-R-300/2-60 Hz	7040	39	16.5		300 °C/2 h*		71.7	
				Axis-Jet-VI-400-2-R-400/2-60 Hz	7040	39	16.5		400 °C/2 h*		71.7	
2	1.5/0.37	Axis-Jet-VI-400-2/4-R-60 Hz	8040/4020	51/13	18.9/9.45	55 °C	73.9/58.9					
		Axis-Jet-VI-400-2/4-R-300/2-60 Hz	7040/3520	39/10	16.5/8.25	300 °C/2 h*	71.7/56.1					
		Axis-Jet-VI-400-2/4-R-400/2-60 Hz	7040/3520	39/10	16.5/8.25	400 °C/2 h*	71.7/56.1					

*Smoke extraction mode: once for two hours