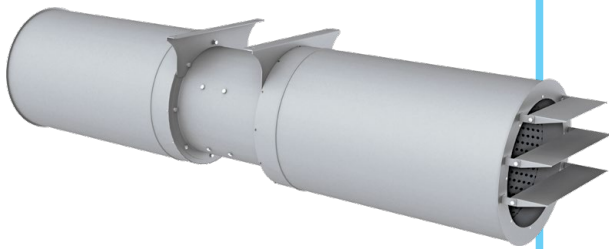


JET AXIAL FANS

AXIS-JET SERIES

Unidirectional single- and double-speed fans
Reversible single- and double-speed fans



Axial jet fans with fire resistance 200 °C/2 hrs, 300 °C/2 hrs, 400 °C/2 hrs for ventilation of covered parkings.
Functionality. Power. Efficiency.

Application

Axis-Jet axial fans are designed for general purpose ventilation of underground and semiopened parkings, ventilation of tunnels, smoke extraction in case of fire as a part of smoke extract system. The fans generate a high-speed and high-pressure directed air jet.

Modifications

- Unidirectional single-speed type (U)
- Unidirectional double-speed type (U)
- Reversible single-speed (R)
- Reversible double-speed (R)

Design

Axis-Jet casing has a tubular shape and is made of polymer coated steel. The fan has a sound insulation of mineral wool. The casing includes inner brackets for motor fixation. These brackets act as directing vanes and distribute air flow uniformly, thus increasing aerodynamic performances of the fan.

Motor

Three-phase asynchronous short-circuit rotor motor in the fan casing. Motor ingress protection rating is IP55. The motor design ensures operation of the fan in the smoke extract systems on unidirectional and reverse modes.

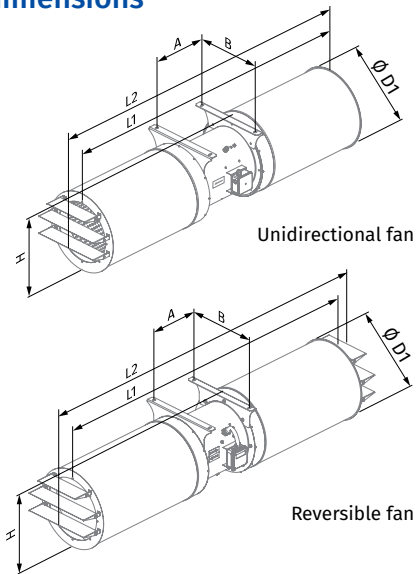
Impeller

Dynamically balanced impeller made of cast aluminium alloy. The reversible fans are equipped with 100 % reversible two-directional impeller.

Mounting

Axis-Jet fans are designed for horizontal ceiling mounting and fixation by means of the supplied fixing brackets attached to the fan casing.

Overall dimensions



Model	Dimensions [mm]					
	Ø D1	A	B	H	L1	L2
Unidirectional						
Axis-Jet-KI-315-U	414	302	355	425	1654	1763
Axis-Jet-KI-355-U	467	302	420	482	1954	2079
Axis-Jet-KI-400-U	515	351	460	525	2004	2129
Axis-Jet-KI-450-U	565	351	500	575	2004	2129
Axis-Jet-KI-500-U	603	371	580	620	2004	2145
Axis-Jet-KI-560-U	663	446	620	678	2093	2247
Axis-Jet-KI-630-U	733	550	710	748	2193	2357
Reversible						
Axis-Jet-KI-315-R	414	302	355	425	1654	1872
Axis-Jet-KI-355-R	467	302	420	482	1954	2202
Axis-Jet-KI-400-R	515	351	460	525	2004	2253
Axis-Jet-KI-450-R	565	351	500	575	2004	2253
Axis-Jet-KI-500-R	603	371	580	620	2004	2290
Axis-Jet-KI-560-R	663	446	620	678	2093	2400
Axis-Jet-KI-630-R	733	550	710	748	2193	2520

Designation key

Model	Casing type	Casing insulation	Diameter [mm]	Motor	Pole number	Air flow	Climatic category	Fire resistance limit/hrs
AXIS-JET: jet axial fan	K: round	-: without sound-insulation I: sound-insulated casing	315; 355; 400; 450; 500; 560; 630	-: standard motor M, S: model with a high-power motor	2 (for single-speed motors) 2/4 (for double-speed motors)	U: unidirectional R: reversible	U: moderate climate (-40...+40 °C) HL: cold climate (-60...+40 °C) UHL: moderate and cold climate (-60...+40 °C) T: tropical climate (-10...+50 °C) M: maritime moderately cold climate (-40...+40 °C) O: general climatic modification (except maritime climate) (-60...+50 °C) OM: general maritime climatic modification (-40...+40 °C) V: universal climatic modification (-60...+50 °C)	-: max. +55 °C 200/2: 200 °C/2 hrs 300/2: 300 °C/2 hrs 400/2: 400 °C/2 hrs

TECHNICAL DATA

Ø [mm]	Air flow direction	Number of speeds	Model	Unit voltage [V]	Frequency [Hz]	Power [kW]	Max. air capacity [m³/h]	Fan pull [N]	Air speed [m/s]	RPM	Operating temperature [°C]	Fire resistance
315	Unidirectional	1	AXIS-JET-KI-315-2-U-...	3~400	50	0.55	4000	22	14.3	2880	-25...+55 °C	55 °C
			AXIS-JET-KI-315-2-U...-200/2								200 °C/2 h	F200
			AXIS-JET-KI-315-2-U...-300/2								300 °C/2 h	F300
			AXIS-JET-KI-315-2-U...-400/2								400 °C/2 h	F400
		AXIS-JET-KI-315M-2-U-...	3~400	50	0.75	4800	30	17.2	2880	-25...+55 °C	55 °C	
		AXIS-JET-KI-315M-2-U...-200/2								200 °C/2 h	F200	
		AXIS-JET-KI-315M-2-U...-300/2								300 °C/2 h	F300	
		AXIS-JET-KI-315M-2-U...-400/2								400 °C/2 h	F400	
	AXIS-JET-KI-315-2/4-U-...	3~400	50	0.55 / 0.11	4000 / 2000	22 / 5.6	14.3 / 7.1	2880 / 1440	-25...+55 °C	55 °C		
	AXIS-JET-KI-315-2/4-U...-200/2								200 °C/2 h	F200		
	AXIS-JET-KI-315-2/4-U...-300/2								300 °C/2 h	F300		
	AXIS-JET-KI-315-2/4-U...-400/2								400 °C/2 h	F400		
	AXIS-JET-KI-315M-2/4-U-...	3~400	50	0.8 / 0.2	4800 / 2400	30 / 7.6	17.2 / 8.6	2880 / 1440	-25...+55 °C	55 °C		
	AXIS-JET-KI-315M-2/4-U...-200/2								200 °C/2 h	F200		
	AXIS-JET-KI-315M-2/4-U...-300/2								300 °C/2 h	F300		
	AXIS-JET-KI-315M-2/4-U...-400/2								400 °C/2 h	F400		
Reversible	1	3~400	50	0.55	4000	22	14.3	2880	-25...+55 °C	55 °C		
									AXIS-JET-KI-315-2-R...-200/2	200 °C/2 h	F200	
									AXIS-JET-KI-315-2-R...-300/2	300 °C/2 h	F300	
									AXIS-JET-KI-315-2-R...-400/2	400 °C/2 h	F400	
	AXIS-JET-KI-315-2/4-R-...	3~400	50	0.55 / 0.11	4000 / 2000	22 / 5.5	14.3 / 7.1	2880 / 1440	-25...+55 °C	55 °C		
	AXIS-JET-KI-315-2/4-R...-200/2								200 °C/2 h	F200		
	AXIS-JET-KI-315-2/4-R...-300/2								300 °C/2 h	F300		
	AXIS-JET-KI-315-2/4-R...-400/2								400 °C/2 h	F400		
355	Uni-directional	1	AXIS-JET-KI-355-2-U-...	3~400	50	0.75	5900	36	16.6	2880	-25...+55 °C	55 °C
			AXIS-JET-KI-355-2-U...-200/2								200 °C/2 h	F200
			AXIS-JET-KI-355-2-U...-300/2								300 °C/2 h	F300
			AXIS-JET-KI-355-2-U...-400/2								400 °C/2 h	F400
		AXIS-JET-KI-355M-2-U-...	3~400	50	1.1	6900	48	19.4	2880	-25...+55 °C	55 °C	
		AXIS-JET-KI-355M-2-U...-200/2								200 °C/2 h	F200	
		AXIS-JET-KI-355M-2-U...-300/2								300 °C/2 h	F300	
		AXIS-JET-KI-355M-2-U...-400/2								400 °C/2 h	F400	
	AXIS-JET-KI-355-2/4-U-...	3~400	50	0.8 / 0.2	5900 / 2900	36 / 9	16.6 / 8.2	2880 / 1440	-25...+55 °C	55 °C		
	AXIS-JET-KI-355-2/4-U...-200/2								200 °C/2 h	F200		
	AXIS-JET-KI-355-2/4-U...-300/2								300 °C/2 h	F300		
	AXIS-JET-KI-355-2/4-U...-400/2								400 °C/2 h	F400		
	AXIS-JET-KI-355M-2/4-U-...	3~400	50	1.1 / 0.25	6900 / 3400	48 / 12	19.5 / 9.6	2880 / 1440	-25...+55 °C	55 °C		
	AXIS-JET-KI-355M-2/4-U...-200/2								200 °C/2 h	F200		
	AXIS-JET-KI-355M-2/4-U...-300/2								300 °C/2 h	F300		
	AXIS-JET-KI-355M-2/4-U...-400/2								400 °C/2 h	F400		
Reversible	1	3~400	50	1.1	5900	35	16.6	2880	-25...+55 °C	55 °C		
									AXIS-JET-KI-355-2-R...-200/2	200 °C/2 h	F200	
									AXIS-JET-KI-355-2-R...-300/2	300 °C/2 h	F300	
									AXIS-JET-KI-355-2-R...-400/2	400 °C/2 h	F400	
	AXIS-JET-KI-355-2/4-R-...	3~400	50	1.1 / 0.25	5900 / 2900	35 / 9	16.6 / 8.2	2880 / 1440	-25...+55 °C	55 °C		
	AXIS-JET-KI-355-2/4-R...-200/2								200 °C/2 h	F200		
	AXIS-JET-KI-355-2/4-R...-300/2								300 °C/2 h	F300		
	AXIS-JET-KI-355-2/4-R...-400/2								400 °C/2 h	F400		

* Smoke extraction mode: once for two hours

Ø [mm]	Air flow direction	Number of speeds	Model	Unit voltage [V]	Frequency [Hz]	Power [kW]	Max. air capacity [m³/h]	Fan pull [N]	Air speed [m/s]	RPM	Operating temperature [°C]	Fire resistance
400	Unidirectional	1	AXIS-JET-KI-400-2-U-...	3~400	50	1.1	8500	57	18.8	2880	-25...+55 °C	55 °C
			AXIS-JET-KI-400-2-U...-200/2								200 °C/2 h	F200
			AXIS-JET-KI-400-2-U...-300/2								300 °C/2 h	F300
			AXIS-JET-KI-400-2-U...-400/2								400 °C/2 h	F400
		AXIS-JET-KI-400M-2-U-...	3~400	50	2.2	9900	77	21.9	2880	-25...+55 °C	55 °C	
		AXIS-JET-KI-400M-2-U...-200/2								200 °C/2 h	F200	
		AXIS-JET-KI-400M-2-U...-300/2								300 °C/2 h	F300	
		AXIS-JET-KI-400M-2-U...-400/2								400 °C/2 h	F400	
	AXIS-JET-KI-400-2/4-U-...	3~400	50	1.1 / 0.25	8500 / 4200	57 / 14	18.8 / 9.3	2880 / 1440	-25...+55 °C	55 °C		
	AXIS-JET-KI-400-2/4-U...-200/2								200 °C/2 h	F200		
	AXIS-JET-KI-400-2/4-U...-300/2								300 °C/2 h	F300		
	AXIS-JET-KI-400-2/4-U...-400/2								400 °C/2 h	F400		
	AXIS-JET-KI-400M-2/4-U-...	3~400	50	2.2 / 0.5	9900 / 4900	77 / 19	21.9 / 10.9	2880 / 1440	-25...+55 °C	55 °C		
	AXIS-JET-KI-400M-2/4-U...-200/2								200 °C/2 h	F200		
	AXIS-JET-KI-400M-2/4-U...-300/2								300 °C/2 h	F300		
	AXIS-JET-KI-400M-2/4-U...-400/2								400 °C/2 h	F400		
Reversible	1	AXIS-JET-KI-400-2-R-...	3~400	50	1.5	8400	55	18.6	2880	-25...+55 °C	55 °C	
		AXIS-JET-KI-400-2-R...-200/2								200 °C/2 h	F200	
		AXIS-JET-KI-400-2-R...-300/2								300 °C/2 h	F300	
		AXIS-JET-KI-400-2-R...-400/2								400 °C/2 h	F400	
	AXIS-JET-KI-400-2/4-R-...	3~400	50	1.5 / 0.37	8400 / 4200	55 / 13.9	18.6 / 9.3	2880 / 1440	-25...+55 °C	55 °C		
	AXIS-JET-KI-400-2/4-R...-200/2								200 °C/2 h	F200		
	AXIS-JET-KI-400-2/4-R...-300/2								300 °C/2 h	F300		
	AXIS-JET-KI-400-2/4-R...-400/2								400 °C/2 h	F400		

* Smoke extraction mode: once for two hours

TECHNICAL DATA

Ø [mm]	Air flow direction	Number of speeds	Model	Unit voltage [V]	Frequency [Hz]	Power [kW]	Max. air capacity [m³/h]	Fan pull [N]	Air speed [m/s]	RPM	Operating temperature [°C]	Fire resistance
450	Unidirectional	1	AXIS-JET-KI-450-2-U-...	3~400	50	1.5	10700	71	18.7	2880	-25...+55 °C	55 °C
			AXIS-JET-KI-450-2-U...-200/2								200 °C/2 h	F200
			AXIS-JET-KI-450-2-U...-300/2								300 °C/2 h	F300
			AXIS-JET-KI-450-2-U...-400/2								400 °C/2 h	F400
		AXIS-JET-KI-450M-2-U-...	3~400	50	2.2	11900	88	20.8	2880	-25...+55 °C	55 °C	
		AXIS-JET-KI-450M-2-U...-200/2								200 °C/2 h	F200	
		AXIS-JET-KI-450M-2-U...-300/2								300 °C/2 h	F300	
		AXIS-JET-KI-450M-2-U...-400/2								400 °C/2 h	F400	
		AXIS-JET-KI-450S-2-U-...	3~400	50	3	12800	106	22.4	2880	-25...+55 °C	55 °C	
		AXIS-JET-KI-450S-2-U...-200/2								200 °C/2 h	F200	
		AXIS-JET-KI-450S-2-U...-300/2								300 °C/2 h	F300	
		AXIS-JET-KI-450S-2-U...-400/2								400 °C/2 h	F400	
	2	3~400	50	1.5 / 0.37	10700 / 5300	71 / 18	18.7 / 9.3	2880 / 1440	-25...+55 °C	55 °C		
									AXIS-JET-KI-450-2/4-U...-200/2	200 °C/2 h	F200	
									AXIS-JET-KI-450-2/4-U...-300/2	300 °C/2 h	F300	
									AXIS-JET-KI-450-2/4-U...-400/2	400 °C/2 h	F400	
		AXIS-JET-KI-450M-2/4-U-...	3~400	50	2.2 / 0.5	11900 / 5900	88 / 22	20.8 / 10.3	2880 / 1440	-25...+55 °C	55 °C	
		AXIS-JET-KI-450M-2/4-U...-200/2								200 °C/2 h	F200	
		AXIS-JET-KI-450M-2/4-U...-300/2								300 °C/2 h	F300	
		AXIS-JET-KI-450M-2/4-U...-400/2								400 °C/2 h	F400	
		AXIS-JET-KI-450S-2/4-U-...	3~400	50	2.5 / 0.65	12800 / 6400	106 / 26	22.4 / 11.2	2880 / 1440	-25...+55 °C	55 °C	
		AXIS-JET-KI-450S-2/4-U...-200/2								200 °C/2 h	F200	
		AXIS-JET-KI-450S-2/4-U...-300/2								300 °C/2 h	F300	
		AXIS-JET-KI-450S-2/4-U...-400/2								400 °C/2 h	F400	
Reversible	1	3~400	50	1.5	10100	63	17.6	2880	-25...+55 °C	55 °C		
									AXIS-JET-KI-450-2-R...-200/2	200 °C/2 h	F200	
									AXIS-JET-KI-450-2-R...-300/2	300 °C/2 h	F300	
									AXIS-JET-KI-450-2-R...-400/2	400 °C/2 h	F400	
		AXIS-JET-KI-450M-2-R-...	3~400	50	2.2	11500	82	20	2880	-25...+55 °C	55 °C	
		AXIS-JET-KI-450M-2-R...-200/2								200 °C/2 h	F200	
	AXIS-JET-KI-450M-2-R...-300/2	300 °C/2 h								F300		
	AXIS-JET-KI-450M-2-R...-400/2	400 °C/2 h								F400		
	AXIS-JET-KI-450S-2-R-...	3~400	50	3	12200	96	21.3	2880	-25...+55 °C	55 °C		
	AXIS-JET-KI-450S-2-R...-200/2								200 °C/2 h	F200		
	AXIS-JET-KI-450S-2-R...-300/2								300 °C/2 h	F300		
	AXIS-JET-KI-450S-2-R...-400/2								400 °C/2 h	F400		
2	3~400	50	1.5 / 0.37	10100 / 5000	63 / 16	17.6 / 8.8	2880 / 1440	-25...+55 °C	55 °C			
								AXIS-JET-KI-450-2/4-R...-200/2	200 °C/2 h	F200		
								AXIS-JET-KI-450-2/4-R...-300/2	300 °C/2 h	F300		
								AXIS-JET-KI-450-2/4-R...-400/2	400 °C/2 h	F400		
	AXIS-JET-KI-450M-2/4-R-...	3~400	50	2.2 / 0.5	11500 / 5700	82 / 20	20 / 10	2880 / 1440	-25...+55 °C	55 °C		
	AXIS-JET-KI-450M-2/4-R...-200/2								200 °C/2 h	F200		
AXIS-JET-KI-450M-2/4-R...-300/2	300 °C/2 h								F300			
AXIS-JET-KI-450M-2/4-R...-400/2	400 °C/2 h								F400			
AXIS-JET-KI-450S-2/4-R-...	3~400	50	2.5 / 0.65	12200 / 6000	96 / 24	21.3 / 10.4	2880 / 1440	-25...+55 °C	55 °C			
AXIS-JET-KI-450S-2/4-R...-200/2								200 °C/2 h	F200			
AXIS-JET-KI-450S-2/4-R...-300/2								300 °C/2 h	F300			
AXIS-JET-KI-450S-2/4-R...-400/2								400 °C/2 h	F400			

* Smoke extraction mode: once for two hours

AXIS-JET, CENTRO-JET

Ø [mm]	Air flow direction	Number of speeds	Model	Unit voltage [V]	Frequency [Hz]	Power [kW]	Max. air capacity [m³/h]	Fan pull [N]	Air speed [m/s]	RPM	Operating temperature [°C]	Fire resistance
500	Unidirectional	2	AXIS-JET-KI-500-2/4-U-...	3~400	50	3.1 / 0.8	16600 / 8200	143 / 36	23.6 / 11.6	2880 / 1440	-25...+55 °C	55 °C
			AXIS-JET-KI-500-2/4-U-...-200/2								200 °C/2 h	F200
			AXIS-JET-KI-500-2/4-U-...-300/2								300 °C/2 h	F300
			AXIS-JET-KI-500-2/4-U-...-400/2								400 °C/2 h	F400
			AXIS-JET-KI-500M-2/4-U-...								-25...+55 °C	55 °C
			AXIS-JET-KI-500M-2/4-U-...-200/2								200 °C/2 h	F200
	AXIS-JET-KI-500M-2/4-U-...-300/2	300 °C/2 h	F300									
	AXIS-JET-KI-500M-2/4-U-...-400/2	400 °C/2 h	F400									
	Reversible	2	AXIS-JET-KI-500-2/4-R-...	3~400	50	2.5 / 0.65	14100 / 7000	103 / 25	20 / 10	2880 / 1440	-25...+55 °C	55 °C
			AXIS-JET-KI-500-2/4-R-...-200/2								200 °C/2 h	F200
			AXIS-JET-KI-500-2/4-R-...-300/2								300 °C/2 h	F300
			AXIS-JET-KI-500-2/4-R-...-400/2								400 °C/2 h	F400
AXIS-JET-KI-500M-2/4-R-...			-25...+55 °C								55 °C	
AXIS-JET-KI-500M-2/4-R-...-200/2			200 °C/2 h								F200	
AXIS-JET-KI-500M-2/4-R-...-300/2	300 °C/2 h	F300										
AXIS-JET-KI-500M-2/4-R-...-400/2	400 °C/2 h	F400										
560	Unidirectional	2	AXIS-JET-KI-560-2/4-U-...	3~400	50	4.4 / 1.1	21400 / 10600	185 / 46	24.2 / 12	2880 / 1440	-25...+55 °C	55 °C
			AXIS-JET-KI-560-2/4-U-...-200/2								200 °C/2 h	F200
			AXIS-JET-KI-560-2/4-U-...-300/2								300 °C/2 h	F300
			AXIS-JET-KI-560-2/4-U-...-400/2								400 °C/2 h	F400
			AXIS-JET-KI-560M-2/4-U-...								-25...+55 °C	55 °C
			AXIS-JET-KI-560M-2/4-U-...-200/2								200 °C/2 h	F200
	AXIS-JET-KI-560M-2/4-U-...-300/2	300 °C/2 h	F300									
	AXIS-JET-KI-560M-2/4-U-...-400/2	400 °C/2 h	F400									
	Reversible	2	AXIS-JET-KI-560-2/4-R-...	3~400	50	4.4 / 1.1	18200 / 9000	134 / 33	20.5 / 10.2	2880 / 1440	-25...+55 °C	55 °C
			AXIS-JET-KI-560-2/4-R-...-200/2								200 °C/2 h	F200
			AXIS-JET-KI-560-2/4-R-...-300/2								300 °C/2 h	F300
			AXIS-JET-KI-560-2/4-R-...-400/2								400 °C/2 h	F400
AXIS-JET-KI-560M-2/4-R-...			-25...+55 °C								55 °C	
AXIS-JET-KI-560M-2/4-R-...-200/2			200 °C/2 h								F200	
AXIS-JET-KI-560M-2/4-R-...-300/2	300 °C/2 h	F300										
AXIS-JET-KI-560M-2/4-R-...-400/2	400 °C/2 h	F400										
630	Unidirectional	2	AXIS-JET-KI-630-2/4-U-...	3~400	50	12 / 3	30000 / 15000	298 / 74	26.8 / 13.4	2880 / 1440	-25...+55 °C	55 °C
			AXIS-JET-KI-630-2/4-U-...-200/2								200 °C/2 h	F200
			AXIS-JET-KI-630-2/4-U-...-300/2								300 °C/2 h	F300
			AXIS-JET-KI-630-2/4-U-...-400/2								400 °C/2 h	F400
			AXIS-JET-KI-630M-2/4-U-...								-25...+55 °C	55 °C
			AXIS-JET-KI-630M-2/4-U-...-200/2								200 °C/2 h	F200
	AXIS-JET-KI-630M-2/4-U-...-300/2	300 °C/2 h	F300									
	AXIS-JET-KI-630M-2/4-U-...-400/2	400 °C/2 h	F400									
	Reversible	2	AXIS-JET-KI-630-2/4-R-...	3~400	50	12 / 3	30000 / 15000	300 / 75	26.8 / 13.4	2880 / 1440	-25...+55 °C	55 °C
			AXIS-JET-KI-630-2/4-R-...-200/2								200 °C/2 h	F200
			AXIS-JET-KI-630-2/4-R-...-300/2								300 °C/2 h	F300
			AXIS-JET-KI-630-2/4-R-...-400/2								400 °C/2 h	F400
AXIS-JET-KI-630M-2/4-R-...			-25...+55 °C								55 °C	
AXIS-JET-KI-630M-2/4-R-...-200/2			200 °C/2 h								F200	
AXIS-JET-KI-630M-2/4-R-...-300/2	300 °C/2 h	F300										
AXIS-JET-KI-630M-2/4-R-...-400/2	400 °C/2 h	F400										

* Smoke extraction mode: once for two hours