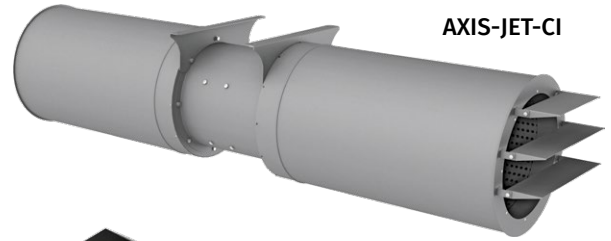


AXIS-JET

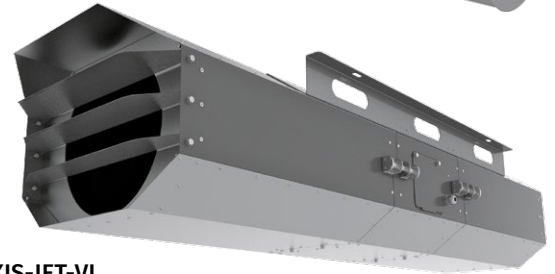
Jet axial fans

Use

- The **Axis-Jet** axial fans are designed for general purpose ventilation of underground and semiopened parking, ventilation of tunnels, smoke extraction in case of fire as a part of smoke extract system. The fans generate a high-speed and high-pressure directed air jet.
- Temperatures of the transported medium: in continuous operation up to +55 °C; in smoke extraction mode: 300 °C/2 hrs and 400 °C/2 hrs
- Functionality. Power. Efficiency.



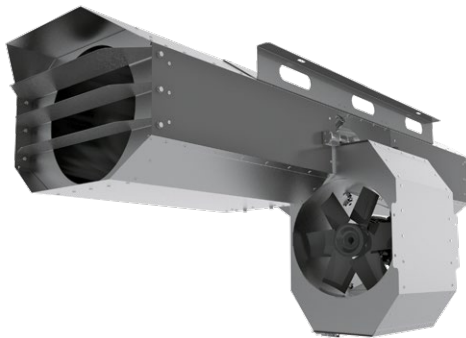
AXIS-JET-CI



AXIS-JET-VI

Design

- The casing of the **Axis-Jet** fan is made of polymer coated steel. The fans are available in two casing versions: cylindrical and octagonal.
- The casing includes inner brackets for motor fixation. These brackets act as directing vanes and distribute air flow uniformly, thus increasing aerodynamic performances of the fan. The fan has a sound insulation of mineral wool.
- The fan in an octagonal casing **Axis-Jet-VI** has a reduced height, a hinged hatch for electrical installation with captive bolts and a detachable middle part for maintenance.



Motor

- Three-phase asynchronous short-circuit rotor motor is installed inside the fan casing. Motor ingress protection rating is IP55. The motor design ensures operation of the fan in the smoke extract systems and/or general ventilation systems in unidirectional and reversible modes. The motors are designed for 400 V mains voltage and 50 Hz mains frequency.

Impeller

- The dynamically balanced impeller is made of cast aluminium alloy (for fans of smoke extraction systems) or of glass-fiber reinforced polyamide (for fans of general industrial use).
- The reversible fans are equipped with 100 % reversible two-directional impeller.

Mounting

- The **Axis-Jet** fans are designed for horizontal ceiling mounting and fixation by means of the supplied fixing brackets attached to the fan casing.

Modifications

- Unidirectional single-speed type (U)
- Unidirectional double-speed type (U)
- Reversible single-speed (R)
- Reversible double-speed (R)

The fans with the fire resistance rating 200 °C/2 hrs can be manufactured on special request.

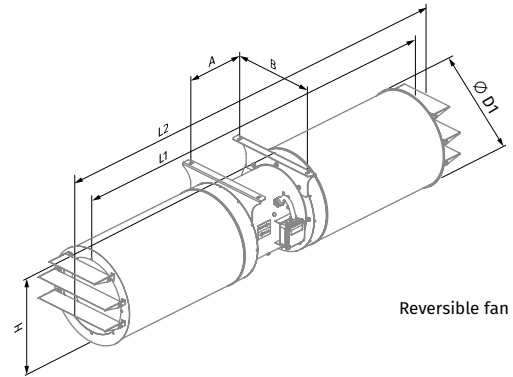
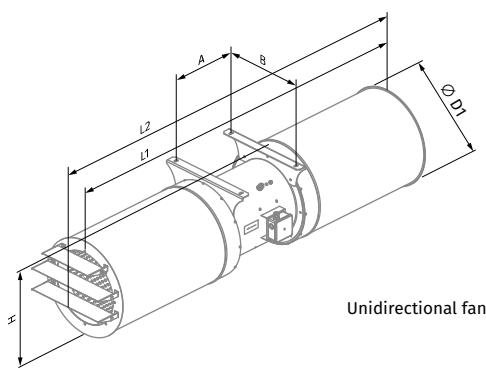
Designation key

Model	Casing type	Casing insulation	Diameter [mm]	Motor	Number of poles	Air flow	Fire resistance limit/hrs
AXIS-JET: jet axial fan	- C: round V: octagonal	- : without sound-insulation I: sound-insulated casing	- 315; 355; 400; 450; 500; 560; 630	- : standard motor M, S: model with a high-power motor	- 2 2/4 (applicable for double-speed motors)	- U: unidirectional R: reversible	- : max. +55 °C 300/2: 300 °C/2 h 400/2: 400 °C/2 h

Overall dimensions [mm]

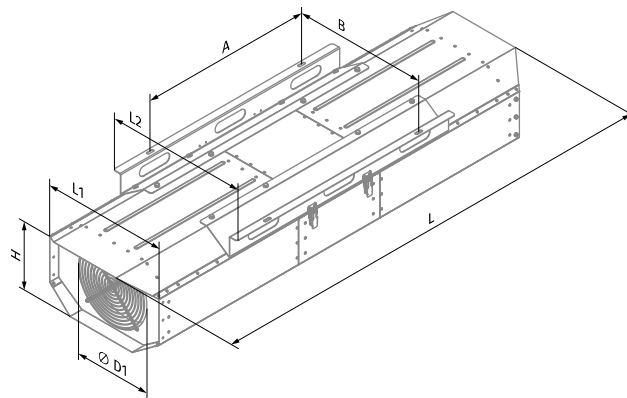
AXIS-JET-CI

Model	Ø D1	A	B	H	L1	L2	Weight [kg]
Unidirectional							
Axis-Jet-CI-315-U	414	302	355	425	1654	1763	40
Axis-Jet-CI-355-U	467	302	420	482	1954	2079	50
Axis-Jet-CI-400-U	515	351	460	525	2004	2129	65
Axis-Jet-CI-450-U	565	351	500	575	2004	2129	85
Axis-Jet-CI-500-U	603	371	580	620	2004	2145	110
Axis-Jet-CI-560-U	663	446	620	678	2093	2247	155
Axis-Jet-CI-630-U	733	550	710	748	2193	2357	245
Reversible							
Axis-Jet-CI-315-R	414	302	355	425	1654	1872	40
Axis-Jet-CI-355-R	467	302	420	482	1954	2202	50
Axis-Jet-CI-400-R	515	351	460	525	2004	2253	65
Axis-Jet-CI-450-R	565	351	500	575	2004	2253	85
Axis-Jet-CI-500-R	603	371	580	620	2004	2290	110
Axis-Jet-CI-560-R	663	446	620	678	2093	2400	155
Axis-Jet-CI-630-R	733	550	710	748	2193	2520	245



AXIS-JET-VI

Model	Ø D1	A	B	H	L	L1	L2	Weight [kg]
Unidirectional								
Axis-Jet-VI-315-U	315	700	542	347	1846	507	572	58
Axis-Jet-VI-355-U	355	700	583	388	2046	546	613	75
Axis-Jet-VI-400-U	400	750	632	434	2296	590	667	95
Reversible								
Axis-Jet-VI-315-R	315	700	542	347	1846	507	572	58
Axis-Jet-VI-355-R	355	700	583	388	2046	546	613	75
Axis-Jet-VI-400-R	400	750	632	434	2296	590	667	95



Technical data
AXIS-JET-CI

∅ [mm]	Air flow direction	Number of speeds	Model	Power [kW]	Max. air flow [m³/h]	Fan pull [N]	Air speed [m/s]	RPM	Operating temperature [°C]	Sound pressure LpA, dB in 3 m			
315	Unidirectional	1	Axis-Jet-CI-315-2-U	0.55	4520	26	17.2	2880	-25...+55 °C	63			
			Axis-Jet-CI-315-2-U-300/2				300 °C/2 h*		63				
			Axis-Jet-CI-315-2-U-400/2			14	12.4		400 °C/2 h*	63			
		2	Axis-Jet-CI-315M-2-U	0.75	4990	32	19	2880	-25...+55 °C	64			
			Axis-Jet-CI-315M-2-U-300/2				300 °C/2 h*		64				
			Axis-Jet-CI-315M-2-U-400/2			17	13.6		400 °C/2 h*	65			
			Axis-Jet-CI-315-2/4-U	0.55/0.11	4520/2260	26/7	17.2/8.6	2880/1440	-25...+55 °C	63/48			
			Axis-Jet-CI-315-2/4-U-300/2				12.4/6.18		300 °C/2 h*	63/48			
			Axis-Jet-CI-315-2/4-U-400/2			14/4			400 °C/2 h*	63/48			
		Reversible	1	Axis-Jet-CI-315M-2/4-U	0.8/0.2	4990/2490	32/8	19/9.5	2880/1440	-25...+55 °C	64/49		
				Axis-Jet-CI-315M-2/4-U-300/2				300 °C/2 h*		64/49			
				Axis-Jet-CI-315M-2/4-U-400/2			17/5	13.6/6.8		400 °C/2 h*	65/50		
			2	Axis-Jet-CI-315-2-R	0.55	4190	23	15.9	2880	-25...+55 °C	67		
				Axis-Jet-CI-315-2-R-300/2				300 °C/2 h*		67			
				Axis-Jet-CI-315-2-R-400/2			12	11.4		400 °C/2 h*	68		
355	Unidirectional	1	Axis-Jet-CI-355-2-U	0.75	5830	34	17.3	2880	-25...+55 °C	65			
			Axis-Jet-CI-355-2-U-300/2				4880		24	14.5	300 °C/2 h*	65	
			Axis-Jet-CI-355-2-U-400/2				4880		24	14.5	400 °C/2 h*	65	
		2	Axis-Jet-CI-355M-2-U	1.1	6740	45	20.0	2880	-25...+55 °C	64			
			Axis-Jet-CI-355M-2-U-300/2				300 °C/2 h*		64				
			Axis-Jet-CI-355M-2-U-400/2			29	15.9		400 °C/2 h*	67			
			Axis-Jet-CI-355-2/4-U	0.8/0.2	5830/3000	34/9	17.3/8.9	2880/1440	-25...+55 °C	65/50			
			Axis-Jet-CI-355-2/4-U-300/2				14.5/7.3		300 °C/2 h*	65/50			
			Axis-Jet-CI-355-2/4-U-400/2			24/6			400 °C/2 h*	65/50			
		Reversible	1	Axis-Jet-CI-355M-2/4-U	1.1/0.25	6740/3370	45/12	20.0/10.0	2880/1440	-25...+55 °C	64/49		
				Axis-Jet-CI-355M-2/4-U-300/2				300 °C/2 h*		64/49			
				Axis-Jet-CI-355M-2/4-U-400/2			29/8	15.9/8		400 °C/2 h*	67/52		
			2	Axis-Jet-CI-355-2-R	1.1	5810	34	17.3	2880	-25...+55 °C	68		
				Axis-Jet-CI-355-2-R-300/2				300 °C/2 h*		68			
				Axis-Jet-CI-355-2-R-400/2			27	15.3		400 °C/2 h*	70		
400	Unidirectional	1	Axis-Jet-CI-400-2-U	1.1	8500	57	20.0	2880	-25...+55 °C	69			
			Axis-Jet-CI-400-2-U-300/2				6970		39	16.4	300 °C/2 h*	69	
			Axis-Jet-CI-400-2-U-400/2				6970		39	16.4	400 °C/2 h*	70	
		2	Axis-Jet-CI-400M-2-U	2.2	9870	77	23.2	2880	-25...+55 °C	67			
			Axis-Jet-CI-400M-2-U-300/2				300 °C/2 h*		67				
			Axis-Jet-CI-400M-2-U-400/2			57	20		400 °C/2 h*	69			
			Axis-Jet-CI-400-2/4-U	1.1/0.25	8500/4250	57/15	20.0/10.0	2880/1440	-25...+55 °C	69/54			
			Axis-Jet-CI-400-2/4-U-300/2				16.4/8.2		300 °C/2 h*	69/54			
			Axis-Jet-CI-400-2/4-U-400/2			39/10			400 °C/2 h*	70/55			
		Reversible	1	Axis-Jet-CI-400M-2/4-U	2.2/0.5	9870/4930	77/20	23.2/11.6	2880/1440	-25...+55 °C	67/52		
				Axis-Jet-CI-400M-2/4-U-300/2				300 °C/2 h*		67/52			
				Axis-Jet-CI-400M-2/4-U-400/2			57/15	20/10		400 °C/2 h*	69/54		
			2	Axis-Jet-CI-400-2-R	1.5	8290	54	19.5	2880	-25...+55 °C	70		
				Axis-Jet-CI-400-2-R-300/2				7140		40	16.8	300 °C/2 h*	70
				Axis-Jet-CI-400-2-R-400/2				7140		40	16.8	400 °C/2 h*	71
2	Axis-Jet-CI-400-2/4-R	1.5/0.37	8290/4140	54/14	19.5/9.7	2880/1440	-25...+55 °C	70/55					
	Axis-Jet-CI-400-2/4-R-300/2				300 °C/2 h*		70/55						
	Axis-Jet-CI-400-2/4-R-400/2			40/10	16.8/8.4		400 °C/2 h*	71/56					

* Smoke extraction mode: once for two hours

AXIS-JET-CI

Ø [mm]	Air flow direction	Number of speeds	Model	Power [kW]	Max. air flow [m³/h]	Fan pull [N]	Air speed [m/s]	RPM	Operating temperature [°C]	Sound pressure LpA, dB in 3 m			
450	Unidirectional	1	Axis-Jet-CI-450-2-U	1.5	10400	67	19.3	2880	-25...+55 °C	67			
			Axis-Jet-CI-450-2-U-300/2						300 °C/2 h*	67			
			Axis-Jet-CI-450-2-U-400/2						400 °C/2 h*	67			
		2	1	Axis-Jet-CI-450M-2-U	2.2	12800	100	23.3	2850	-25...+55 °C	70		
				Axis-Jet-CI-450M-2-U-300/2						300 °C/2 h*	70		
				Axis-Jet-CI-450M-2-U-400/2						400 °C/2 h*	70		
			2	1	Axis-Jet-CI-450S-2-U	3	14100	124	26.2	2890	-25...+55 °C	69	
					Axis-Jet-CI-450S-2-U-300/2						300 °C/2 h*	69	
					Axis-Jet-CI-450S-2-U-400/2						400 °C/2 h*	72	
		Reversible	1	1	Axis-Jet-CI-450-2/4-U	1.5/0.37	10400/5220	67/17	19.3/9.7	2880/1440	-25...+55 °C	67/52	
					Axis-Jet-CI-450-2/4-U-300/2		300 °C/2 h*	67/52					
					Axis-Jet-CI-450-2/4-U-400/2		400 °C/2 h*	67/52					
				2	1	Axis-Jet-CI-450M-2/4-U	2.2/0.5	12800/6290	100/25	23.3/11.7	2880/1440	-25...+55 °C	70/55
						Axis-Jet-CI-450M-2/4-U-300/2		300 °C/2 h*	70/55				
						Axis-Jet-CI-450M-2/4-U-400/2		400 °C/2 h*	70/55				
	2		1	Axis-Jet-CI-450S-2/4-U	3.1/0.8	14100/7070	124/31	26.2/13.1	2880/1440	-25...+55 °C	69/54		
				Axis-Jet-CI-450S-2/4-U-300/2		300 °C/2 h*	69/54						
				Axis-Jet-CI-450S-2/4-U-400/2		400 °C/2 h*	72/57						
	Reversible		1	1	Axis-Jet-CI-450-2-R	1.5	9280	54	17.2	2880	-25...+55 °C	73	
					Axis-Jet-CI-450-2-R-300/2		300 °C/2 h*	73					
					Axis-Jet-CI-450-2-R-400/2		400 °C/2 h*	71					
				2	1	Axis-Jet-CI-450M-2-R	2.2	10400	67	19.2	2850	-25...+55 °C	72
						Axis-Jet-CI-450M-2-R-300/2		300 °C/2 h*	72				
						Axis-Jet-CI-450M-2-R-400/2		400 °C/2 h*	73				
		2	1	Axis-Jet-CI-450S-2-R	3	12800	102	23.7	2890	-25...+55 °C	74		
				Axis-Jet-CI-450S-2-R-300/2		300 °C/2 h*	74						
				Axis-Jet-CI-450S-2-R-400/2		400 °C/2 h*	74						
		2	1	Axis-Jet-CI-450-2/4-R	1.5/0.37	9280/4640	54/14	17.2/8.6	2880/1440	-25...+55 °C	73/58		
				Axis-Jet-CI-450-2/4-R-300/2		300 °C/2 h*	73/58						
				Axis-Jet-CI-450-2/4-R-400/2		400 °C/2 h*	71/56						
2			1	Axis-Jet-CI-450M-2/4-R	2.2/0.5	10400/5190	67/17	19.2/9.6	2880/1440	-25...+55 °C	72/57		
				Axis-Jet-CI-450M-2/4-R-300/2		300 °C/2 h*	72/57						
				Axis-Jet-CI-450M-2/4-R-400/2		400 °C/2 h*	73/58						
2	1		Axis-Jet-CI-450S-2/4-R	3.1/0.8	12800/6400	102/26	23.7/11.9	2880/1440	-25...+55 °C	74/59			
			Axis-Jet-CI-450S-2/4-R-300/2		300 °C/2 h*	74/59							
			Axis-Jet-CI-450S-2/4-R-400/2		400 °C/2 h*	74/59							
500	Unidirectional	2	Axis-Jet-CI-500-2/4-U	3.1/0.8	16200/8120	132/34	24.3/12.2	2880/1440	-25...+55 °C	72/57			
			Axis-Jet-CI-500-2/4-U-300/2		300 °C/2 h*	72/57							
			Axis-Jet-CI-500-2/4-U-400/2		400 °C/2 h*	70/55							
		2	1	Axis-Jet-CI-500M-2/4-U	4.4/1.1	18500/9240	171/43	27.7/13.8	2880/1440	-25...+55 °C	72/57		
				Axis-Jet-CI-500M-2/4-U-300/2		300 °C/2 h*	72/57						
				Axis-Jet-CI-500M-2/4-U-400/2		400 °C/2 h*	74/59						
	Reversible	2	Axis-Jet-CI-500-2/4-R	3.1/0.8	14500/7250	105/27	21.7/10.8	2880/1440	-25...+55 °C	77/62			
			Axis-Jet-CI-500-2/4-R-300/2		300 °C/2 h*	77/62							
			Axis-Jet-CI-500-2/4-R-400/2		400 °C/2 h*	75/60							
		2	1	Axis-Jet-CI-500M-2/4-R	4.4/1.1	16600/8310	138/35	24.8/12.4	2880/1440	-25...+55 °C	76/61		
				Axis-Jet-CI-500M-2/4-R-300/2		300 °C/2 h*	76/61						
				Axis-Jet-CI-500M-2/4-R-400/2		400 °C/2 h*	77/62						
560	Unidirectional	2	Axis-Jet-CI-560-2/4-U	4.4/1.1	20200/10100	167/42	24.7/12.4	2880/1440	-25...+55 °C	74/59			
			Axis-Jet-CI-560-2/4-U-300/2		300 °C/2 h*	74/59							
			Axis-Jet-CI-560-2/4-U-400/2		400 °C/2 h*	74/59							
		2	1	Axis-Jet-CI-560M-2/4-U	8/2	25100/12500	257/64	30.7/15.3	2880/1440	-25...+55 °C	76/61		
				Axis-Jet-CI-560M-2/4-U-300/2		300 °C/2 h*	76/61						
				Axis-Jet-CI-560M-2/4-U-400/2		400 °C/2 h*	77/62						
	Reversible	2	Axis-Jet-CI-560-2/4-R	4.4/1.1	16800/8410	115/29	20.5/10.3	2880/1440	-25...+55 °C	77/62			
			Axis-Jet-CI-560-2/4-R-300/2		300 °C/2 h*	77/62							
			Axis-Jet-CI-560-2/4-R-400/2		400 °C/2 h*	77/62							
		2	1	Axis-Jet-CI-560M-2/4-R	6/1.5	21100/10500	182/46	25.8/12.9	2880/1440	-25...+55 °C	79/64		
				Axis-Jet-CI-560M-2/4-R-300/2		300 °C/2 h*	79/64						
				Axis-Jet-CI-560M-2/4-R-400/2		400 °C/2 h*	77/62						

* Smoke extraction mode: once for two hours

AXIS-JET-CI

Ø [mm]	Air flow direction	Number of speeds	Model	Power [kW]	Max. air flow [m³/h]	Fan pull [N]	Air speed [m/s]	RPM	Operating temperature [°C]	Sound pressure LpA, dB in 3 m
630	Unidirectional	2	Axis-Jet-CI-630-2/4-U	12/3	31500/15700	320/80	30.4/15.2	2880/1440	-25...+55 °C	79/64
			Axis-Jet-CI-630-2/4-U-300/2						300 °C/2 h*	79/64
			Axis-Jet-CI-630-2/4-U-400/2						400 °C/2 h*	77/62
			Axis-Jet-CI-630M-2/4-U	16/4	35200/17650	399/101	34/17		-25...+55 °C	81/66
			Axis-Jet-CI-630M-2/4-U-300/2						300 °C/2 h*	81/66
			Axis-Jet-CI-630M-2/4-U-400/2						400 °C/2 h*	78/63
	Reversible	2	Axis-Jet-CI-630-2/4-R	12/3	26700/13400	230/58	25.8/12.9	2880/1440	-25...+55 °C	85/70
			Axis-Jet-CI-630-2/4-R-300/2						300 °C/2 h*	85/70
			Axis-Jet-CI-630-2/4-R-400/2						400 °C/2 h*	82/67
			Axis-Jet-CI-630M-2/4-R	16/4	29100/14600	274/69	28.2/14.1		-25...+55 °C	86/71
			Axis-Jet-CI-630M-2/4-R-300/2						300 °C/2 h*	86/71
			Axis-Jet-CI-630M-2/4-R-400/2						400 °C/2 h*	82/67

* Smoke extraction mode: once for two hours

AXIS-JET-VI

Ø [mm]	Air flow direction	Number of speeds	Model	Power [kW]	Max. air flow [m³/h]	Fan pull [N]	Air speed [m/s]	RPM	Operating temperature °C	Sound pressure LpA, dB in 3 m		
315	Unidirectional	1	Axis-Jet-VI-315-2-U	0.55	4520	26	17.2	2880	-25...+55 °C	63		
			Axis-Jet-VI-315-2-U-300/2				300 °C/2 h*		63			
			Axis-Jet-VI-315-2-U-400/2			3250	14		12.4	400 °C/2 h*	63	
		2	0.75	Axis-Jet-VI-315M-2-U	0.75	4990	32	19	2880	-25...+55 °C	64	
				Axis-Jet-VI-315M-2-U-300/2				300 °C/2 h*		64		
				Axis-Jet-VI-315M-2-U-400/2			3590	17		13.6	400 °C/2 h*	65
			0.55/0.11	Axis-Jet-VI-315-2/4-U	0.55/0.11	4520/2260	26/7	17.2/8.6	2880/1440	-25...+55 °C	63/48	
				Axis-Jet-VI-315-2/4-U-300/2				300 °C/2 h*		63/48		
				Axis-Jet-VI-315-2/4-U-400/2			3250/1630	14/4		12.4/6.18	400 °C/2 h*	63/48
				Axis-Jet-VI-315M-2/4-U							-25...+55 °C	64/49
	0.8/0.2	Axis-Jet-VI-315M-2/4-U-300/2	0.8/0.2	4990/2490	32/8	19/9.5	2880/1440	300 °C/2 h*	64/49			
		Axis-Jet-VI-315M-2/4-U-400/2						400 °C/2 h*	65/50			
		Axis-Jet-VI-315-2-R		0.55	4190	23		15.9	2880	-25...+55 °C	67	
		Axis-Jet-VI-315-2-R-300/2						300 °C/2 h*		67		
		Axis-Jet-VI-315-2-R-400/2				3010		12		11.4	400 °C/2 h*	68
2	0.55/0.11	Axis-Jet-VI-315-2/4-R	0.55/0.11	4180/2100	23/6	15.9/7.9	2880/1440	-25...+55 °C	67/52			
		Axis-Jet-VI-315-2/4-R-300/2				300 °C/2 h*		67/52				
		Axis-Jet-VI-315-2/4-R-400/2			3010/1510	12/3		11.4/5.7	400 °C/2 h*	68/53		
355	Unidirectional	1	Axis-Jet-VI-355-2-U	0.75	5830	34	17.3	2880	-25...+55 °C	65		
			Axis-Jet-VI-355-2-U-300/2				300 °C/2 h*		65			
			Axis-Jet-VI-355-2-U-400/2			4880	24		14.5	400 °C/2 h*	65	
		2	1.1	Axis-Jet-VI-355M-2-U	1.1	6740	45	20.0	2880	-25...+55 °C	64	
				Axis-Jet-VI-355M-2-U-300/2				300 °C/2 h*		64		
				Axis-Jet-VI-355M-2-U-400/2			5360	29		15.9	400 °C/2 h*	67
			0.8/0.2	Axis-Jet-VI-355-2/4-U	0.8/0.2	5830/3000	34/9	17.3/8.9	2880/1440	-25...+55 °C	65/50	
				Axis-Jet-VI-355-2/4-U-300/2				300 °C/2 h*		65/50		
				Axis-Jet-VI-355-2/4-U-400/2			4880/2440	24/6		14.5/7.3	400 °C/2 h*	65/50
				Axis-Jet-VI-355M-2/4-U							-25...+55 °C	64/49
	1.1/0.25	Axis-Jet-VI-355M-2/4-U-300/2	1.1/0.25	6740/3370	45/12	20.0/10.0	2880/1440	300 °C/2 h*	64/49			
		Axis-Jet-VI-355M-2/4-U-400/2						400 °C/2 h*	67/52			
		Axis-Jet-VI-355-2-R		1.1	5810	34		17.3	2880	-25...+55 °C	68	
		Axis-Jet-VI-355-2-R-300/2						300 °C/2 h*		68		
		Axis-Jet-VI-355-2-R-400/2				5160		27		15.3	400 °C/2 h*	70
2	1.1/0.25	Axis-Jet-VI-355-2/4-R	1.1/0.25	5810/2900	34/9	17.3/8.6	2810/1390	-25...+55 °C	68/53			
		Axis-Jet-VI-355-2/4-R-300/2				300 °C/2 h*		68/53				
		Axis-Jet-VI-355-2/4-R-400/2			5160/2580	27/7		15.3/7.7	400 °C/2 h*	70/55		
400	Unidirectional	1	Axis-Jet-VI-400-2-U	1.1	8500	57	20.0	2880	-25...+55 °C	69		
			Axis-Jet-VI-400-2-U-300/2				300 °C/2 h*		69			
			Axis-Jet-VI-400-2-U-400/2			6970	39		16.4	400 °C/2 h*	70	
		2	2.2	Axis-Jet-VI-400M-2-U	2.2	9870	77	23.2	2880	-25...+55 °C	67	
				Axis-Jet-VI-400M-2-U-300/2				300 °C/2 h*		67		
				Axis-Jet-VI-400M-2-U-400/2			8500	57		20	400 °C/2 h*	69
			1.1/0.25	Axis-Jet-VI-400-2/4-U	1.1/0.25	8500/4250	57/15	20.0/10.0	2880/1440	-25...+55 °C	69/54	
				Axis-Jet-VI-400-2/4-U-300/2				300 °C/2 h*		69/54		
				Axis-Jet-VI-400-2/4-U-400/2			6970/3490	39/10		16.4/8.2	400 °C/2 h*	70/55
				Axis-Jet-VI-400M-2/4-U							-25...+55 °C	67/52
	2.2/0.5	Axis-Jet-VI-400M-2/4-U-300/2	2.2/0.5	9870/4930	77/20	23.2/11.6	2880/1440	300 °C/2 h*	67/52			
		Axis-Jet-VI-400M-2/4-U-400/2						400 °C/2 h*	69/54			
		Axis-Jet-VI-400-2-R		1.5	8290	54		19.5	2880	-25...+55 °C	70	
		Axis-Jet-VI-400-2-R-300/2						300 °C/2 h*		70		
		Axis-Jet-VI-400-2-R-400/2				7140		40		16.8	400 °C/2 h*	71
2	1.5/0.37	Axis-Jet-VI-400-2/4-R	1.5/0.37	8290/4140	54/14	19.5/9.7	2880/1440	-25...+55 °C	70/55			
		Axis-Jet-VI-400-2/4-R-300/2				300 °C/2 h*		70/55				
		Axis-Jet-VI-400-2/4-R-400/2			7140/3570	40/10		16.8/8.4	400 °C/2 h*	71/56		

* Smoke extraction mode: once for two hours