



Axial wall fans

Axis-QA

Air capacity – up to 1700 m³/h

■ Use

- Supply and exhaust ventilation systems installed in various premises.
- Mounting in ventilation systems with low static pressure requiring high air capacity.
- Direct air exhaust.

■ Design

- Compact steel casing covered with special polymer coating.
- Aluminium impeller.
- The casing is equipped with a square mounting plate and flange for easy surface wall mounting.
- The fan is equipped with a power cord and external terminal box for connection to power mains.

■ Motor

- Single-phase asynchronous motor with an internal rotor and an axial impeller.
- Motor with slide bearings.
- Integrated overheating protection with automatic restart.

■ Speed control

- Smooth speed control with an external thyristor controller or step speed control with an external auto transformer (both available upon separate order).

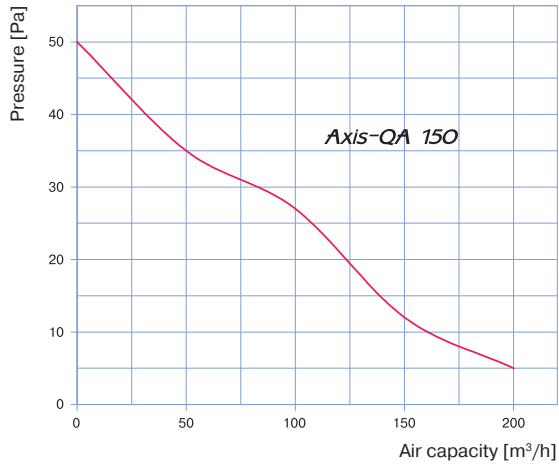
■ Mounting

- Wall surface mounting with a square connecting frame.
- Horizontal installation with respect to air flow direction in the system.
- Power supply through an external terminal box with electric lead-in.

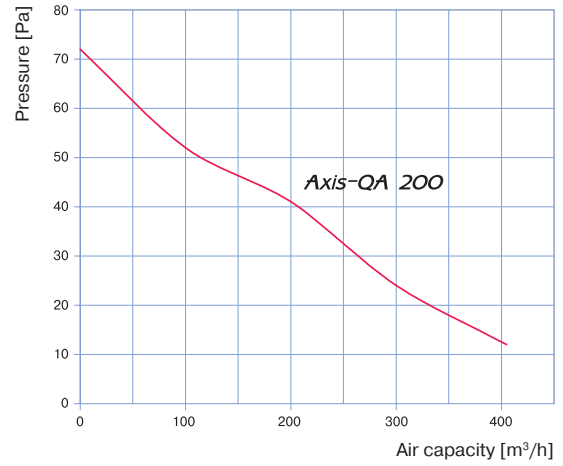
■ Specifications

Parameters	Axis-QA 150	Axis-QA 200	Axis-QA 250	Axis-QA 315
Voltage [V / 50 Hz]	230	230	230	230
Power [W]	36	43	68	110
Current [A]	0.26	0.28	0.48	0.75
Maximum air capacity [m ³ /h]	200	405	1070	1700
RPM [min ⁻¹]	1300	1300	1300	1300
Sound pressure level at 3 m distance [dBA]	33	32	48	54
Max. operating temperature [°C]	40	40	40	40
Ingress protection rating	IP24	IP24	IP24	IP24

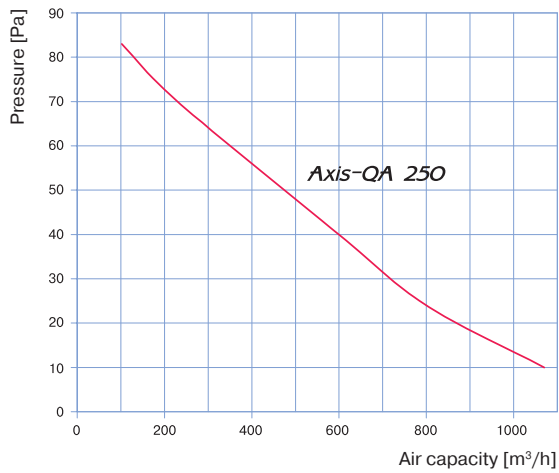
Specifications



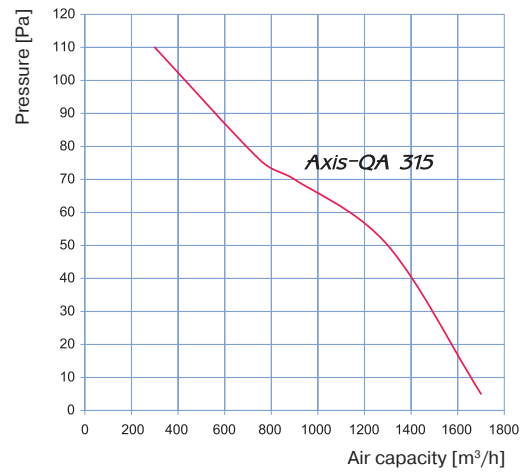
Sound-power level	Octave-frequency band [Hz]								
	Gen	63	125	250	500	1000	2000	4000	8000
L_{WA} to environment, [dBA]	46	47	56	45	35	30	31	31	20



Sound-power level	Octave-frequency band [Hz]								
	Gen	63	125	250	500	1000	2000	4000	8000
L_{WA} to environment, [dBA]	53	55	63	56	44	42	36	30	15

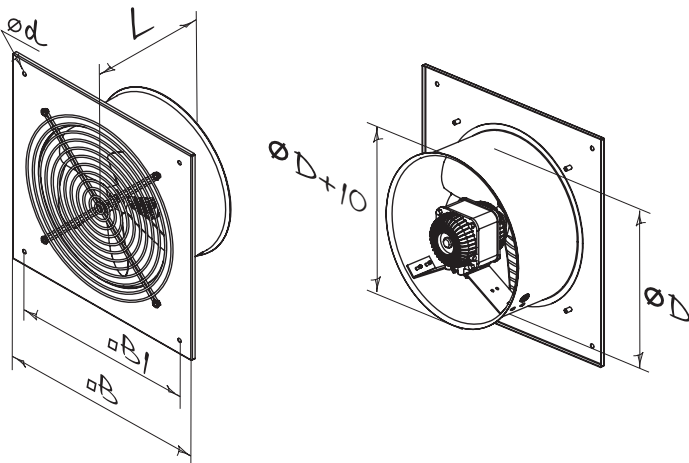


Sound-power level	Octave-frequency band [Hz]								
	Gen	63	125	250	500	1000	2000	4000	8000
L_{WA} to environment, [dBA]	59	61	70	60	43	46	41	34	19



Sound-power level	Octave-frequency band [Hz]								
	Gen	63	125	250	500	1000	2000	4000	8000
L_{WA} to environment, [dBA]	62	65	67	58	45	51	48	41	30

Overall dimensions



Type	Dimensions [mm]					Weight [kg]
	øD	ød	B	B1	L	
Axis-QA 150	162	7	250	210	120	2.10
Axis-QA 200	208	7	312	260	120	2.82
Axis-QA 250	262	7	370	320	140	4.88
Axis-QA 315	312	9	430	380	170	5.46