



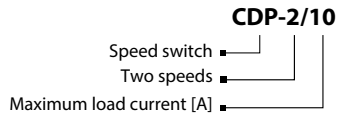
Speed switch CDP-2/10

PURPOSE

Applied in ventilation systems for turning the fans on/off and speed switch of multi-speed fan motors.

DELIVERY SET

Speed switch	1 pc.
User's manual	1 pc.
Packing box	1 pc.

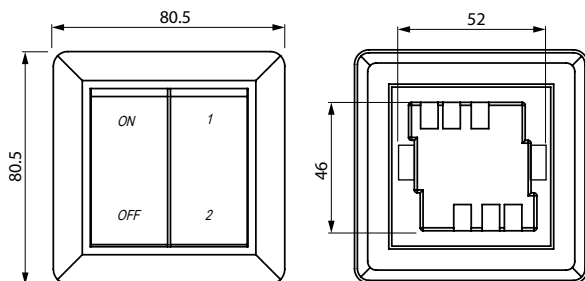


TECHNICAL DATA

External parts of the switch are made of non-combustible high impact ABS plastic. Operating mechanism of the switch is equipped with screw contacts. Screws with combination heads for use with a standard or a cross screwdriver.

Maximum supply voltage [V]	250
Maximum load current [A]	10
Cable cross section [mm ²]	from 0.35 up to 0.75
Temperature range [°C]	from -10 up to +45
Humidity range [%]	5 - 80 (no condensation)
Service life	1 000 000 switching operations
Electrical protection class	IP40
Weight [g]	98

OVERALL AND CONNECTING DIMENSIONS



INSTALLATION



MOUNTING AND CONNECTION OF THE ELECTRICAL EQUIPMENT SHOULD BE PERFORMED ONLY WHEN THE POWER SUPPLY IS SWITCHED OFF.

ALL THE OPERATIONS WITH THE SPEED SWITCH MUST BE PERFORMED BY QUALIFIED ELECTRICIANS WITH A WORK PERMIT FOR ELECTRIC OPERATIONS AND AFTER CAREFUL READING OF THE USER'S MANUAL.

ANY INTERNAL CONNECTION MODIFICATIONS ARE NOT ALLOWED AND RESULT IN WARRANTY LOSS.

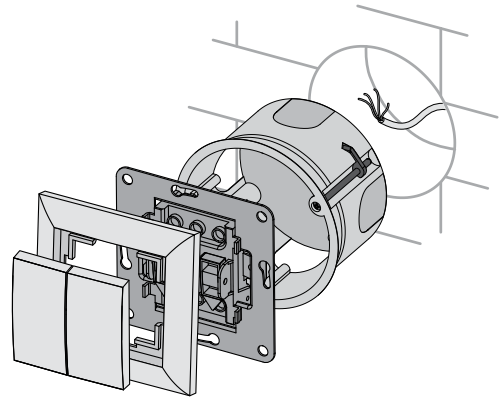
CAUTION!

Makes sure that the switch is intact. Do not use damaged speed switches. Do not mount the speed switch onto an uneven surface. While tightening the self-tapping screws do not apply excessive force to prevent speed controller casing deformation.

The speed switch is mounted into the mounting box using screws or fixing lugs. A mounting box and fasteners are not included in the delivery set.

Mounting of the speed switch:

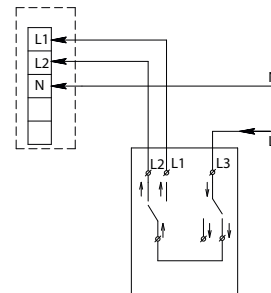
1. Make a niche in the wall for mounting of the speed switch, route the necessary wires and cables to the mounting place. Insert the mounting box in the niche.
2. Use a screwdriver to carefully remove the buttons.
3. Unlatch and remove the frame of the control unit.
4. Install the speed switch into the niche in the wall.
5. Install the frame and the buttons in the reverse order.



CONNECTION

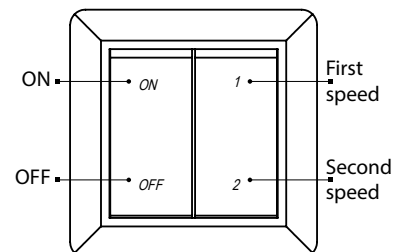
CAUTION! To avoid damaging the speed switch, prevent it from being overloaded. The maximum permissible load current is shown in the «Technical data» section. Protect the speed switch casing from ingress of foreign objects.

Check the contact arrangement before connecting the unit. Connect the speed switch according to the wiring diagram:



CONTROL

The two speed fan can be manually switched ON to one of the two required speeds or switched OFF using the speed switch buttons.



STORAGE AND TRANSPORTATION REGULATIONS

Store the unit in the manufacturer's original packing box in a dry closed ventilated premise with temperature range from +5 °C to + 40 °C. Storage environment must not contain aggressive vapours and chemical mixtures provoking corrosion, insulation, and sealing deformation. Use suitable hoist machinery for handling and storage operations to prevent possible damage to the unit. Follow the handling requirements applicable for the particular type of cargo. The unit can be carried in the original packaging by any mode of transport provided proper protection against precipitation and mechanical damage. Avoid sharp blows, scratches, or rough handling during loading and unloading.

MANUFACTURER'S WARRANTY

The manufacturer hereby warrants normal operation of the unit for 12 months after the retail sale date provided the user's observance of the transportation, storage, installation, and operation regulations. Should any malfunctions occur in the course of the unit operation through the Manufacturer's fault during the guaranteed period of operation the user is entitled to elimination of faults by the manufacturer by means of warranty repair at the factory free of charge. The warranty repair shall include work specific to elimination of faults in the unit operation to ensure its intended use by the user within the guaranteed period of operation. The faults are eliminated by means of replacement or repair of the unit components or a specific part of such unit component.

The warranty repair does not include:

- routine technical maintenance
- unit installation/dismantling
- unit setup

To benefit from warranty repair the user must provide the unit, the user's manual with the purchase date stamp and the payment document certifying the purchase. The unit model must comply with the one stated in the user's manual. **Contact the Seller for warranty service.**

The manufacturer's warranty does not apply to the following cases:

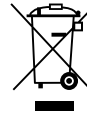
- User's failure to submit the unit with the entire delivery package as stated in the user's manual including submission with missing component parts previously dismantled by the user.
- Mismatch of the unit model and the brand name with the information stated on the unit packaging and in the user's manual.
- User's failure to ensure timely technical maintenance of the unit.
- External damage to the unit casing (excluding external modifications as required for installation) and internal components caused by the user.
- Redesign or engineering changes to the unit.
- Replacement and use of any assemblies, parts and components not approved by the manufacturer.
- Unit misuse.
- Violation of the unit installation regulations by the user.
- Violation of the unit control regulations by the user.
- Unit connection to power mains with a voltage different from the one stated in the user's manual.
- Unit breakdown due to voltage surges in power mains.
- Discretionary repair of the unit by the user.
- Unit repair by any persons without the manufacturer's authorization.
- Expiration of the unit warranty period.
- Violation of the unit transportation regulations by the user.
- Violation of the unit storage regulations by the user.
- Wrongful actions against the unit committed by third parties.

- Unit breakdown due to circumstances of insuperable force (fire, flood, earthquake, war, hostilities of any kind, blockades).
- Missing seals if provided by the user's manual.
- Failure to submit the user's manual with the unit purchase date stamp.
- Missing payment document certifying the unit purchase.



FOLLOWING THE REGULATIONS STIPULATED HEREIN WILL ENSURE A LONG AND TROUBLE-FREE OPERATION OF THE UNIT.

USERS' WARRANTY CLAIMS SHALL BE SUBJECT TO REVIEW ONLY UPON PRESENTATION OF THE UNIT, THE PAYMENT DOCUMENT AND THE USER'S MANUAL WITH THE PURCHASE DATE STAMP.



THE PRODUCT MUST BE DISPOSED SEPARATELY AT THE END OF ITS SERVICE LIFE. DO NOT DISPOSE THE UNIT AS UNSORTED MUNICIPAL WASTE.

SPEED SWITCH CDP-2/10
is recognized as serviceable.

Quality Inspector's Stamp

Manufacture Date _____

Seller

Name of retail company, stamp of the shop _____

Purchase Date _____