



HEAT AND ENERGY RECOVERY AIR HANDLING UNIT



KOMFORT EC DBE 300
KOMFORT EC DBE 550
KOMFORT EC DBE 900

EN

USER'S MANUAL

CONTENTS

| | |
|---|----|
| Safety requirements..... | 2 |
| Purpose..... | 5 |
| Delivery set..... | 5 |
| Designation key..... | 5 |
| Technical data..... | 6 |
| Design and operating principle..... | 8 |
| Mounting and set-up..... | 9 |
| Connection to power mains..... | 12 |
| Technical maintenance..... | 13 |
| Troubleshooting..... | 14 |
| Storage and transportation regulations..... | 14 |
| Manufacturer's warranty..... | 15 |
| Certificate of acceptance..... | 19 |
| Seller information..... | 19 |
| Installation certificate..... | 19 |
| Warranty card..... | 19 |

This user's manual is a main operating document intended for technical, maintenance, and operating staff.

The manual contains information about purpose, technical details, operating principle, design, and installation of the KOMFORT EC DBE 300/550/900 unit and all its modifications.

Technical and maintenance staff must have theoretical and practical training in the field of ventilation systems and should be able to work in accordance with workplace safety rules as well as construction norms and standards applicable in the territory of the country.

SAFETY REQUIREMENTS

This unit is not intended for use by persons (including children) with reduced physical, sensory or mental capabilities, or lack of experience and knowledge, unless they have been given supervision or instruction concerning use of the unit by a person responsible for their safety. Children should be supervised to ensure that they do not play with the unit.

This appliance can be used by children aged from 8 years and above and persons with reduced physical, sensory or mental capabilities or lack of experience and knowledge if they have been given supervision or instruction concerning use of the appliance in a safe way and understand the hazards involved.

Cleaning and user maintenance shall not be done by children without supervision.

Children shall not play with the appliance.

Connection to the mains must be made through a disconnecting device, which is integrated into the fixed wiring system in accordance with the wiring rules for design of electrical units, and has a contact separation in all poles that allows for full disconnection under overvoltage category III conditions.

If the supply cord is damaged, it must be replaced by the manufacturer, its service agent, or similarly qualified persons in order to avoid a safety hazard.

CAUTION: In order to avoid a safety hazard due to inadvertent resetting of the thermal cut-out, this unit must not be supplied through an external switching device, such as a timer, or connected to a circuit that is regularly switched on and off by the utility.

Ensure that the unit is switched off from the supply mains before removing the guard.

WARNING: If there are any unusual oscillating movements, immediately stop using the unit and contact the manufacturer, its service agent or suitably qualified persons.

The replacement of parts of the safety suspension system device shall be performed by the manufacturer, its service agent or suitably qualified persons.

Precautions must be taken to avoid the back-flow of gases into the room from the open flue of gas or other fuel-burning appliances.

The appliance may adversely affect the safe operation of appliances burning gas or other fuels (including those in other rooms) due to back flow of combustion gases. These gases can potentially result in carbon monoxide poisoning. After installation of the unit the operation of flued gas appliances should be tested by a competent person to ensure that back flow of combustion gases does not occur.

Fixing means for attachment to the ceiling such as hooks or other devices shall be fixed with a sufficient strength to withstand 4 times the weight of the appliance.

The mounting of the suspension system shall be performed by the manufacturer, its service agent or suitably qualified persons.

The appliance is to be installed so that the blades are more than 2.3m (2,1 m AU) above the floor.

All operations described in this manual must be performed by qualified personnel only, properly trained and qualified to install, make electrical connections and maintain ventilation units.

Do not attempt to install the product, connect it to the mains, or perform maintenance yourself.

This is unsafe and impossible without special knowledge.

Disconnect the power supply prior to any operations with the unit.

All user's manual requirements as well as the provisions of all the applicable local and national construction, electrical, and technical norms and standards must be observed when installing and operating the unit.

Disconnect the unit from the power supply prior to any connection, servicing, maintenance, and repair operations.

Connection of the unit to power mains is allowed by a qualified electrician with a work permit for the electric units up to 1000 V after careful reading of the present user's manual.

Check the unit for any visible damage of the impeller, the casing, and the grille before starting installation. The casing internals must be free of any foreign objects that can damage the impeller blades.

While mounting the unit, avoid compression of the casing! Deformation of the casing may result in motor jam and excessive noise.

Misuse of the unit and any unauthorised modifications are not allowed.

Do not expose the unit to adverse atmospheric agents (rain, sun, etc.).

Transported air must not contain any dust or other solid impurities, sticky substances, or fibrous materials.

Do not use the unit in a hazardous or explosive environment containing spirits, gasoline, insecticides, etc.

Do not close or block the intake or extract vents in order to ensure the efficient air flow.

Do not sit on the unit and do not put objects on it.

The information in this user's manual was correct at the time of the document's preparation.

The Company reserves the right to modify the technical characteristics, design, or configuration of its products at any time in order to incorporate the latest technological developments.

Never touch the unit with wet or damp hands.

Never touch the unit when barefoot.

BEFORE INSTALLING ADDITIONAL EXTERNAL DEVICES, READ THE RELEVANT USER MANUALS.



THE PRODUCT MUST BE DISPOSED SEPARATELY AT THE END OF ITS SERVICE LIFE.

DO NOT DISPOSE THE UNIT AS UNSORTED DOMESTIC WASTE.

PURPOSE

The unit is designed to ensure continuous mechanical air exchange in houses, offices, hotels, cafes, conference halls, and other utility and public spaces as well as to recover the heat energy contained in the air extracted from the premises to warm up the filtered stream of intake air.

The unit is not intended for organizing ventilation in swimming pools, saunas, greenhouses, summer gardens, and other spaces with high humidity.

Due to the ability to save heating energy by means of energy recovery, the unit is an important element of energy-efficient premises.

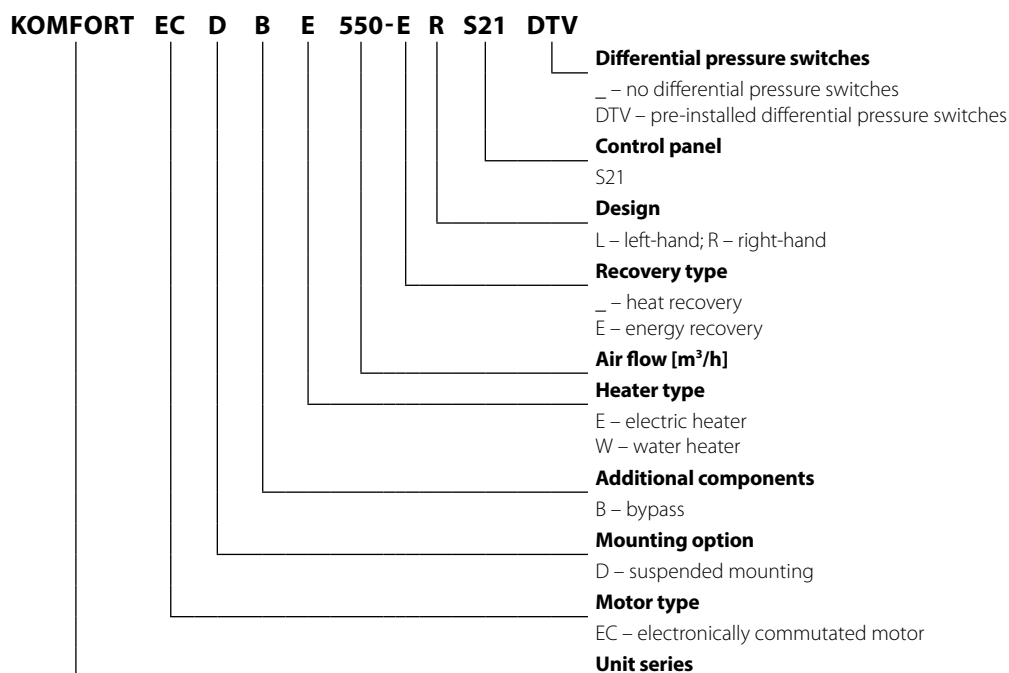
The unit is a component part and is not designed for stand-alone operation. It is rated for continuous operation.

Transported air must not contain any flammable or explosive mixtures, evaporation of chemicals, sticky substances, fibrous materials, coarse dust, soot and oil particles or environments favourable for the formation of hazardous substances (toxic substances, dust, pathogenic germs).

DELIVERY SET

| Name | Number |
|---------------|--------|
| Unit | 1 pc. |
| User's manual | 1 pc. |
| Packing box | 1 pc. |

DESIGNATION KEY



TECHNICAL DATA

The unit is designed for indoor application with the ambient temperature ranging from +1 °C up to +40 °C and relative humidity up to 60 % without condensation. In cold, damp rooms, there is a possibility of freezing or condensation inside and outside the casing. In order to prevent condensation on the internal walls of the unit, it is necessary that the surface temperature of the casing is 2-3 °C above the dew point temperature of the transported air.

The unit should be operated continuously, and in cases where ventilation is not necessary, reduce the air flow of the fans to a minimum (20%). This will ensure a favorable indoor climate and reduce the amount of condensation inside the unit, which can damage electronic components. Never use the unit for dehumidification, for example, of new buildings.

The unit is rated as a Class I electrical appliance.

Hazardous parts access and water ingress protection rating:

IP22 for the unit connected to the air ducts

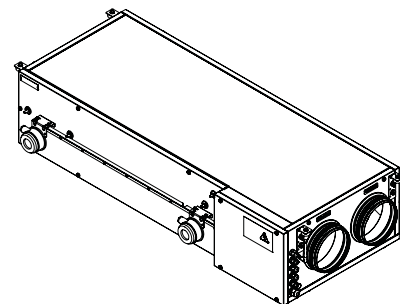
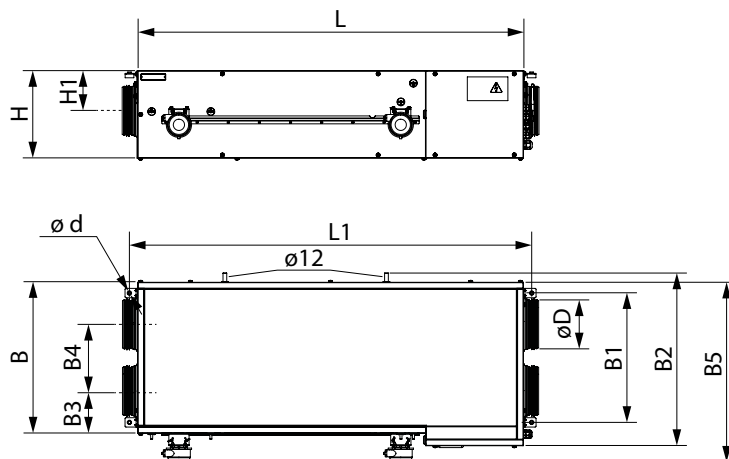
IP44 for the unit motors

The unit design is constantly being improved, thus some models may be slightly different from those described in this manual.

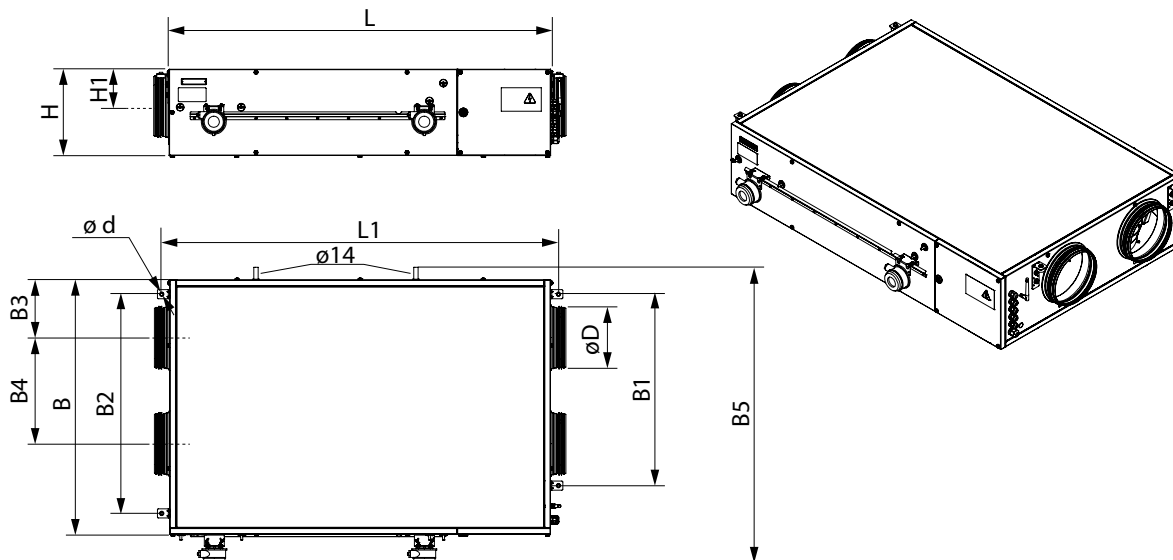
TECHNICAL DATA

| MODEL | KOMFORT EC DBE 300/300-E | KOMFORT EC DBE 550/550-E | KOMFORT EC DBE 900/900-E |
|---|-----------------------------|-----------------------------|-----------------------------|
| Voltage [V/50 (60) Hz] | 1~ 230 | | |
| Maximum fan power [W] | 180 | 322 | 442 |
| Power of the integrated electric heater [W] | 1500 | 2000 | 3300 |
| Maximum air flow [W] | 1680 | 2322 | 3742 |
| Maximum unit current without a heater [A] | 1,4 | 2,4 | 3,1 |
| Current of the integrated electric heater [A] | 6,5 | 8,7 | 14,3 |
| Maximum current of the unit with an electric heater [A] | 7,9 | 11,1 | 17,4 |
| Air flow [m ³ /h] | 340 | 608 | 1030 |
| Rotation speed [min ⁻¹] | 3270 | 3100 | 2720 |
| Noise level, 3 m [dBA] | 27 | 30 | 33 |
| Transported air temperature [°C] | -25...+40 | | |
| Casing material | Aluzinc | | |
| Insulation, mineral wool [mm] | 20 | | |
| Filtering class of the extract filter | G4 | | |
| Filtering class of the supply filter | G4 (optional – F7) | | |
| Connecting air duct diameter [mm] | 160 | 200 | 250 |
| Weight [kg] | 44 | 67 | 111 |
| Heat recovery efficiency [%] | 72...90/69...87 | 78...90/69...87 | 75...88/69...85 |
| Heat exchanger type | Counter-flow | | |
| Heat exchanger material | Polystyrene/Enthalpy | | |
| SEC class | A | A | A |

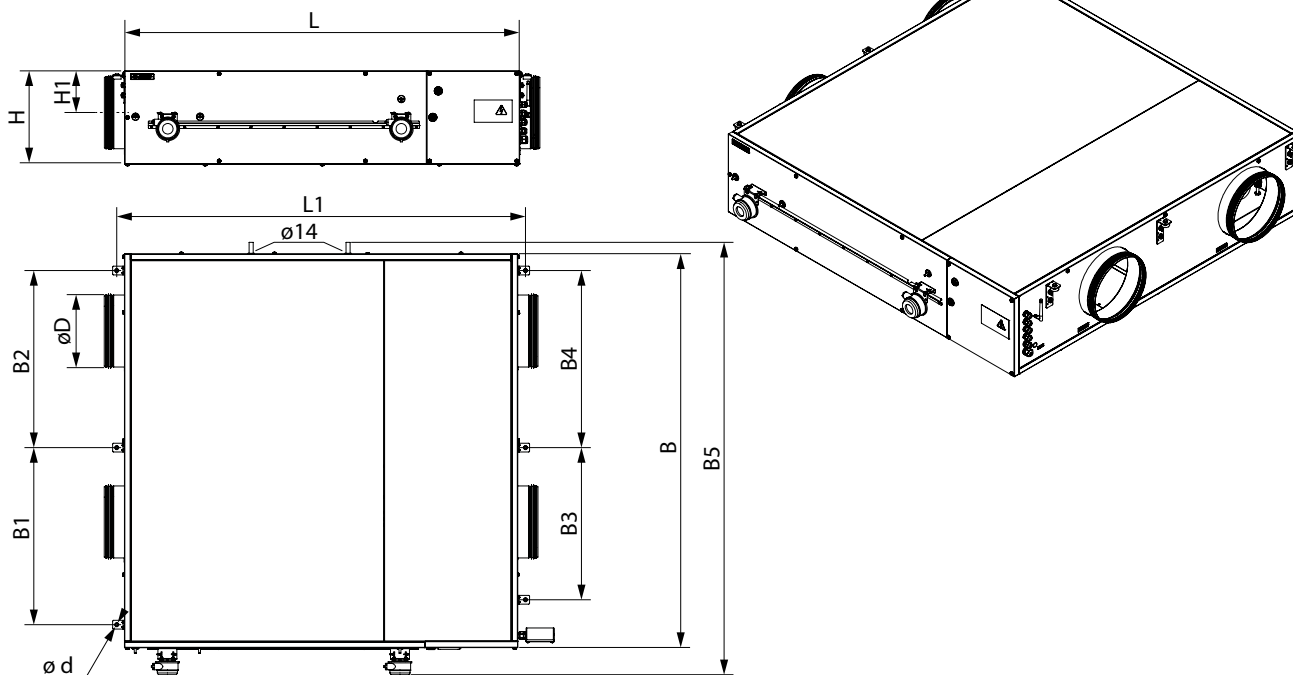
*Energy recovery units are equipped with an enthalpy heat exchanger, which does not require condensate drainage.

KOMFORT EC DBE 300

KOMFORT EC DBE 550



KOMFORT EC DBE 900

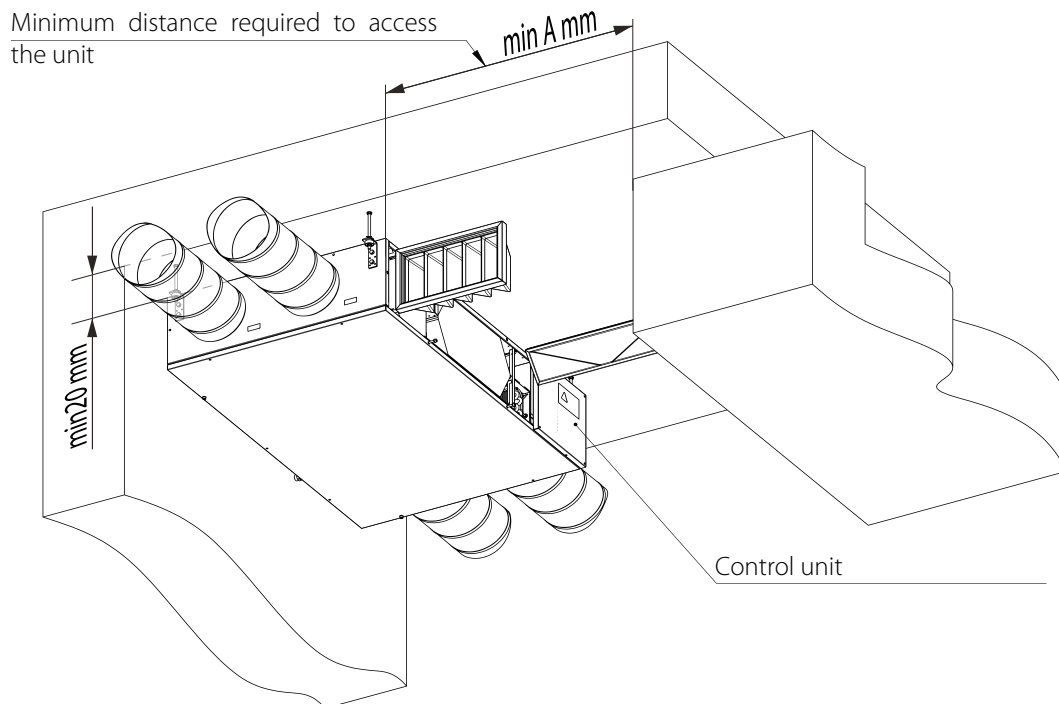


Dimensions [mm]

| Model | Ø D | B | B1 | B2 | B3 | B4 | B5 | H | H1 | L | L1 | Ø d |
|---------------------------|-----|------|-----|-----|-----|-----|------|-----|-----|------|------|-----|
| KOMFORT EC DBE 300 | 160 | 485 | 415 | 555 | 135 | 214 | 577 | 281 | 129 | 1238 | 1290 | 9 |
| KOMFORT EC DBE 550 | 200 | 827 | 622 | 713 | 188 | 345 | 960 | 280 | 120 | 1238 | 1290 | 9 |
| KOMFORT EC DBE 900 | 250 | 1351 | 607 | 607 | 522 | 607 | 1483 | 318 | 143 | 1349 | 1402 | 9 |

MOUNTING AND SET-UP

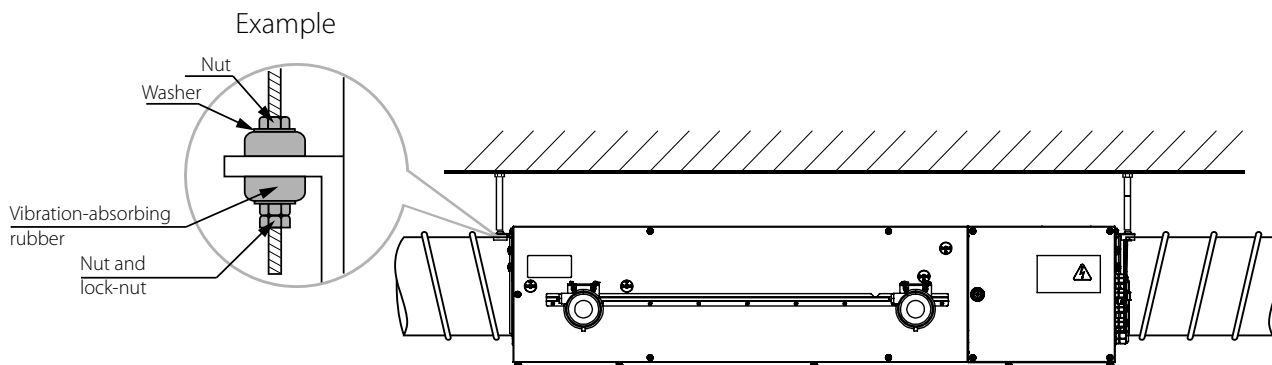
While mounting the unit provide enough space for its servicing and maintenance.



| Type | KOMFORT EC DBE 300 | KOMFORT EC DBE 550 | KOMFORT EC DBE 900 |
|------------|--------------------|--------------------|--------------------|
| min A [mm] | 500 | 850 | 800 |

UNIT MOUNTING

The unit is designed for suspended mounting by means of the threaded rod fixed in the threaded dowel.



To attain the best performance of the unit and to minimise turbulence-induced air pressure losses, while mounting connect a straight air duct section on both sides of the unit.

Minimum straight air duct length:

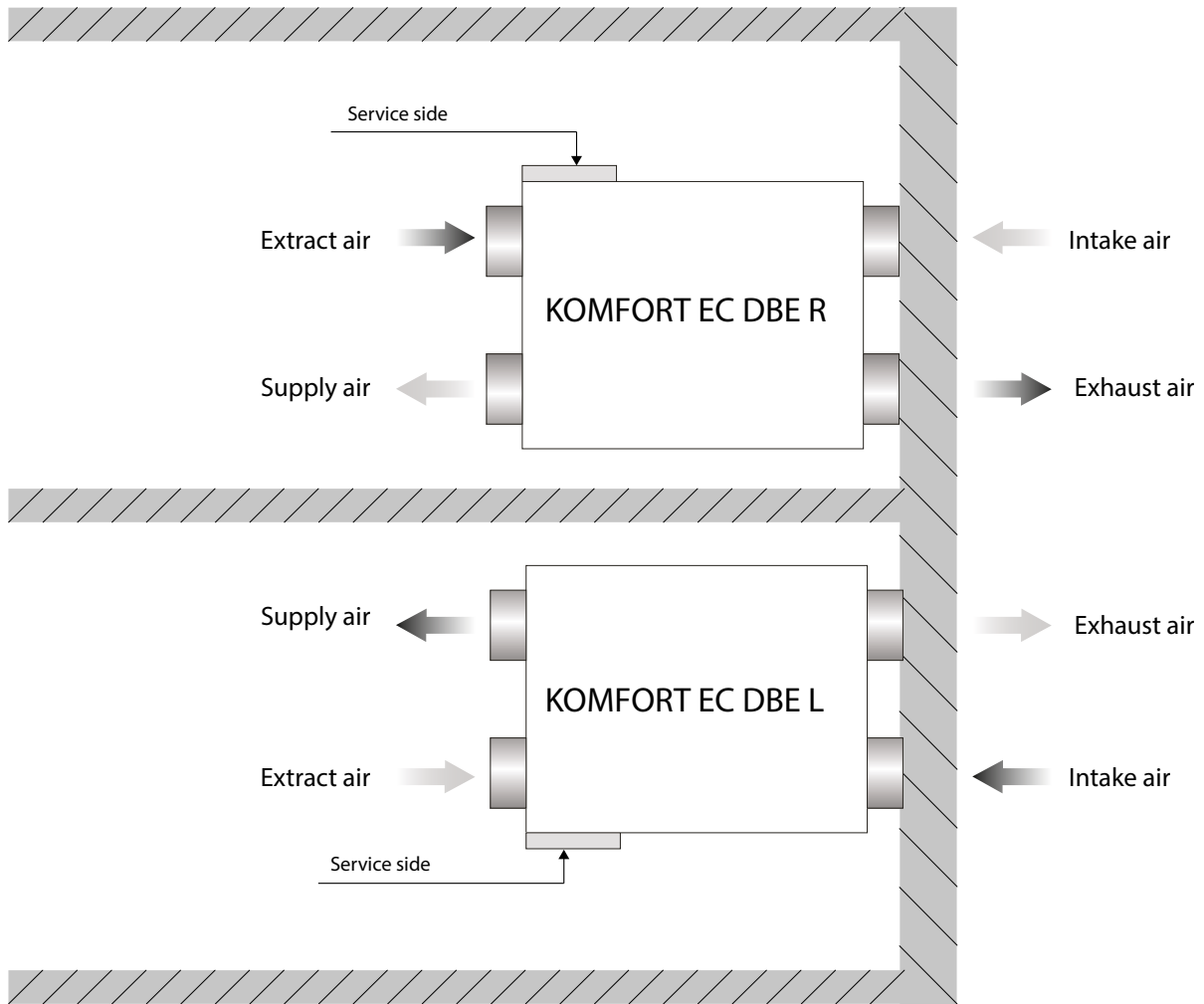
- equal to 1 air duct diameter on intake side.
- equal to 3 air duct diameters on outlet side.

If the air ducts are not connected or the connected air ducts are too short, protect the unit parts from ingress of foreign objects by covering the spigots with a protecting grille or other protecting device with mesh width not more than 12.5 mm to prevent uncontrollable access to the fans.

READ THE USER'S MANUAL BEFORE INSTALLING THE UNIT

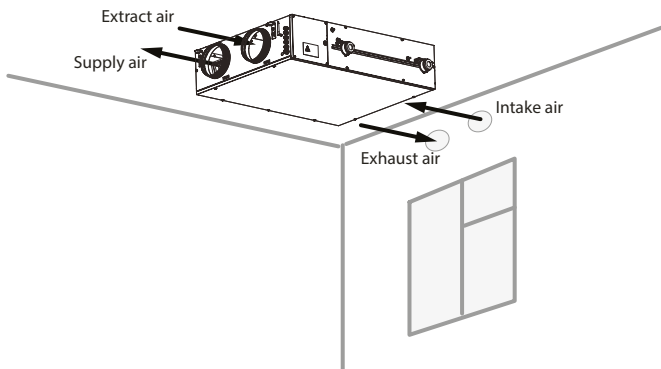
UNIT MODIFICATIONS

The unit is available with the service side located on the left and on the right of the unit to facilitate mounting and provide minimum service access.

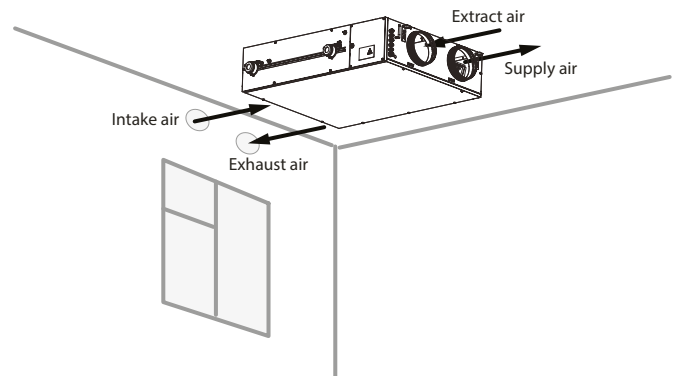


Top view

KOMFORT EC DBE L



KOMFORT EC DBE R



Safety precautions

The unit is designed for mounting on a rigid and stable structure.

The unit is mounted with anchor bolts. Make sure that a mounting construction has sufficient load capacity matching the unit weight. Otherwise reinforce the installation place by beams, etc. If the threaded bolts used for the unit mounting are too short, the unit can generate abnormal noise and resonate with the ceiling. The suspended bolts must be long enough to prevent resonating.

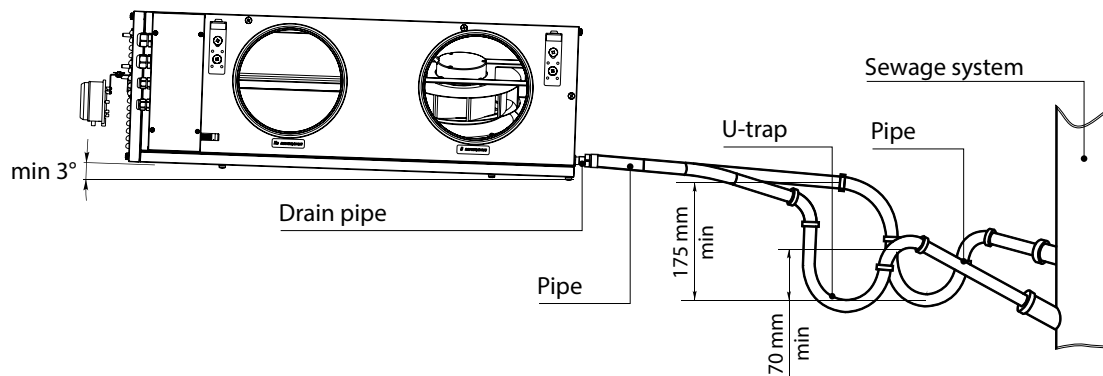
If the unit connection place to the spiral seam duct is supposed to be the source of abnormal noise, replace the spiral seam air duct with the flexible one. Optionally the flexible connectors may be used to prevent resonating.

CONDENSATE DRAINAGE

The condensate drain pan in the heat recovery section is equipped with two hoses for extracting the condensed fluid outside the unit. Connect the pipe, U-trap (not included in the delivery set) and sewage collection system with metal, plastic or rubber connecting pipes. The pipe slope downwards must be at least 3°. Each drain pipe is connected to a different U-trap. Fill up the system with water before connecting the unit to power mains!

The U-trap must always be filled with water during the unit operation. Make sure that the water flows freely into the sewage collection system or otherwise condensed water may build up in the unit during the heat exchanger operation and cause equipment failure and condensed water outflow into the premises. The condensate drainage system is designed for normal operation in premises with air temperatures above 0 °C. If the expected ambient air temperatures are below 0 °C, the condensate drainage system must be equipped with heat insulation and pre-heating facilities.

For models with energy recovery, no condensate drainage is required as they are equipped with an enthalpy heat exchanger.



CONNECTION TO POWER MAINS



DISCONNECT THE UNIT FROM POWER MAINS PRIOR TO ANY OPERATIONS. THE UNIT MUST BE CONNECTED TO POWER MAINS BY A QUALIFIED ELECTRICIAN. THE RATED ELECTRICAL PARAMETERS OF THE UNIT ARE GIVEN ON THE MANUFACTURER'S LABEL.



ANY TAMPERING WITH THE INTERNAL CONNECTIONS IS PROHIBITED AND WILL VOID THE WARRANTY.

The unit is rated for connection to single-phase AC 230 V/50 (60) Hz power mains. For electric installations use insulated durable heat-resistant conductors (cables, wires) with the minimum wire cross section 2.5 mm².

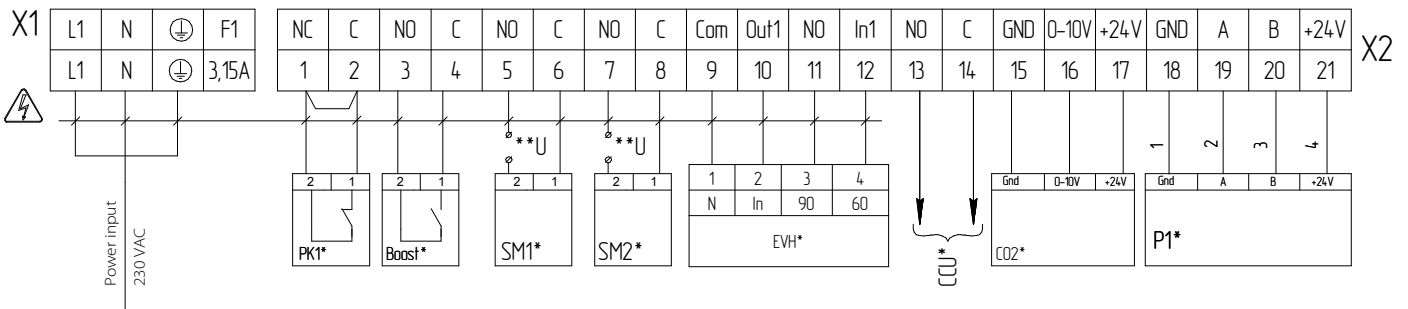
The above conductor cross section value is tentative and in practice must be based on the wire type, maximum permissible heating temperature, insulation, length and installation method.

Connect the unit to power mains through the external automatic circuit breaker with magnetic trip integrated into the fixed wiring system with the rated current not below the rated current consumption.

The terminal block with the prewired control unit is located inside the control unit compartment.

To connect the power and the ground cable, route the cables through the airtight electric lead-in in the unit casing and connect these to the terminal block. The wiring diagram for connection of the air handling unit to power supply is on the back side of the lid.

EXTERNAL CONNECTIONS DIAGRAM OF S21



| Design | Name | Type | Wire | Note |
|--------|---------------------------------|------|--------------------------|---------------|
| SM1* | Supply air damper actuator | NO | 2 x 0,75 mm ² | 3A, ~250AC |
| SM2* | Extract air damper actuator | NO | 2 x 0,75 mm ² | 3A, ~250AC |
| PK1* | Contact from fire alarm panel | NC | 2 x 0,75 mm ² | remove jumper |
| CCU* | Cooler control | NO | 2 x 0,75 mm ² | 3A, 30 DC |
| P1* | External control panel | | 4 x 0,5 mm ² | |
| Boost* | Boost mode On/Off contacts | NO | 2 x 0,75 mm ² | |
| CO2* | External CO ₂ sensor | | 3 x 0,25 mm ² | |
| EVH* | Channel heater (preheating) | | 4 x 0,5 mm ² | |

*Is not included in the delivery set.

**The supply voltage U of the SM1, SM2 external dampers is selected depending on the type of dampers.



— ELECTRIC SHOCK HAZARD!

TECHNICAL MAINTENANCE



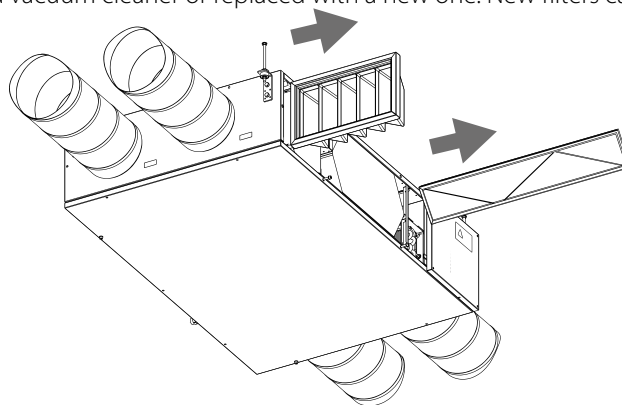
DISCONNECT THE UNIT FROM POWER SUPPLY BEFORE ANY MAINTENANCE OPERATIONS!
MAKE SURE THE UNIT IS DISCONNECTED FROM POWER MAINS BEFORE REMOVING THE PROTECTION.

The recommended maintenance periodicity is 3-4 times per year.

The maintenance and servicing routines include regular cleaning and the following operations:

1. Filter maintenance (3-4 times per year).

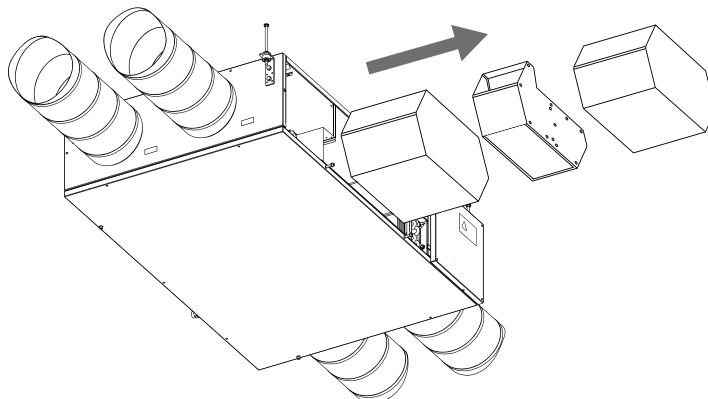
Dirty filters increase air resistance in the system and reduce supply air volume. Clean the filters as these get dirty, but at least 3-4 times a year. The filter can be cleaned with a vacuum cleaner or replaced with a new one. New filters can be purchased from the unit seller.



2. Heat exchanger maintenance (once a year).

Even regular filter technical maintenance may not completely prevent dirt accumulation on the heat exchanger.

To maintain high heat recovery efficiency, regular cleaning is required. To clean the heat exchanger, remove it from the unit and clean it with compressed air or a vacuum cleaner. In case of heavy soiling, the heat exchanger can be washed with water. Then install the heat exchanger back to the unit.



3. Fan inspection (once a year).

Even regular technical maintenance of the filters and the heat exchanger may not completely prevent dust accumulation in the fans which reduces the fan capacity and impairs supply air volume into the premises.

The fans must be cleaned by a service technician.

4. Condensate drain maintenance (4 times a year).

The drain pipes may get clogged with the extracted particles.

Pour some water inside the drain pan and check the pipe for clogging. Clean the U-trap and drain pipe if required.

5. Air intake maintenance (twice a year).

Leaves and other pollutions can clog the supply air grille and reduce the unit performance and supply air volume.

Check the supply grille twice per year and clean it as required.

6. Duct system maintenance (every 5 years).

Even regular fulfilling of all the prescribed above maintenance operations may not completely prevent dust accumulation in the air ducts which reduces the air quality and the unit performance. The air duct maintenance includes regular cleaning or replacement.

TROUBLESHOOTING



IF UNIDENTIFIED NOISES OR ODOURS SHOULD ARISE AND IN CASE OF DEFORMATION OF ELEMENTS, VIBRATION, TERMINATION OF AIR SUPPLY/EXTRACTION OR REDUCED SYSTEM PERFORMANCE, IMMEDIATELY DISCONNECT THE UNIT FROM POWER SUPPLY AND CONTACT THE SELLER FOR THE VENTILATION SYSTEM DIAGNOSTICS. DIAGNOSTICS MUST BE CARRIED OUT BY QUALIFIED SPECIALISTS

POSSIBLE FAULTS AND TROUBLESHOOTING

| Problem | Possible reasons | Troubleshooting |
|---|--|--|
| The fan (-s) does (do) not start up during the unit start-up. | No power supply. | Make sure the unit is properly connected to power mains, otherwise troubleshoot a connection error. |
| | The mode is set in which the fans are off. | Change the operating mode using the control panel. |
| Low air flow. | Low set fan speed. | Set higher speed. |
| | The filters, the fans or the heat exchanger are contaminated. | Clean or replace the filters, clean the fans and the heat exchanger. |
| | The elements of the ventilation system (air ducts, diffusers, louver shutters, grilles) are soiled, damaged or closed. | Clean or replace the ventilation system elements (air ducts, diffusers, louver shutters, grilles). |
| Low supply air temperature. | The extract filter is soiled. | Clean or replace the extract filter. |
| High noise, vibration. | The fan or casing screw connection is loose. | Tighten the screw connection of the fans or the casing against stop. |
| | No anti-vibration dampers on the spigots. | Install anti-vibration rubber mounts. |
| Water leakage (only in heat recovery units) | The drain line is clogged, damaged or mounted wrong. | Clean the drain line, if necessary. Check the drain line slant, inspect the U-trap and make sure the drain line is equipped with frost protection. |

If the troubleshooting steps are unsuccessful, contact the service department or the seller of the product.

In the event of malfunctions not described in the table, contact the service department or the seller of the product.

STORAGE AND TRANSPORTATION REGULATIONS

- Store the unit in the manufacturer's original packaging box in a dry closed ventilated premise with temperature range +5 °C...+40 °C and relative humidity up to 70 %.
- Storage environment must not contain aggressive vapors and chemical mixtures provoking corrosion, insulation, and sealing deformation.
- Use suitable hoist machinery for handling and storage operations to prevent possible damage to the unit.
- Follow the handling requirements applicable for the particular type of cargo.
- The unit can be carried in the original packaging by any mode of transport provided proper protection against precipitation and mechanical damage. The unit must be transported only in the working position.
- Avoid sharp blows, scratches, or rough handling during loading and unloading.
- Prior to the initial power-up after transportation at low temperatures, allow the unit to warm up at operating temperature for at least 3-4 hours.

MANUFACTURER'S WARRANTY

The product is in compliance with EU norms and standards on low voltage guidelines and electromagnetic compatibility. We hereby declare that the product complies with the provisions of Electromagnetic Compatibility (EMC) Directive 2014/30/EU of the European Parliament and of the Council, Low Voltage Directive (LVD) 2014/35/EU of the European Parliament and of the Council and CE-marking Council Directive 93/68/EEC. This certificate is issued following test carried out on samples of the product referred to above.

The manufacturer hereby warrants normal operation of the unit for 24 months after the retail sale date provided the user's observance of the transportation, storage, installation, and operation regulations. Should any malfunctions occur in the course of the unit operation through the Manufacturer's fault during the guaranteed period of operation, the user is entitled to get all the faults eliminated by the manufacturer by means of warranty repair at the factory free of charge. The warranty repair includes work specific to elimination of faults in the unit operation to ensure its intended use by the user within the guaranteed period of operation. The faults are eliminated by means of replacement or repair of the unit components or a specific part of such unit component.

The warranty repair does not include:

- routine technical maintenance
- unit installation/dismantling
- unit setup

To benefit from warranty repair, the user must provide the unit, the user's manual with the purchase date stamp, and the payment paperwork certifying the purchase. The unit model must comply with the one stated in the user's manual. Contact the Seller for warranty service.

The manufacturer's warranty does not apply to the following cases:

- User's failure to submit the unit with the entire delivery package as stated in the user's manual including submission with missing component parts previously dismantled by the user.
- Mismatch of the unit model and the brand name with the information stated on the unit packaging and in the user's manual.
- User's failure to ensure timely technical maintenance of the unit.
- External damage to the unit casing (excluding external modifications as required for installation) and internal components caused by the user.
- Redesign or engineering changes to the unit.
- Replacement and use of any assemblies, parts and components not approved by the manufacturer.
- Unit misuse.
- Violation of the unit installation regulations by the user.
- Violation of the unit control regulations by the user.
- Unit connection to power mains with a voltage different from the one stated in the user's manual.
- Unit breakdown due to voltage surges in power mains.
- Discretionary repair of the unit by the user.
- Unit repair by any persons without the manufacturer's authorization.
- Expiration of the unit warranty period.
- Violation of the unit transportation regulations by the user.
- Violation of the unit storage regulations by the user.
- Wrongful actions against the unit committed by third parties.
- Unit breakdown due to circumstances of insuperable force (fire, flood, earthquake, war, hostilities of any kind, blockades).
- Missing seals if provided by the user's manual.
- Failure to submit the user's manual with the unit purchase date stamp.
- Missing payment paperwork certifying the unit purchase.



FOLLOWING THE REGULATIONS STIPULATED HEREIN WILL ENSURE A LONG AND TROUBLE-FREE OPERATION OF THE UNIT



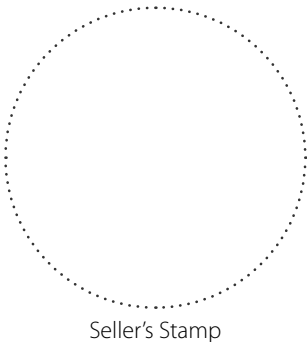
USER'S WARRANTY CLAIMS SHALL BE SUBJECT TO REVIEW ONLY UPON PRESENTATION OF THE UNIT, THE PAYMENT DOCUMENT AND THE USER'S MANUAL WITH THE PURCHASE DATE STAMP

CERTIFICATE OF ACCEPTANCE

| | |
|----------------------------------|--|
| Unit Type | Heat and energy recovery air handling unit |
| Model | |
| Serial Number | |
| Manufacture Date | |
| Quality Inspector's Stamp | |

SELLER INFORMATION

| | |
|---|--|
| Seller | |
| Address | |
| Phone Number | |
| E-mail | |
| Purchase Date | |
| This is to certify acceptance of the complete unit delivery with the user's manual. The warranty terms are acknowledged and accepted. | |
| Customer's Signature | |

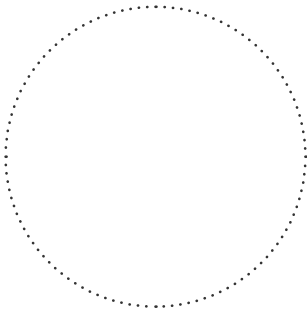


Seller's Stamp

INSTALLATION CERTIFICATE

The _____ unit is installed pursuant to the requirements stated in the present user's manual.

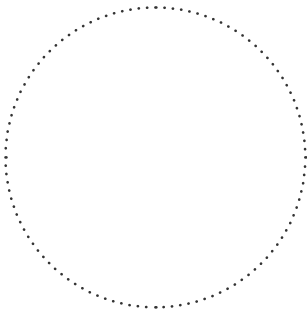
| | |
|--|-------------------|
| Company name | |
| Address | |
| Phone Number | |
| Installation Technician's Full Name | |
| Installation Date: | Signature: |
| The unit has been installed in accordance with the provisions of all the applicable local and national construction, electrical and technical codes and standards. The unit operates normally as intended by the manufacturer. | |
| Signature: | |



Installation Stamp

WARRANTY CARD

| | |
|-------------------------|--|
| Unit Type | Heat and energy recovery air handling unit |
| Model | |
| Serial Number | |
| Manufacture Date | |
| Purchase Date | |
| Warranty Period | |
| Seller | |



Seller's Stamp

