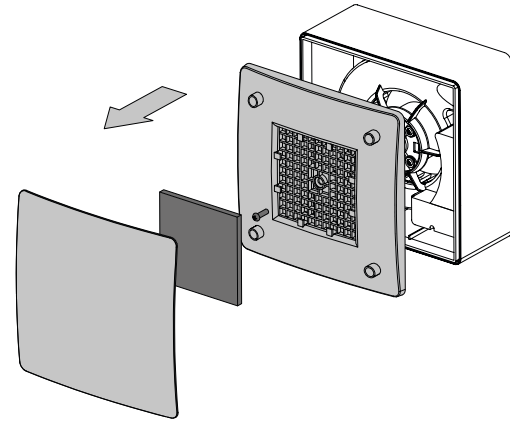


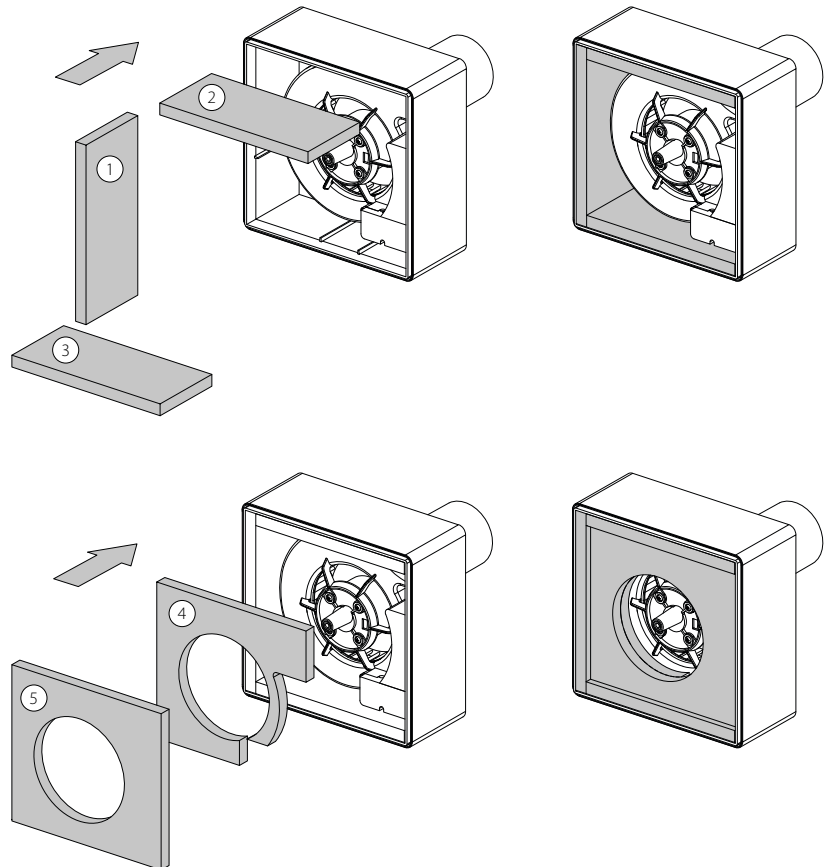
## INSTALLATION INSTRUCTION

### Sound insulation kit for the Valeo fans

1. Remove the decorative panel, remove the filter. Then undo the screw and remove the front panel.



2. Install the parts of the sound insulation kit one after another as shown in the figure.



3. Install the front panel, the filter and the decorative panel.

