

CEILING DIFFUSER



DPCH

EN

INSTALLATION INSTRUCTION

PURPOSE

Ceiling diffusers are used in supply and extract ventilation systems, for heating and air conditioning in industrial, commercial and domestic premises.

DELIVERY SET

Diffuser - 1 pc.; Template - 1 pc.; Installation instruction - 1 pc.; Packing box - 1 pc.; Glass cloth - 1 pc.

DESIGNATION KEY

DPCH MFC 125

Spigot diameter [mm]

Design features:

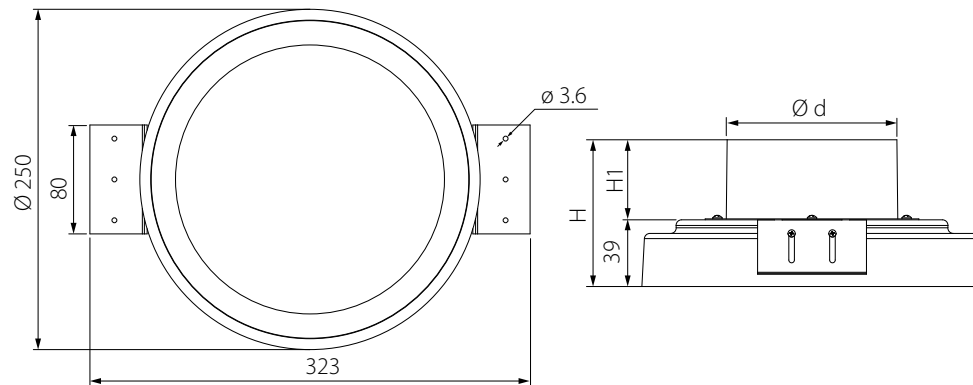
_ : plastic flange

MFC: metal flange with an F-shaped cuff

MUC: metal flange with a U-shaped cuff

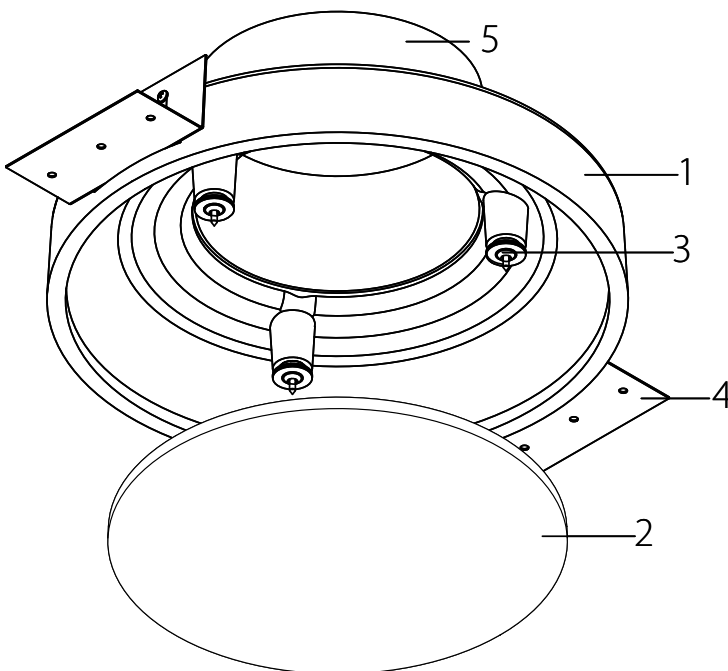
Series

OVERALL AND CONNECTING DIMENSIONS [mm]



	d	H	H1
DPCH 125	125	108	58
DPCH MFC/MUC 125		98	49

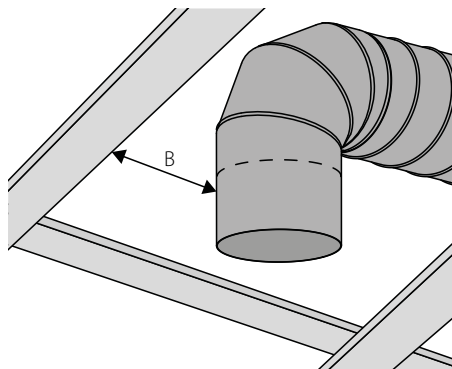
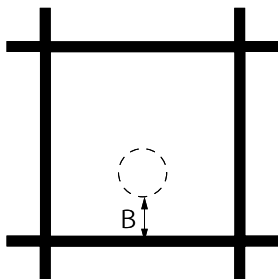
DESIGN



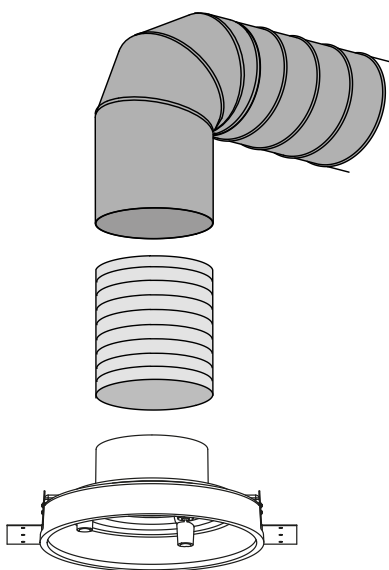
- 1 — casing
- 2 — front panel
- 3 — magnet holder
- 4 — mounting bracket
- 5 — flange

ATTENTION! When making a layout draft for the ventilation system, ensure a minimum distance (B) exists between the diffuser's flange to the ceiling elements.

	B
DPCH 125	100
DPCH MFC/MUC 125	100

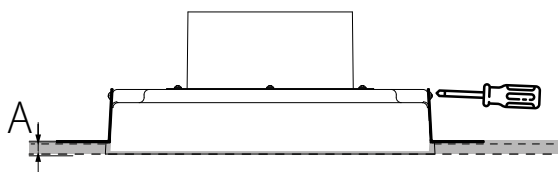


ATTENTION! To prevent vibration, a section of flexible duct must be attached in between the diffuser and rigid duct.

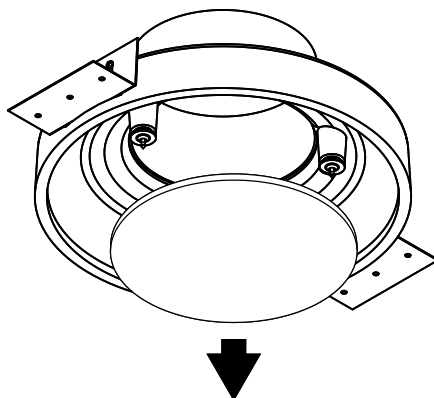


To attach the mounting brackets to drywall, use screws at least 3.9 mm in diameter.

Before starting the installation, secure the mounting brackets in pre-made holes on the diffuser's casing. Adjust the position of the mounting brackets based on the ceiling thickness (A).

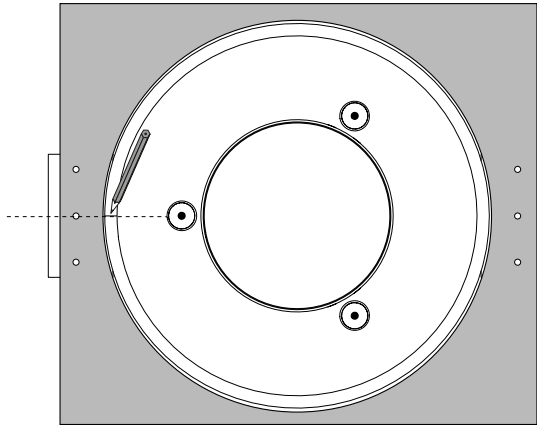


Remove the front panel fixed with magnet holders.



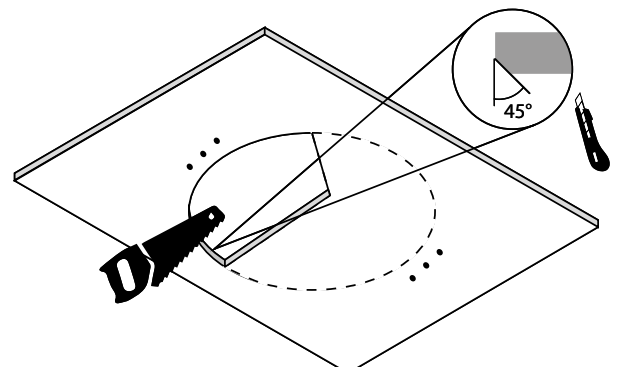
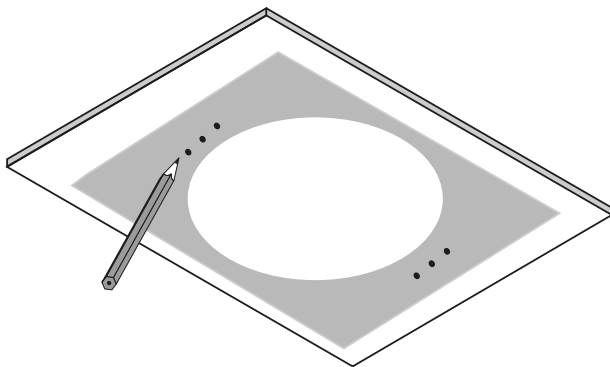
MOUNTING

1



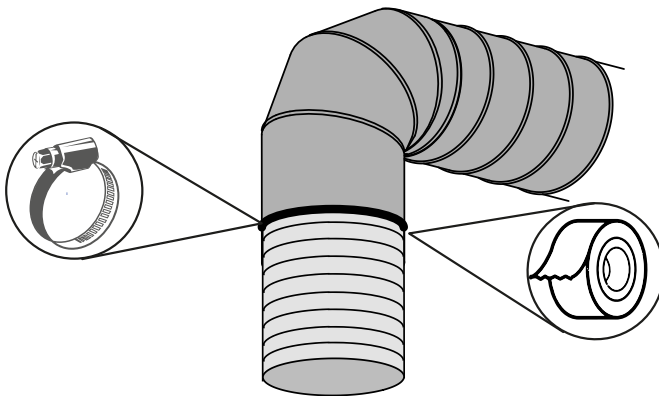
For comfortable mounting, locate the mounting template on the internal packing attachment. Align the template with the diffuser and make a mark coaxial to the hole in the middle.

2



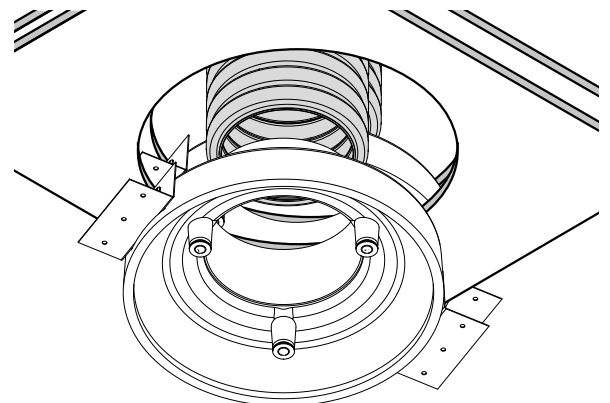
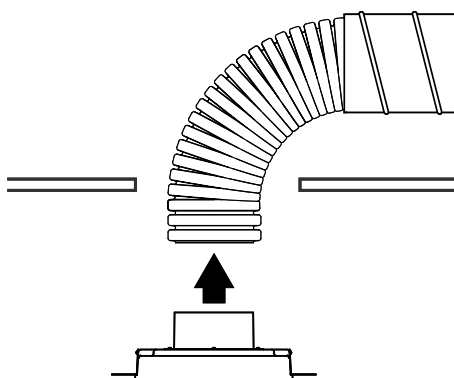
Align the template with the ceiling and mark up the places to install the diffuser and make holes for mounting. Make a hole in the drywall. Remove the chamfer at a 45° angle up to 1/3 drywall thickness.

3



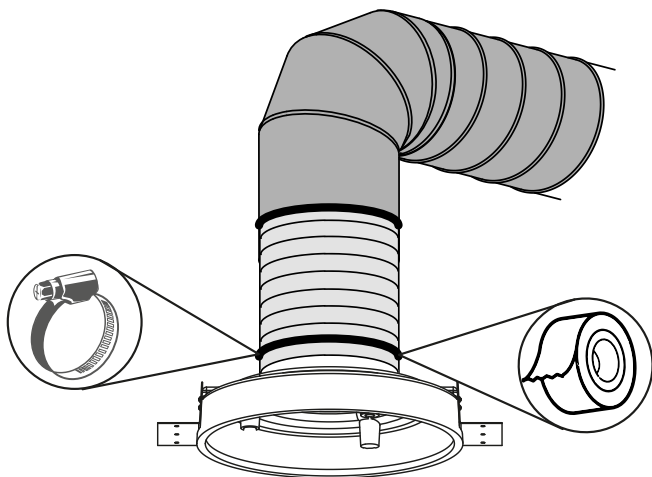
Connect the flexible air duct to rigid air duct. Fix the connection with the worm drive clamp or duct tape.

4



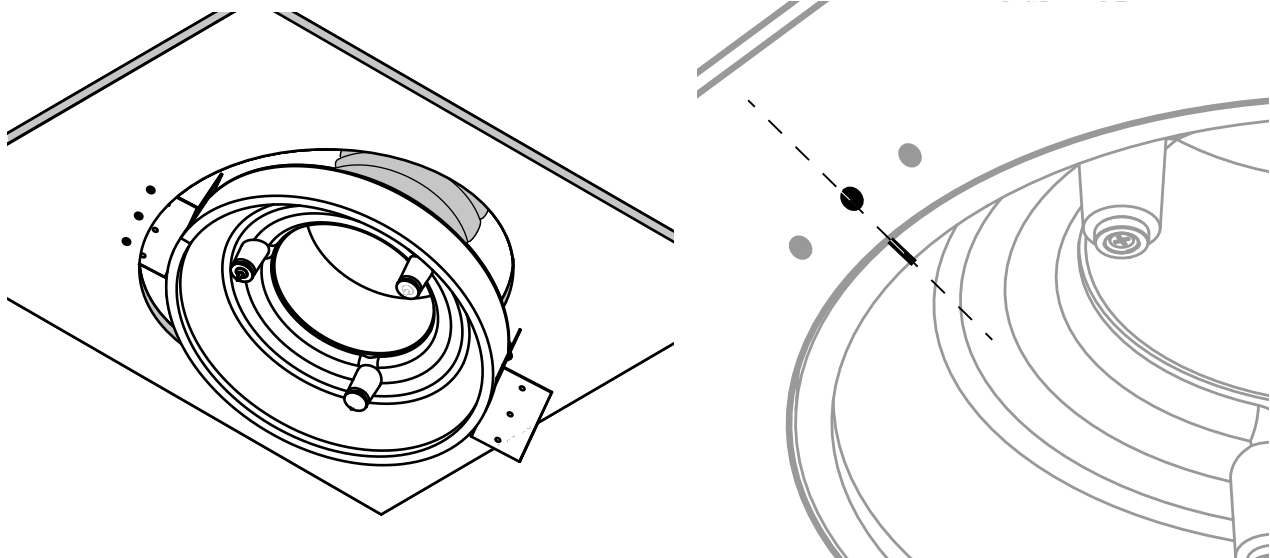
Install the air duct onto the diffuser's flange.

5



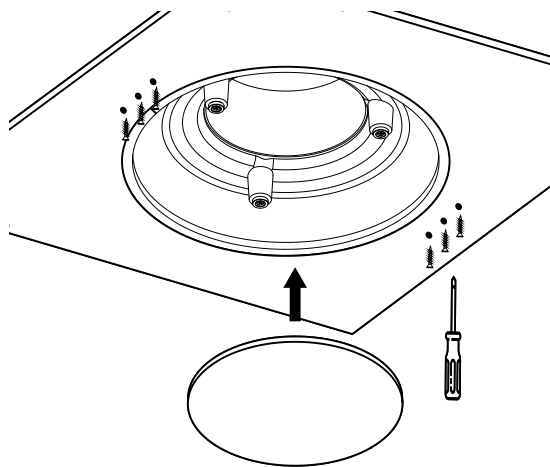
Secure the connection with the worm drive clamp or duct tape.

6



Install the diffuser into the hole in the ceiling. The mounting brackets must be supported with the back side of the drywall. Align the mark on the diffuser with the center of the hole in the middle.

7



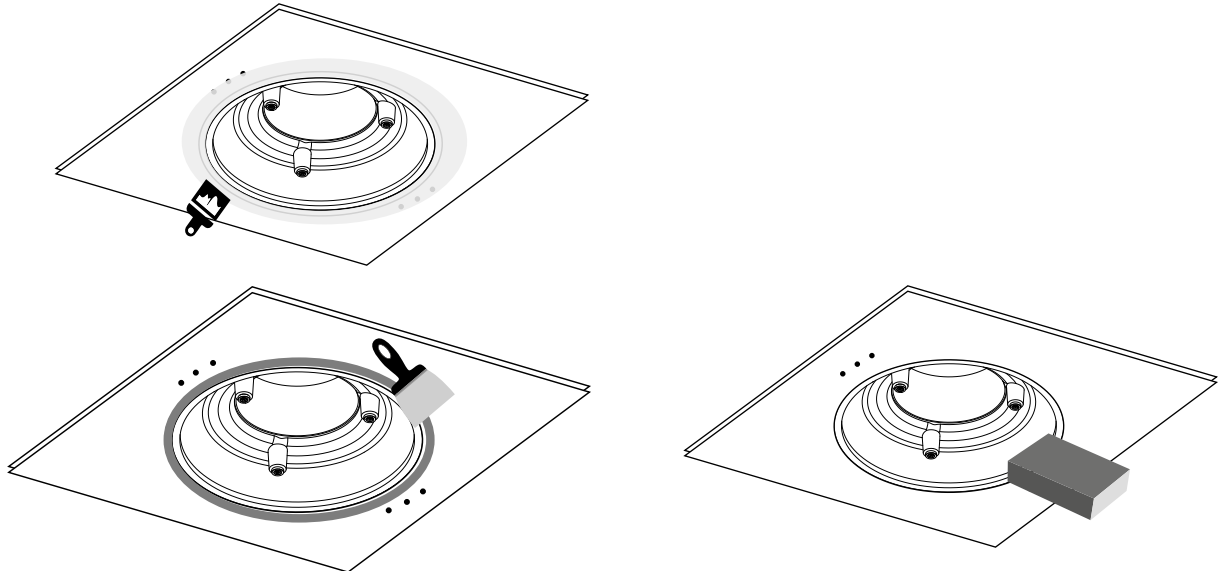
Secure the diffuser with screws. Install the front panel fixed with magnet holders.

DECORATION WORKS

ATTENTION! When marking up holes and decorating, it is recommended to use the technology, instruments and materials approved by the drywall manufacturer or local standard of the country where the drywall is being mounted.

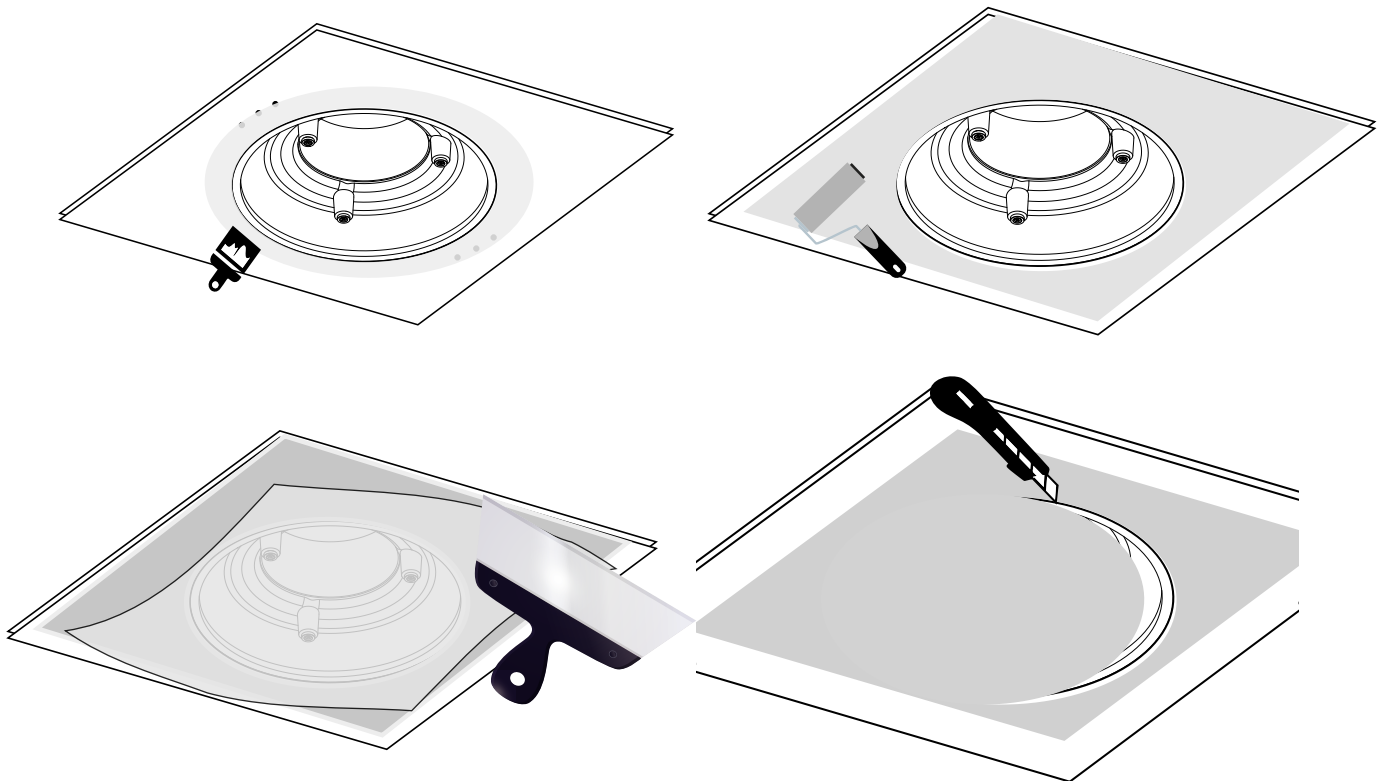
Example of performing decoration works (according to the Knauf technology)

1



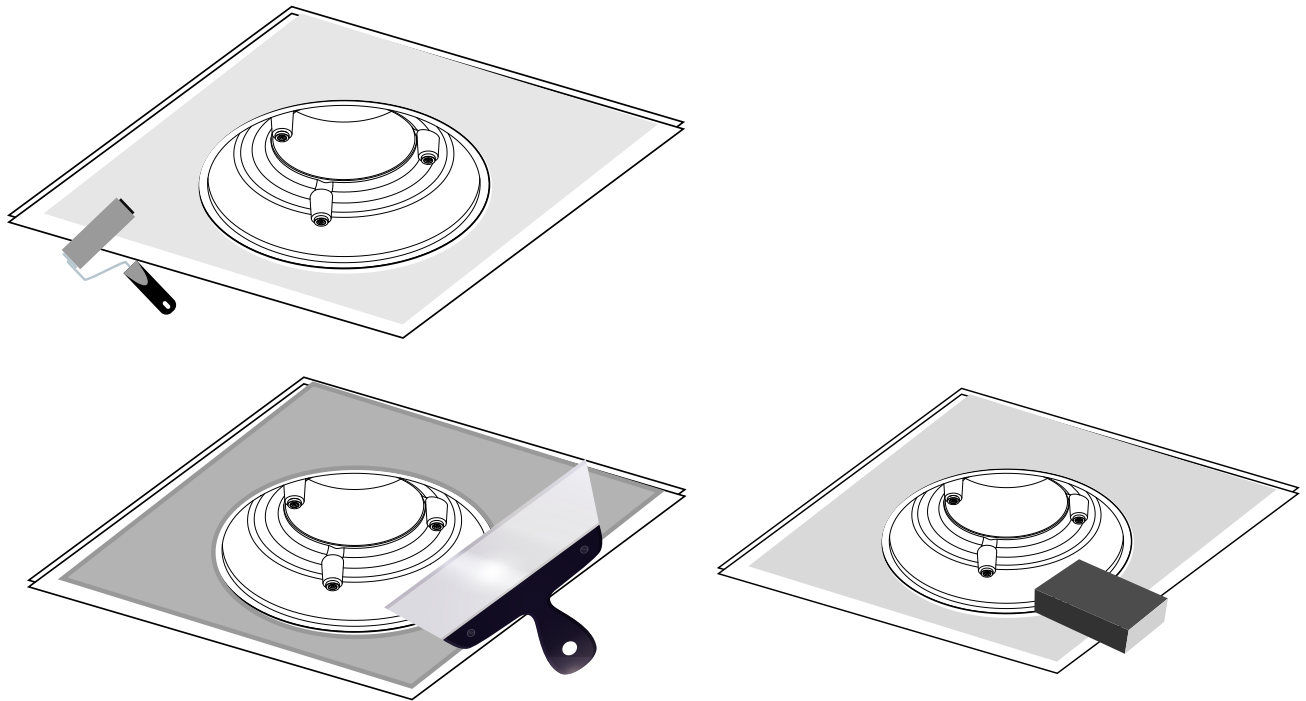
Dust the surfaces and slits. Apply the primer ("Knauf Tiefengrund" or similar).
When dry, putty (use "Knauf Fugenfüller" or similar) the slit between the diffuser and drywall.
When the spackling paste is dry, grind on the surface.

2



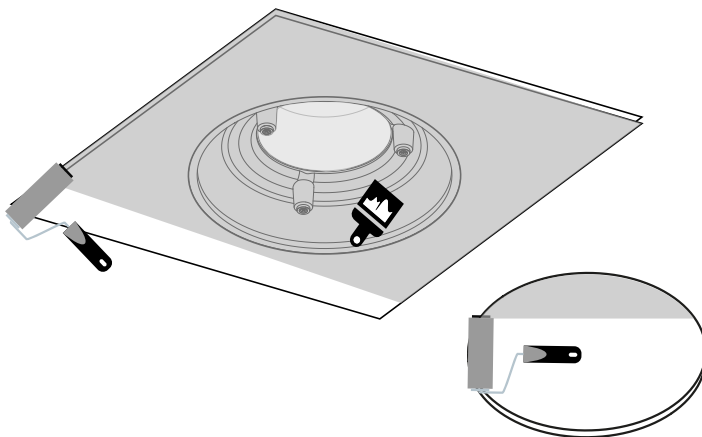
Apply the primer ("Knauf Tiefengrund" or similar).
Apply the spackling paste ("Knauf HP Finish" or similar) onto drywall.
Glue the glass cloth.
Spread it over with a putty knife.
When dry, cut out along the diffuser's outline..

3



Apply the primer ("Knauf Tiefengrund" or similar).
When dry, putty ("Knauf HP Finish" or similar) and grind on the surface.

4



Apply the primer (the one recommended by the paint's manufacturer).
Paint the diffuser and the drywall.
For highly humid rooms, use the appropriate high-humidity primer and paint.

ADJUSTING AIR FLOW

Air flow is adjusted via the round throttle (not included in the delivery set and must be ordered separately). To adjust, remove the inserts from the throttle as necessary and place it in the diffuser's spigot.

