



Electric actuator BELIMO LF230/LF24

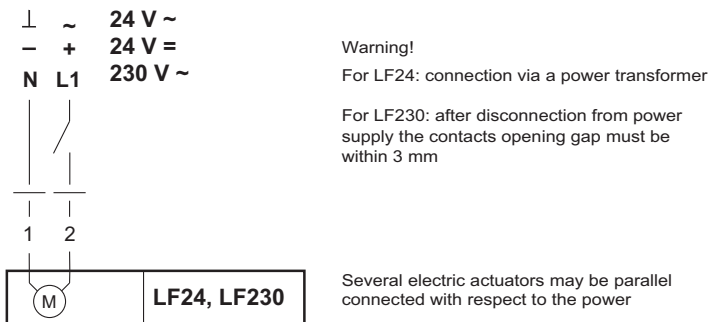
Use

- For controlling air dampers with cross section up to 0.8 m² installed in various ventilation and air conditioning systems and performing protection functions.

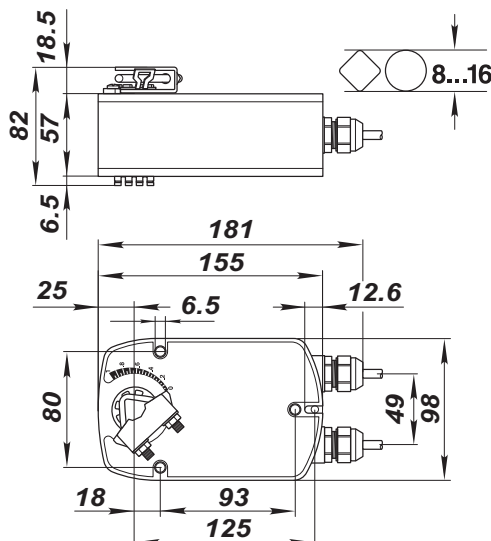
Design

- The electric actuator is provided with a 4 Nm actuating torque and an overload protection.
- The actuator is installed directly on the air damper shaft.
- The actuator is equipped with a return spring, which moves the damper to its operating position while tensioning the return spring at the same time. In case of power supply cut-off, the damper moves back to its safe position by the spring energy.
- The angle of rotation is adjusted by mechanical end stops.

Wiring diagram



Overall dimensions



Technical data

| | LF24 | LF230 |
|--|--|--------------------------------|
| Voltage | 24 V ~ 50/60 Hz, 24 V = | 230 V ~ 50/60 Hz |
| Nominal voltage range [V] | 19.2...28.8 ~ 21.6...28.8 V = | 198...264 ~ |
| Rated power [VA] | 7 (max. I 5.8 A at t = 5 ms) | 7 (max. I 150 mA at t = 10 ms) |
| Power consumption in operation / at rest [W] | 5 / 2,5 | 5 / 3 |
| Connecting cable | 1 m long, 2 x 0.75 mm ² | |
| Direction of rotation | determined by L/R positioning | |
| Torque (motor / spring) [Nm] | 4 (at nominal voltage) / 4 | |
| Angle of rotation | max. 95°, adjustable 37...100 % with a mechanical end stop | |
| Swing time (motor / spring) [sec] | 40...75 (0...4 Nm) / ~ 20 at -20...50 °C | |
| Service life | 60 000 switching operations | |
| Ingress protection rating | IP54 (installation with cable downwards) | |
| Electrical protection class | III low voltage II totally insulated | |
| Operation temperature [°C] | -30...+50 | |
| Storage temperature [°C] | -40...+80 | |
| Ambient humidity | 95 %, no condensation | |
| Noise level (motor/ spring) [dBA] | 50 / ≈ 62 | |
| Maintenance | not required | |
| Weight [kg] | 1.4 | |