



Electric actuator **BELIMO** CM230/CM24

■ Use

- For controlling air dampers with cross section up to 0.4 m² installed in various ventilation and air conditioning systems.

■ Design

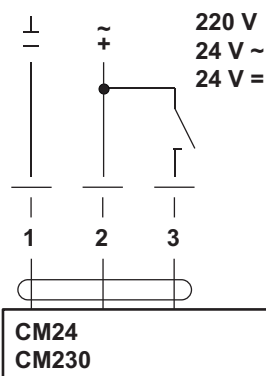
- The electric actuator is provided with a 2 Nm actuating torque and an overload protection.
- The actuator is installed directly on the air damper shaft.
- The angle of rotation is adjusted by mechanical end stops.

■ Control

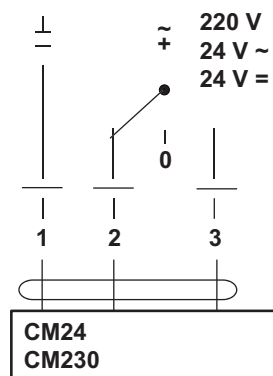
- The air flow control damper can be controlled by means of the three-point or open-close controlling.

■ Wiring diagram

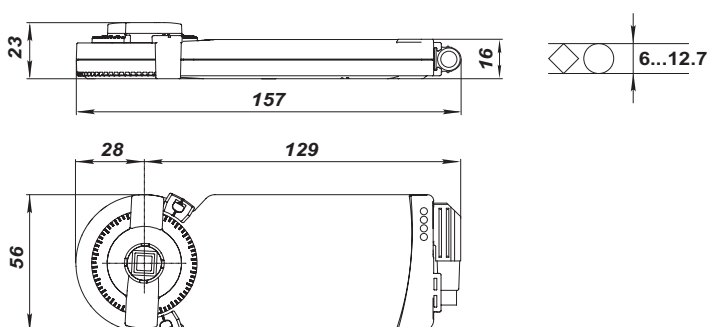
Open-Close controlling



3 point controlling



■ Overall dimensions



■ Technical data

	CM24	CM230
Voltage	24 B ~ 50/60 Hz, 24 V=	230 V ~ 50/60 Hz
Nominal voltage range [V]	19.2...28.8 ~ 19.2...28.8 =	85...265 ~
Rated power [VA]	1	2
Power consumption in operation / at rest [W]	0.5 / 0.5	1 / 1
Connecting cable	1 m long, 3 x 0.75 mm ²	
Positioning accuracy	± 5 %	
Direction of rotation	determined by terminal connection	
Torque [Nm]	2 (at nominal voltage)	
Angle of rotation: – no end stop – with an end stop	endless fixed 315° / adjustable 0...287.5° in 2.5° increments	
Swing time	75 sec / 90°	
Position indication	mechanical	
Ingress protection rating	IP54 at any mounting position	
Electrical protection class	III low voltage II totally insulated	
Operation temperature [°C]	-30...+50	
Storage temperature [°C]	-40...+80	
Ambient humidity	95 %, no condensation	
Noise level [dBA]	35	
Maintenance	not required	
Weight [kg]	0.13	