



Electric actuator BELIMO LM230A/LM24A

■ Use

- For controlling air dampers with cross section up to 1 m² installed in various ventilation and air conditioning systems.

■ Design

- The electric actuator is provided with a 5 Nm actuating torque and an overload protection.
- The actuator is installed directly on the air damper shaft.
- The angle of rotation is adjusted by mechanical end stops.

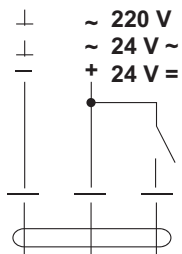
■ Control

- The air flow control damper can be controlled by means of the three-point or open-close controlling.

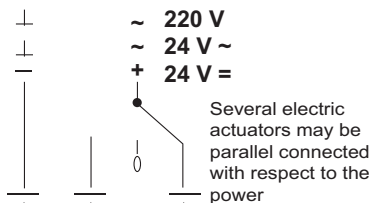
■ Wiring diagram

Open-Close controlling

3 point controlling

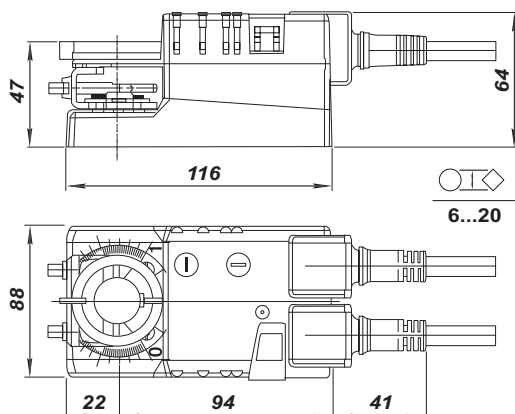


LM230A
LM24A



LM230A
LM24A

■ Overall dimensions



■ Technical data

	LM24A	LM230A
Voltage	24 V ~ 50/60 Hz, 24 V=	230 V ~ 50/60 Hz
Nominal voltage range [V]	19.2...28.8 ~ 19.2...28.8 =	85...265 ~
Rated power [VA]	2	4
Power consumption [W]	1	1,5
Feedback potentiometer	integrated 5 kOhm ± 5 %	
Connecting cable	1 m long, 3 x 0.75 mm ²	
Direction of rotation	selected by 0/1 switch positioning	
Mechanical control	self-resetting button	
Torque [Nm]	5 (at nominal voltage)	
Angle of rotation:	max. 95°, adjustable with mechanical end stops	
Swing time	150 sec	
Position indication	mechanical	
Ingress protection rating	IP54 at any mounting position	
Electrical protection class	III low voltage II totally insulated	
Operation temperature [°C]	-30...+50	
Storage temperature [°C]	-40...+80	
Ambient humidity	95 %, no condensation	
Noise level [dBA]	35	
Maintenance	not required	
Weight [kg]	0.6	