

Axis-QB

Belt-driven axial fans

Use

- Wall axial belt-driven fan for high flowrates and low RPM.
- Designed for wall assembly, they are suitable for:
 - Air renewal in buildings and industries.
 - Farms and greenhouses.



Air flow:
up to 44 000 m³/h
12 222 l/s



Power:
from 0.75 kW



Noise level:
from 61 dBA



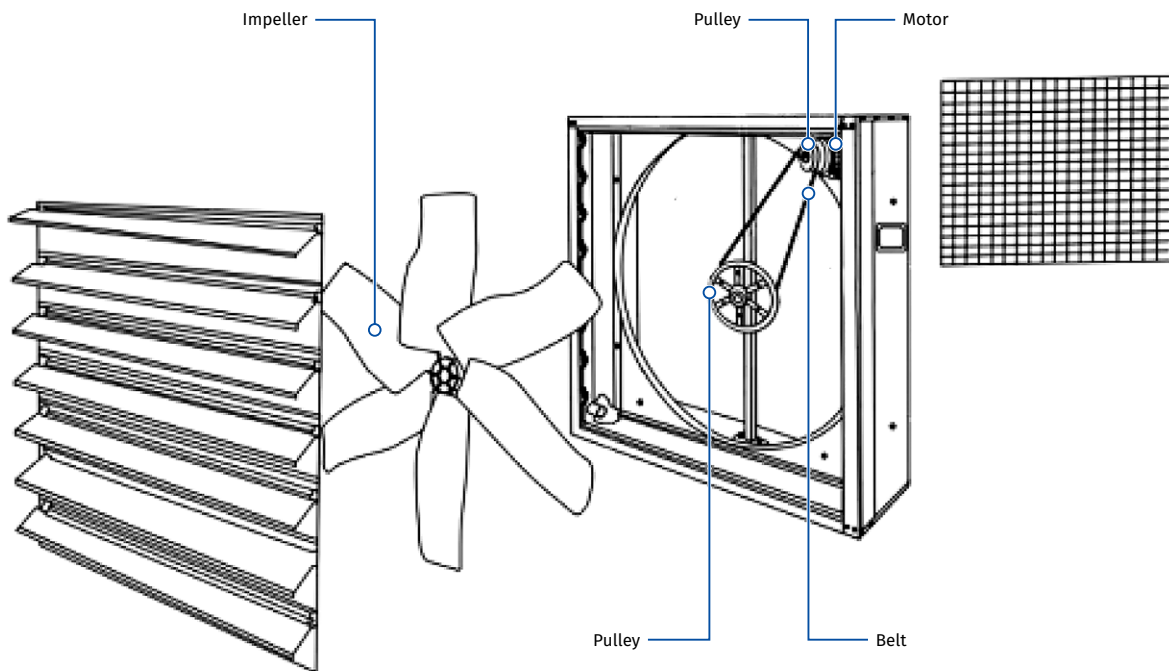
Design

- The shell is made of thick galvanized sheet material, which has stronger corrosion resistance, high strength and strong deformation resistance.
- The shutter adopts a centrifugal push-pull closed structure, which has good sealing and avoids air flow back.
- Adopt the high-quality alloy aluminum shell motor specially developed by Gofee for fans, with protection class IP67, insulation class F, high protection level, low operating noise, high efficiency, and the internal overload protection device of the motor can protect under extreme conditions Motor function to increase service life.
- Cast aluminum wheels, light material, high strength, good toughness, no breakage.

- 6 stainless steel fan blades, no break, no deformation, beautiful appearance, corrosion resistance, high strength, low running noise, large air volume.
- It can be driven by diagonal belt or flexible belt, with high abrasion resistance and more convenient maintenance and installation.

Motor

- Standart asynchronous squirrel-cage motor with IP 67 protection and class F insulation. Standart voltage, three phase 4 pole motor, 380 V 50 Hz.

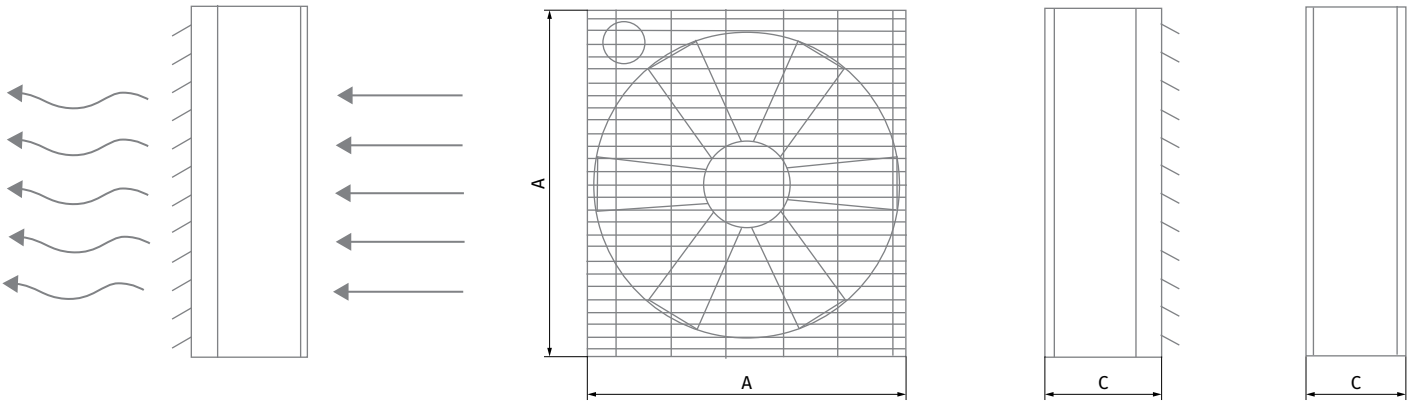


Designation key

Series	Dimension type	Motor Phase	Number of poles	Motor power [kW]
Axis-QB: belt-driven axial fan	800; 1000; 1400	D: three-phase	4	0.37; 0.75; 1.1

Overall dimensions [mm]

Model	A	C	Weight [kg]
Axis-QB 800 4D 0.37	800	450	33
Axis-QB 1000 4D 0.75	1000	450	48
Axis-QB 1400 4D 1.1	1380	450	75



Technical data

Parameters	Axis-QB 800 4D 0.37	Axis-QB 1000 4D 0.75	Axis-QB 1400 4D 1.1
Rated voltage [V]	380	380	380
Frequency [Hz]	50	50	50
Power [W]	410	760	1065
Current [A]	1.07	2	2.8
Maximum air flow [m³/h]	10700	21000	44000
RPM [min ⁻¹]	605	605	605
Sound pressure at 3 m [dBA]	65	62	61
Energy efficiency ratio [W/(m³/h)]	23	23	31
Motor IP rating	IP67-	IP67	IP67

