

# BLAUBOX DE PRO

## Supply suspended ventilation units

### Features

- Ventilation units for efficient supply ventilation in various premises.
- Controllable air supply, heating and filtration.
- Compatible with 400x200, 500x300 and 600x350 mm rectangular air ducts.



**Air flow:**  
up to 3350 m<sup>3</sup>/h  
931 l/s

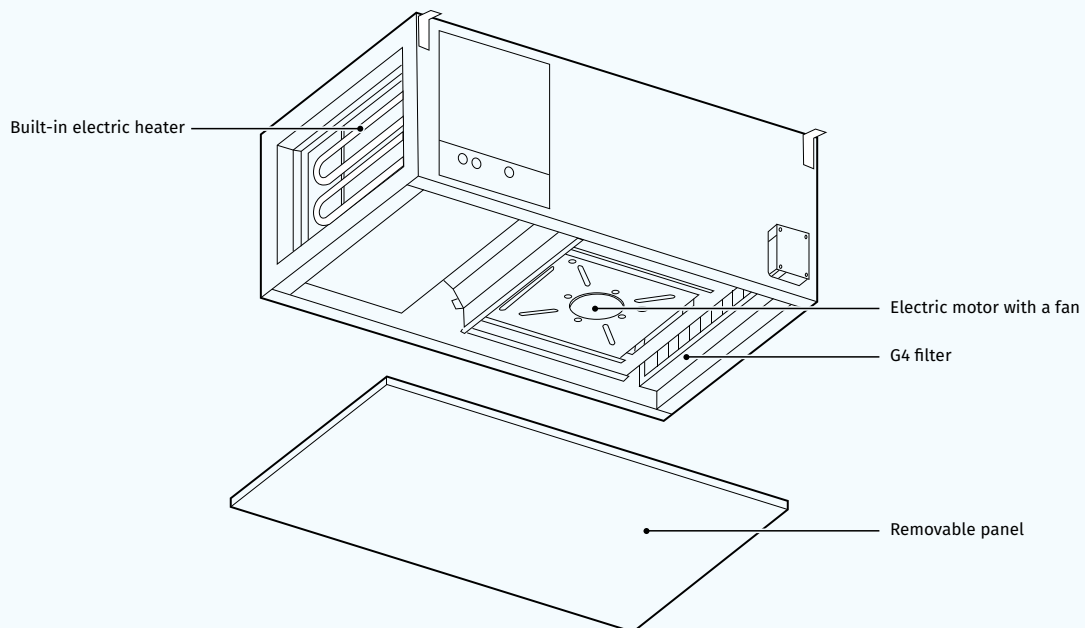


### Design

- The casing is made of double-skinned aluzinc panels, internally filled with 50 mm mineral wool layer for heat and sound insulation.
- The casing has fixing brackets with vibration absorbing connectors for easy installation.
- The hinged casing panel ensures easy access to the internals for cleaning, filter replacement and other maintenance operations.

### Fans

- Asynchronous external rotor motor and centrifugal high-pressure impeller with backward curved blades is used for air supply.
- Integrated motor overheating protection with automatic restart.
- Dynamically balanced impeller.
- Equipped with ball bearings for longer service life.
- Reliable and quiet operation.



### Air heater

- The units are equipped with an electric heater for operation during cold seasons at low outside temperature.
- Two integrated overheat protection thermostats, one actuated at +60 °C with automatic restart and the other one actuated at +90 °C with manual restart.

### Air filtration

- The built-in G4 supply filter provides air filtration.

### Control and automation

- The units incorporate an integrated control system with a wall-mounted control panel and LCD display.
- The standard delivery set includes a 10 m cable for connection of the unit and the control panel.
- **Control panel functions:**
  - Activating/deactivating the unit.
  - Setting low, medium and high speeds for the supply fan. Air flow control.
  - Supply air setting and maintaining.
  - Display of indoor air temperature.
  - Display of errors (alarms) and filter replacement indication.
  - Setting or week-scheduled operation of the unit.

### Automation functions:

- Overheating protection of the electric heating elements.
- Disabling heater activation during the fan shutoff.
- Filter clogging control with a pressostat.
- All the operation parameters are individually adjustable.

### Mounting

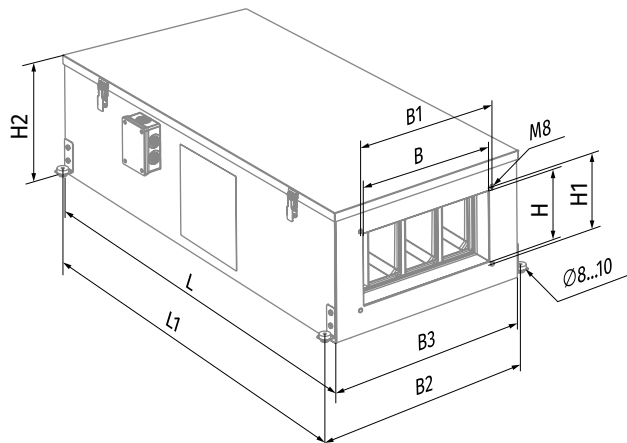
- The unit is suitable for mounting on the floor, ceiling mounting or wall mounting with fixing brackets in any mounting position except for the vertical one with air flow downwards.
- Wiring via the terminal block in the terminal box.
- The correct mounted unit must provide free access to the hinged panel for servicing and filter replacement.

### Designation key

| Series  | Casing modification   | Heater type        | Rated air flow [m³/h] | Electric heater power [kW] | Control                 |
|---------|-----------------------|--------------------|-----------------------|----------------------------|-------------------------|
| BLAUBOX | D: Suspended mounting | E: electric heater | 1300; 2500; 3300      | — 12; 18; 21               | Pro: with control panel |

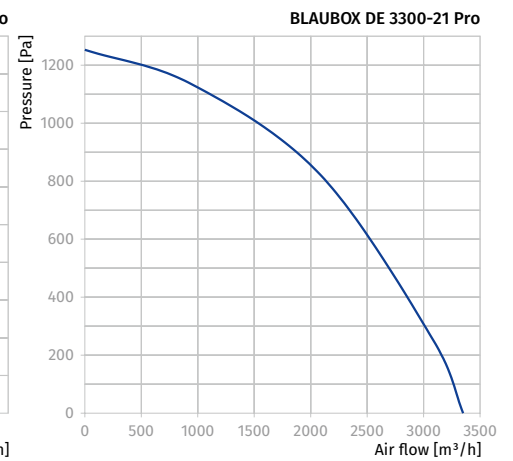
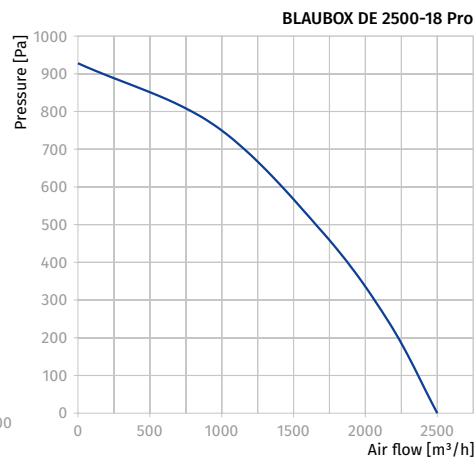
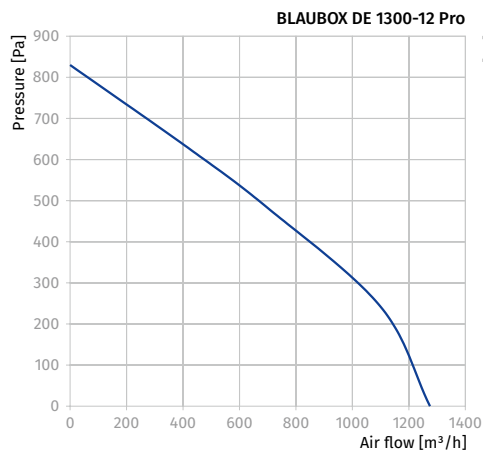
### Overall dimensions [mm]

| Model                  | B   | B1  | B2  | B3  | H   | H1  | H2  | L    | L1   |
|------------------------|-----|-----|-----|-----|-----|-----|-----|------|------|
| BLAUBOX DE 1300-12 Pro | 400 | 420 | 624 | 582 | 200 | 220 | 374 | 1145 | 1106 |
| BLAUBOX DE 2500-18 Pro | 500 | 520 | 689 | 646 | 300 | 320 | 447 | 1250 | 1212 |
| BLAUBOX DE 3300-21 Pro | 600 | 620 | 888 | 744 | 350 | 370 | 500 | 1252 | 1212 |



**Technical data**

| Parameters                                 | BLAUBOX DE 1300-12 Pro | BLAUBOX DE 2500-18 Pro | BLAUBOX DE 3300-21 Pro |
|--|------------------------|------------------------|------------------------|
| Voltage [V / 50 Hz]                        | 3 ~ 400                | 3 ~ 400                | 3 ~ 400                |
| Power [kW]                                 | 0.32                   | 0.62                   | 1.33                   |
| Current [A]                                | 0.55                   | 1.05                   | 2.4                    |
| Electric heater power [kW]                 | 12.0                   | 18.0                   | 21.0                   |
| Electric heater current [A]                | 17.4                   | 26.0                   | 30.0                   |
| Unit power [kW]                            | 12.32                  | 18.62                  | 22.33                  |
| Unit current [A]                           | 17.95                  | 27.05                  | 32.4                   |
| Maximum air flow [m <sup>3</sup> /h (l/s)] | 1275 (354)             | 2500 (695)             | 3350 (931)             |
| RPM [min <sup>-1</sup> ]                   | 2700                   | 2690                   | 2730                   |
| Sound pressure level at 3 m [dBA]          | 51                     | 54                     | 57                     |
| Transported air temperature [°C]           | -25...+40              | -25...+40              | -25...+40              |
| Casing material                            | aluzinc                | aluzinc                | aluzinc                |
| Insulation                                 | 50 mm mineral wool     | 50 mm mineral wool     | 50 mm mineral wool     |
| Filter                                     | G4                     | G4                     | G4                     |
| Connected air duct diameter [mm]           | 400x200                | 500x300                | 600x350                |
| Weight [kg]                                | 56                     | 61                     | 91                     |
| ErP  | 2016, 2018             | 2016, 2018             | 2016, 2018             |



**Accessories**

|                                   |   | BLAUBOX DE 1300-12 Pro | BLAUBOX DE 2500-18 Pro | BLAUBOX DE 3300-21 Pro |
|-----------------------------------|---|------------------------|------------------------|------------------------|
| G4 panel filter                   |    | FP 442x275x47 G4       | FP 442x275x47 G4       | FP 545x390x47 G4       |
| Silencer                          |    | SD 40x20               | SD 50x30               | SD 60x35               |
| Duct cooling unit                 |    | KFK 40x20-3            | KFK 50x30-3            | KFK 60x35-3            |
| Duct cooling unit                 |    | KWK 40x20-3            | KWK 50x30-3            | KWK 60x35-3            |
| Air flow dampers                  |    | SL 40x20               | SL 50x30               | SL 560x35              |
| Flexible anti-vibration connector |   | EVA 40x20              | EVA 50x30              | EVA 60x35              |
| Air damper electric actuator      |  | LF230                  | LF230                  | LF230                  |
| Air damper electric actuator      |  | TF230                  | TF230                  | TF230                  |