

BLAUBOX DE PRO

Supply suspended ventilation units

Features

- Ventilation units for efficient supply ventilation in various premises.
- Controllable air supply, heating and filtration.
- Compatible with 400x200, 500x300 and 600x350 mm rectangular air ducts.



Air flow:
up to 3350 m³/h
931 l/s

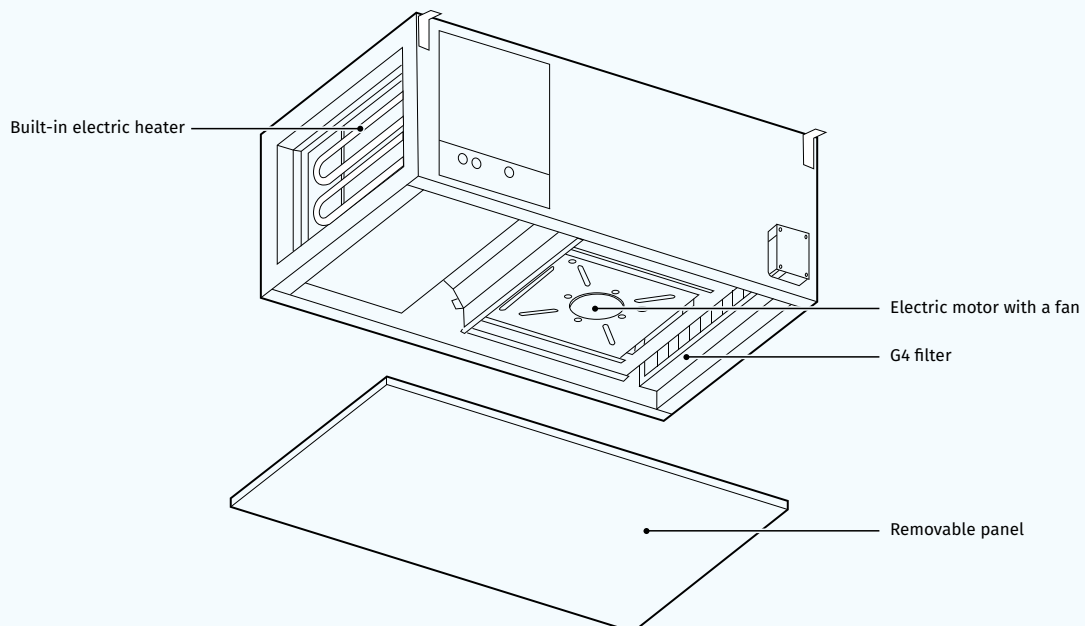


Design

- The casing is made of double-skinned aluzinc panels, internally filled with 50 mm mineral wool layer for heat and sound insulation.
- The casing has fixing brackets with vibration absorbing connectors for easy installation.
- The hinged casing panel ensures easy access to the internals for cleaning, filter replacement and other maintenance operations.

Fans

- Asynchronous external rotor motor and centrifugal high-pressure impeller with backward curved blades is used for air supply.
- Integrated motor overheating protection with automatic restart.
- Dynamically balanced impeller.
- Equipped with ball bearings for longer service life.
- Reliable and quiet operation.



Air heater

- The units are equipped with an electric heater for operation during cold seasons at low outside temperature.
- Two integrated overheat protection thermostats, one actuated at +60 °C with automatic restart and the other one actuated at +90 °C with manual restart.

Air filtration

- The built-in G4 supply filter provides air filtration.

Control and automation

- The units incorporate an integrated control system with a wall-mounted control panel and LCD display.
- The standard delivery set includes a 10 m cable for connection of the unit and the control panel.
- **Control panel functions:**
 - Activating/deactivating the unit.
 - Setting low, medium and high speeds for the supply fan. Air flow control.
 - Supply air setting and maintaining.
 - Display of indoor air temperature.
 - Display of errors (alarms) and filter replacement indication.
 - Setting or week-scheduled operation of the unit.

Automation functions:

- Overheating protection of the electric heating elements.
- Disabling heater activation during the fan shutoff.
- Filter clogging control with a pressostat.
- All the operation parameters are individually adjustable.

Mounting

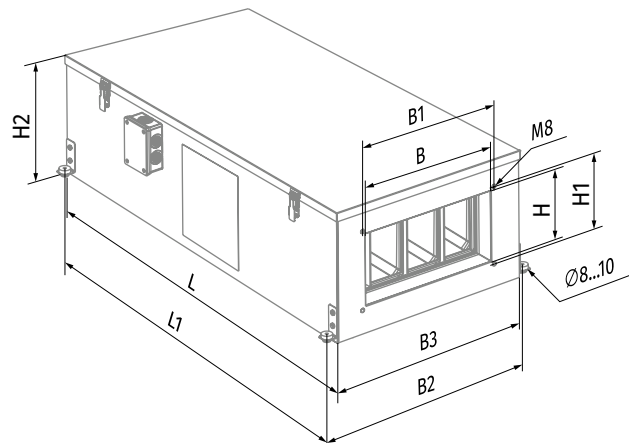
- The unit is suitable for mounting on the floor, ceiling mounting or wall mounting with fixing brackets in any mounting position except for the vertical one with air flow downwards.
- Wiring via the terminal block in the terminal box.
- The correct mounted unit must provide free access to the hinged panel for servicing and filter replacement.

Designation key

Series	Casing modification	Heater type	Rated air flow [m³/h]	Electric heater power [kW]	Control
BLAUBOX	D: Suspended mounting	E: electric heater	1300; 2500; 3300	– 12; 18; 21	Pro: with control panel

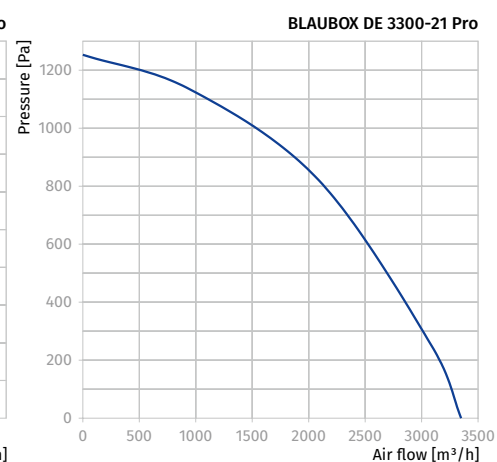
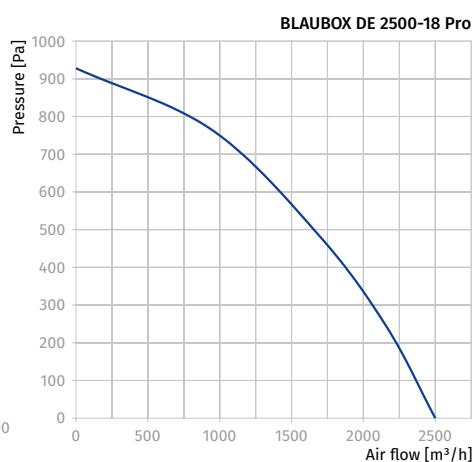
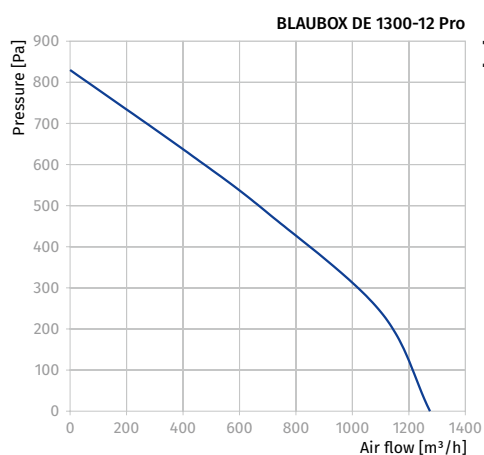
Overall dimensions [mm]

Model	B	B1	B2	B3	H	H1	H2	L	L1
BLAUBOX DE 1300-12 Pro	400	420	624	582	200	220	374	1145	1106
BLAUBOX DE 2500-18 Pro	500	520	689	646	300	320	447	1250	1212
BLAUBOX DE 3300-21 Pro	600	620	888	744	350	370	500	1252	1212



Technical data

Parameters	BLAUBOX DE 1300-12 Pro	BLAUBOX DE 2500-18 Pro	BLAUBOX DE 3300-21 Pro
Voltage [V / 50 Hz]	3 ~ 400	3 ~ 400	3 ~ 400
Power [kW]	0.32	0.62	1.33
Current [A]	0.55	1.05	2.4
Electric heater power [kW]	12.0	18.0	21.0
Electric heater current [A]	17.4	26.0	30.0
Unit power [kW]	12.32	18.62	22.33
Unit current [A]	17.95	27.05	32.4
Maximum air flow [m ³ /h (l/s)]	1275 (354)	2500 (695)	3350 (931)
RPM [min ⁻¹]	2700	2690	2730
Sound pressure level at 3 m [dBA]	51	54	57
Transported air temperature [°C]	-25...+40	-25...+40	-25...+40
Casing material	aluzinc	aluzinc	aluzinc
Insulation	50 mm mineral wool	50 mm mineral wool	50 mm mineral wool
Filter	G4	G4	G4
Connected air duct diameter [mm]	400x200	500x300	600x350
Weight [kg]	56	61	91
ErP	2016, 2018	2016, 2018	2016, 2018



Accessories

		BLAUBOX DE 1300-12 Pro	BLAUBOX DE 2500-18 Pro	BLAUBOX DE 3300-21 Pro
G4 panel filter		FP 442x275x47 G4	FP 442x275x47 G4	FP 545x390x47 G4
Silencer		SD 40x20	SD 50x30	SD 60x35
Duct cooling unit		KFK 40x20-3	KFK 50x30-3	KFK 60x35-3
Duct cooling unit		KWK 40x20-3	KWK 50x30-3	KWK 60x35-3
Air flow dampers		SL 40x20	SL 50x30	SL 560x35
Flexible anti-vibration connector		EVA 40x20	EVA 50x30	EVA 60x35
Air damper electric actuator		LF230	LF230	LF230
Air damper electric actuator		TF230	TF230	TF230