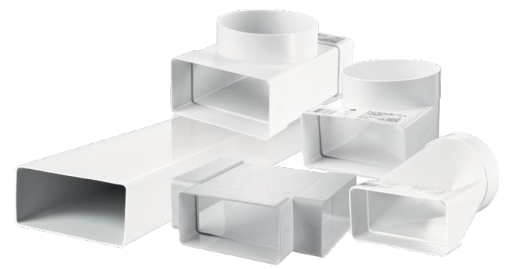


BLAUPLAST

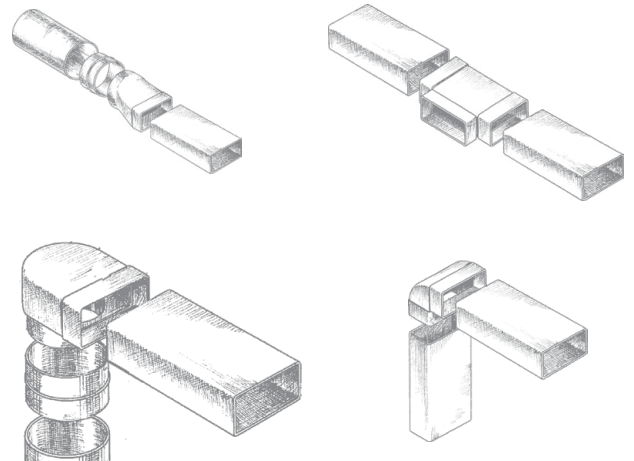
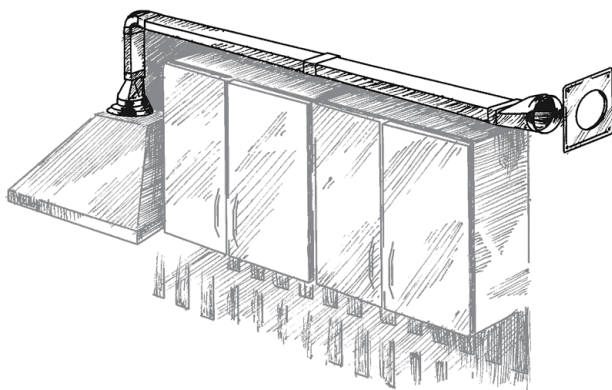
FLAT PLASTIC DUCT SYSTEM

The **BlauPlast flat plastic duct system** is the best suitable solution for arranging supply and exhaust ventilation for residential or office premises. The BlauPlast system is used for connection of cooker hoods, kitchen hoods, cowls, etc. to the general ventilation system



Features

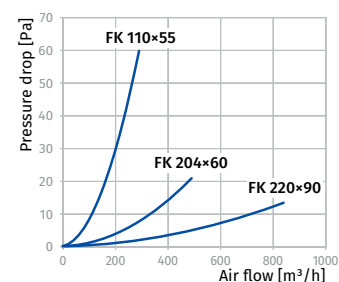
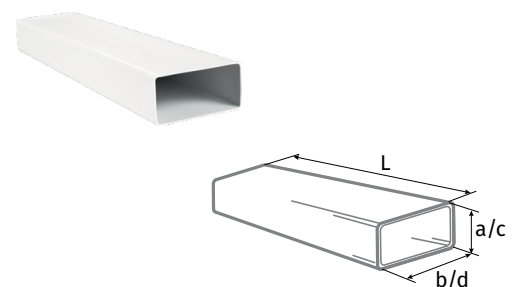
- Smooth inner surface ensures low air resistance and low noise level in the system.
- Wide range of available components allows assembling ventilation of any configuration and complexity.
- Exact matching of the components ensures perfect connection and integration into the ventilation system.
- Ergonomic fixing system and modular design shortens required installation and rework time.
- Versatile connectors and reducers provide combination of flat and round ventilation ductworks.
- Compact sizes make the system suitable for installation in brand new or newly refurbished premises.



Flat air duct FK

- Made of white PVC

Model	a × b (Inner size) [mm]	c × d (Outer size) [mm]	L (Length) [m]
BlauPlast FK 110x55/0.35	52 × 107	55 × 110	0.35
BlauPlast FK 110x55/0.5	52 × 107	55 × 110	0.5
BlauPlast FK 110x55/1	52 × 107	55 × 110	1.0
BlauPlast FK 110x55/1.5	52 × 107	55 × 110	1.5
BlauPlast FK 110x55/2.0	52 × 107	55 × 110	2.0
BlauPlast FK 110x55/2.5	52 × 107	55 × 110	2.5
BlauPlast FK 204x60/0.35	57 × 200	60 × 204	0.35
BlauPlast FK 204x60/0.5	57 × 200	60 × 204	0.5
BlauPlast FK 204x60/1	57 × 200	60 × 204	1.0
BlauPlast FK 204x60/1.5	57 × 200	60 × 204	1.5
BlauPlast FK 204x60/2.0	57 × 200	60 × 204	2.0
BlauPlast FK 204x60/2.5	57 × 200	60 × 204	2.5
BlauPlast FK 220x90/0.35	86 × 216	90 × 220	0.35
BlauPlast FK 220x90/0.5	86 × 216	90 × 220	0.5
BlauPlast FK 220x90/1	86 × 216	90 × 220	1.0
BlauPlast FK 220x90/1.5	86 × 216	90 × 220	1.5
BlauPlast FK 220x90/2.0	86 × 216	90 × 220	2.0
BlauPlast FK 220x90/2.5	86 × 216	90 × 220	2.5



Data for 1-meter-long air duct section