

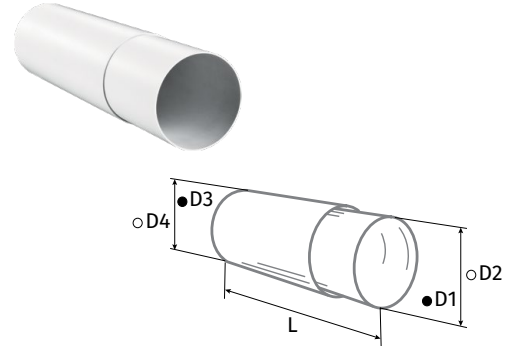
BLAUPLAST

ROUND PLASTIC DUCT SYSTEM

Round telescopic duct RTR

- Made of white PVC
- Extension piece

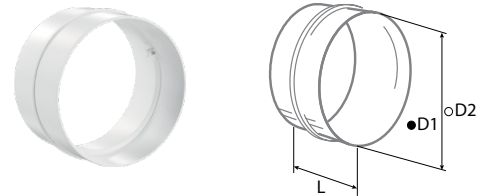
Model	Inner duct		Outer duct		L (Length) [m]
	∅ D1 (Inner) [mm]	∅ D2 (Outer) [mm]	∅ D1 (Inner) [mm]	∅ D2 (Outer) [mm]	
BlauPlast RTR 100/0.35-0.5	104	107	100	103	0.35-0.5
BlauPlast RTR 100/0.5-1	104	107	100	103	0.5-1
BlauPlast RTR 125/0.35-0.5	129	132	125	128	0.35-0.5
BlauPlast RTR 125/0.5-1	129	132	125	128	0.5-1
BlauPlast RTR 150/0.35-0.5	154	157	150	153	0.35-0.5
BlauPlast RTR 150/0.5-1	154	157	150	153	0.5-1



Round duct connector RV

- Direct connection with round air ducts RR
- Made of white plastic

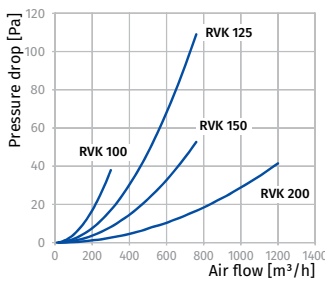
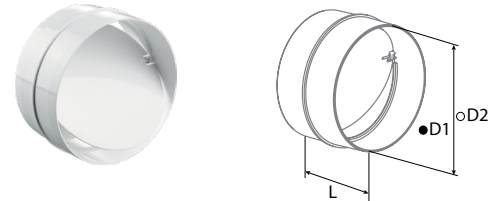
Model	∅ D1 (Inner) [mm]	∅ D2 (Outer) [mm]	L (Length) [mm]
BlauPlast RV 100	96	100	62
BlauPlast RV 125	123	125	62
BlauPlast RV 150	148	150	62
BlauPlast RV 200	197	200	62



Connector with backdraft damper for round ducts RVK

- Connection of same diameter air ducts
- Made of white plastic
- Equipped with a backdraft damper for back flow prevention
- Designed for direct installation into air duct and equipped with a lock ring

Model	∅ D1 (Inner) [mm]	∅ D2 (Outer) [mm]	L (Length) [mm]
BlauPlast RVK 100	96	100	62
BlauPlast RVK 125	123	125	62
BlauPlast RVK 150	148	150	62
BlauPlast RVK 200	197	200	62



Flexible duct connector RSV

- Mounting with round ducts through connector RV
- Made of white plastic

Model	∅ D1 (Inner) [mm]	∅ D2 (Outer) [mm]	L (Length) [mm]
BlauPlast RSV 100	100	103	60
BlauPlast RSV 125	125	128	60
BlauPlast RSV 150	150	153	60
BlauPlast RSV 200	200	204	60

