

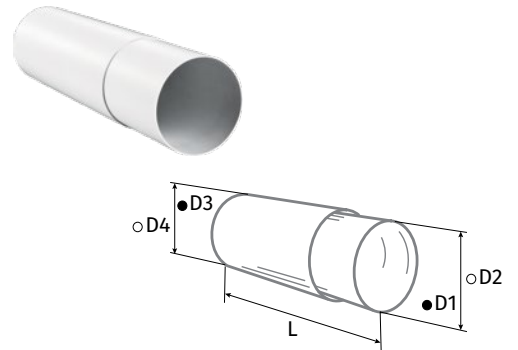
# BLAUPLAST

## ROUND PLASTIC DUCT SYSTEM

### Round telescopic duct RTR

- Made of white PVC
- Extension piece

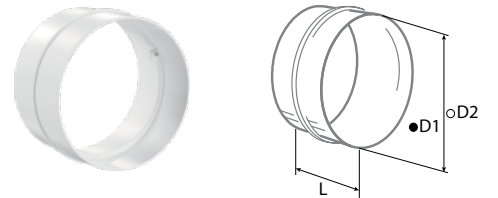
Model	Inner duct Ø D1 (Inner)	Ø D2 (Outer)	Outer duct Ø D1 (Inner)	Ø D2 (Outer)	L (Length)
BlauPlast RTR 100/0.35-0.5	104 mm	107 mm	100 mm	103 mm	0.35-0.5 m
BlauPlast RTR 100/0.5-1	104 mm	107 mm	100 mm	103 mm	0.5-1 m
BlauPlast RTR 125/0.35-0.5	129 mm	132 mm	125 mm	128 mm	0.35-0.5 m
BlauPlast RTR 125/0.5-1	129 mm	132 mm	125 mm	128 mm	0.5-1 m
BlauPlast RTR 150/0.35-0.5	154 mm	157 mm	150 mm	153 mm	0.35-0.5 m
BlauPlast RTR 150/0.5-1	154 mm	157 mm	150 mm	153 mm	0.5-1 m



### Round duct connector RV

- Direct connection with round air ducts RR
- Made of white plastic

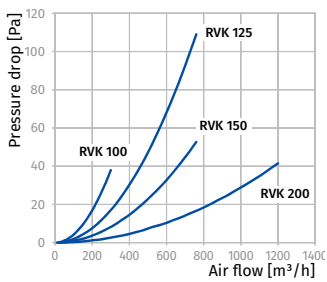
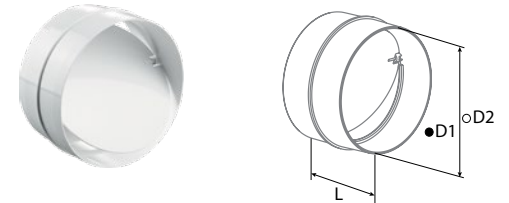
Model	Ø D1 (Inner)	Ø D2 (Outer)	L (Length)
BlauPlast RV 100	96 mm	100 mm	62 mm
BlauPlast RV 125	123 mm	125 mm	62 mm
BlauPlast RV 150	148 mm	150 mm	62 mm
BlauPlast RV 200	197 mm	200 mm	62 mm



### Connector with backdraft damper for round ducts RVK

- Connection of same diameter air ducts
- Made of white plastic
- Equipped with a backdraft damper for back flow prevention
- Designed for direct installation into air duct and equipped with a lock ring

Model	Ø D1 (Inner)	Ø D2 (Outer)	L (Length)
BlauPlast RVK 100	96 mm	100 mm	62 mm
BlauPlast RVK 125	123 mm	125 mm	62 mm
BlauPlast RVK 150	148 mm	150 mm	62 mm
BlauPlast RVK 150	197 mm	200 mm	62 mm



### Flexible duct connector RSV

- Mounting with round ducts through connector RV
- Made of white plastic

Model	Ø D1 (Inner)	Ø D2 (Outer)	L (Length)
BlauPlast RSV 100	100 mm	103 mm	60 mm
BlauPlast RSV 125	125 mm	128 mm	60 mm
BlauPlast RSV 150	150 mm	153 mm	60 mm
BlauPlast RSV 200	200 mm	204 mm	60 mm

