

ATK-25 220/12

STEP-DOWN TRANSFORMERS

Features

- Low-voltage step-down transformers are used to ensure safe 12 V/50 Hz power supply for residential fans with maximum motor power 16 W (25 VA) and maximum load current 2 A.
- Compact casing made of high-quality plastic.
- **ATK-25 220/12 S** – the transformer is equipped with a pull-cord switch and a light indicator.
- The transformer has overload protection by thermal fuse.



Mounting

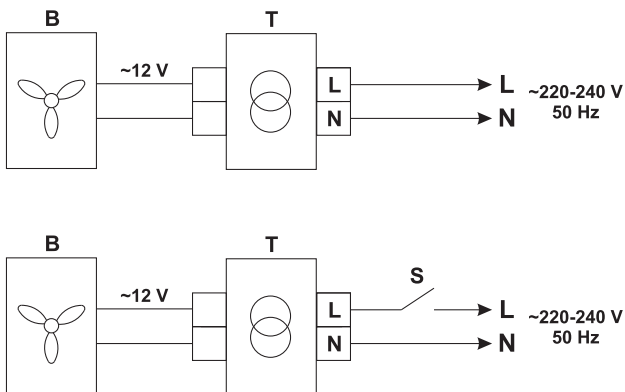
- Indoor installation in areas not subjected to high temperature and humidity.
- Designed for wall surface mounting. Provide free air circulation for cooling of internal circuits.
- Do not install the transformer above the heating equipment.

Technical data

Model	ATK-25 220/12
Voltage [V/Hz]	1~230/50
Output voltage [V/Hz]	12/50
Max power [W]	16 (25 VA)
Max current load [A]	2
Dimensions W × H × D [mm]	80 × 162 × 63
Max operating temperature [°C]	40



Wiring diagram



- B** – fan with safe 12 V voltage
- T** – protecting transformer
- S** – external switch