

# SGR-3/1

## MULTI-SPEED SWITCHES

### Features

- On/off switch and speed selection for multi-speed fans
- Casing made of high-quality plastic
- Glass sensor operating panel with three touch buttons for speed selection with light indication
- Wall flush mounting

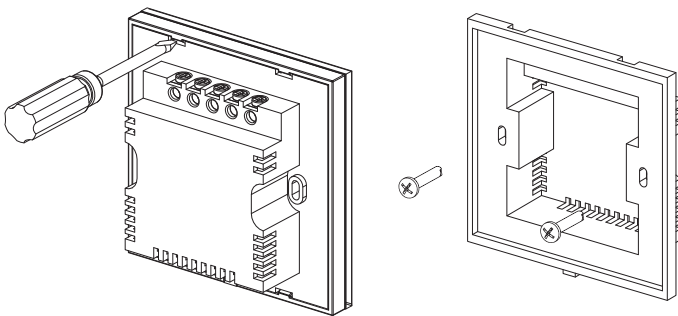


### Control

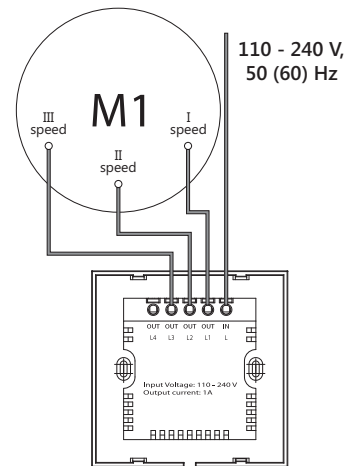
- Required speed is activated by touching the respectively marked speed button.
- The fan is turned off by touching the current speed button.

### Mounting

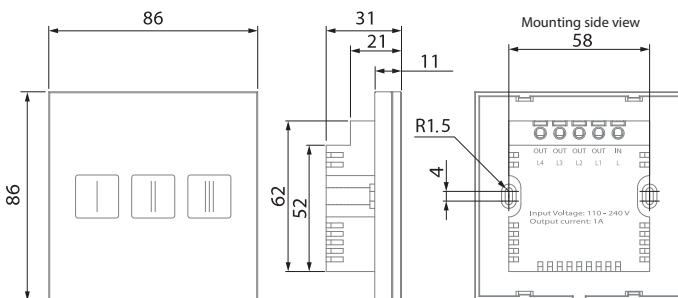
- Designed for wall mounting in a flush mounting box.



### Wiring diagram



### Overall dimensions [mm]



### Technical data

| Model                                  | SGR-3/1                           |
|--|-----------------------------------|
| Voltage [V/Hz]                         | 110-240/50 (60)                   |
| Max current load [A]                   | 1                                 |
| Number of speeds                       | 3                                 |
| Cable cross section [mm <sup>2</sup> ] | from 0.35 up to 1                 |
| Temperature range [°C]                 | -10...+45                         |
| Operating humidity range [%]           | from 5 up to 80 (no condensation) |
| Service life                           | 100 000 operations                |
| Weight [g]                             | 138                               |

