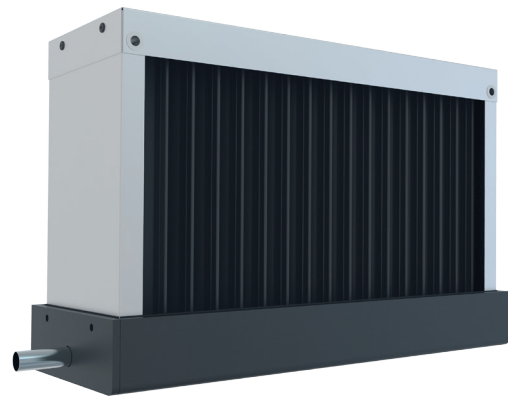


TA

Droplet separators

Use

- The droplet separators are designed to remove condensed droplets from the air in the ventilation air ducts.
- Designed for direct installation in a rectangular air duct.



Design

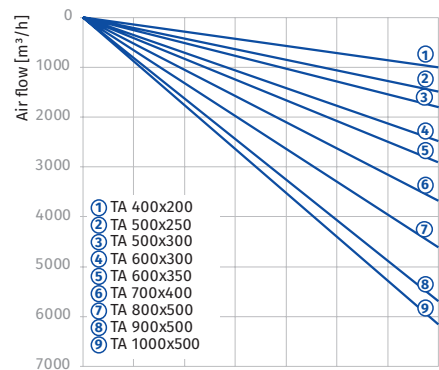
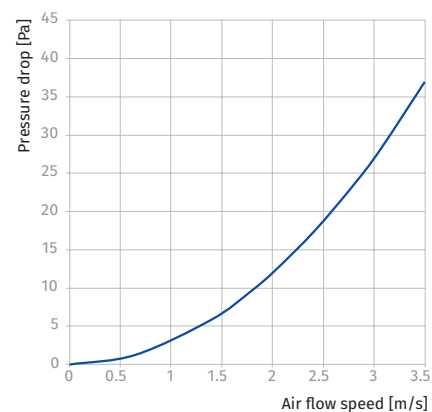
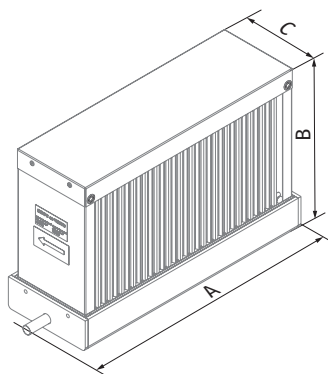
- The droplet separator casing is made of galvanised steel, which eliminates corrosion during the whole period of operation.
- The drop separator profiles are made of special plastic, which delays the maximum possible number of droplets in the stream.
- The frames have an optimal profile to minimize the loss of airflow pressure.
- The droplet separator is equipped with a removable drain pan of stainless steel with anti-condensation insulation. The drain pan is equipped with a 16 mm drain pipe, which can be installed both from left and right.

Mounting

- The droplet separator design ensures its mounting by means of flange connection.
- The air flow direction shall match the pointer on the droplet separator. Installation is carried out horizontally, with the condensate drain pan down.
- The droplet separators are installed in the air duct system downstream of the coolers and heat exchangers.

Overall dimensions [mm]

Model	A	B	C	Weight [kg]
TA 400x200	503	293	163	4.5
TA 500x250	603	343	163	5.7
TA 500x300	603	393	163	6.2
TA 600x300	703	393	163	7.1
TA 600x350	703	443	163	7.7
TA 700x400	803	493	163	9.3
TA 800x500	903	593	163	11.7
TA 900x500	1003	593	163	13
TA 1000x500	1103	593	163	14.2



Designation key	
Series	Flange dimensions (width x height) [mm]
TA	400x200; 500x250; 500x300; 600x300; 600x350; 700x400; 800x500; 900x500; 1000x500