

# CDP-2/10

## Multi-speed switch

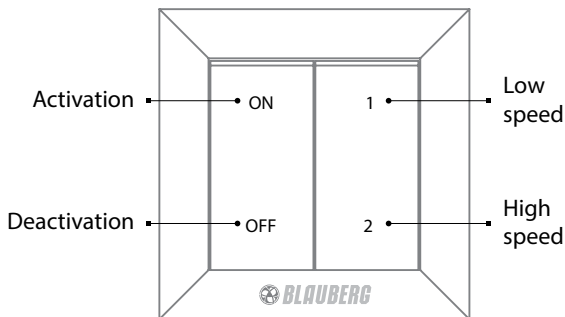
### Use

- Speed on/off switch and speed changeover for multi-speed fans
- Wall mounting in a flush mounting box
- Suitable for installation in standard electric junction boxes



### Control

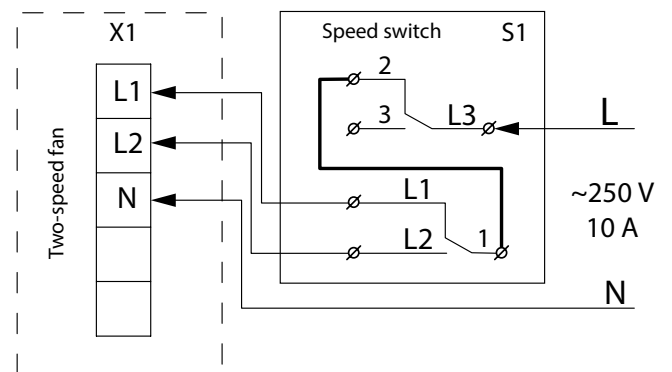
- Direct fan speed switching.



### Technical data

Parameters	CDP-2/10
Max. voltage [V]	250
Frequency [Hz]	50/60
Max. current load [A]	10
Cable cross section [mm <sup>2</sup> ]	0.35 ... 0.75
Temperature range [°C]	-10 ... +45
Operating humidity range [%]	5 ... 80 (no condensation)
Service life	1 000 000 switching operations
Weight [g]	98

### Wiring diagram



### Overall dimensions [mm]

