

Centro-MZ

Inline centrifugal fans

Use

- Supply and extract ventilation systems installed in various premises.
- The best solution both for humid indoor premises and outside areas.
- Compatible with Ø 100 up to 315 mm round air ducts.



Air flow:
up to 1540 m³/h
428 l/s



Power:
from 60 W



Noise level:
from 35 dBA



Design

- Galvanized steel casing.
- Aerodynamically shaped casing.
- External terminal block for power supply.

Motor

- Single-phase external rotor motor with a centrifugal impeller with backward curved blades.
- Equipped with ball bearings for longer service life.
- Integrated thermal protection with automatic restart.
- Dynamically balanced impeller.
- For ventilation of premises with high requirements to noise level low-noise modifications are available (**Centro-MZ L**).

Speed control

- Smooth speed control with an external thyristor controller or step speed control with an external auto transformer (both available upon separate order).

Mounting

- Any mounting position.
- Wall or ceiling mounting with fixing brackets supplied as a standard.
- Flexible air ducts are fixed on the fan spigots with clamps.

Modifications and options

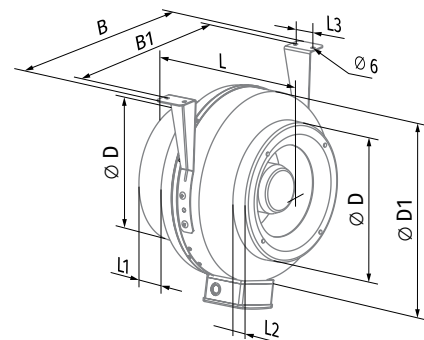
- max:** high-powered motor.
- L:** low-powered and low-noise motor.
- W1:** power cable with mains plug.

Designation key

Series	Duct diameter [mm]	Motor modifications	Options
Centro-MZ	100; 125; 150; 160; 200; 250; 315	max: high-powered motor L: low-powered motor	W1: power cable with mains plug

Overall dimensions [mm]

Type	Ø D	Ø D1	B	B1	L	L1	L2	L3	Weight [kg]
Centro-MZ 100 (L)	98	237	253	293	202	23	22	30	3.16
Centro-MZ 125 (L)	123	237	253	293	202	23	22	30	3.16
Centro-MZ 150	149	274	290	330	170	20	20	30	3.5
Centro-MZ 150 max	149	345	355	395	230	20	20	40	5.6
Centro-MZ 160	158	278	294	334	200	25	23	30	3.44
Centro-MZ 200 (L)	198	332	340	380	245	25	29	40	5.43
Centro-MZ 250 (L)	249	332	340	380	213	25	29	40	5.25
Centro-MZ 315 (L)	313	402	410	450	308	33	55	40	6.57



Accessories

Silencers	Filter boxes	Electric heaters	Water heaters	Backdraft air dampers	Air dampers	Clamps	Speed controllers
 SD	 KFBK / KFBT	 EKH	 WKH	 VRV	 VK / VKA	 KZ	 CDT E1.8

Technical data

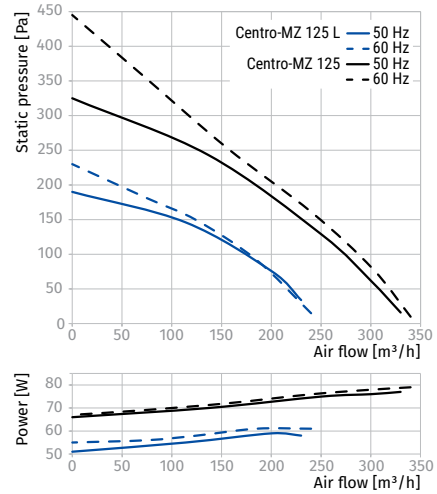
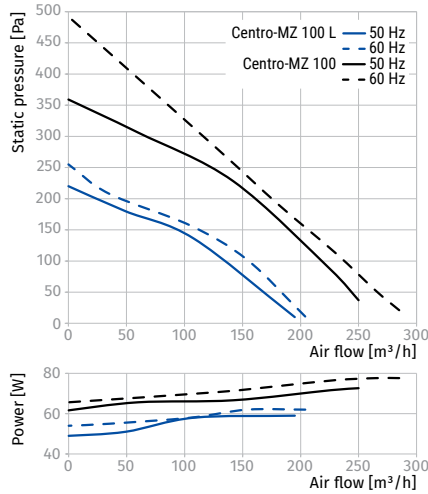
Parameters	Centro-MZ 100 L		Centro-MZ 100		Centro-MZ 125 L		Centro-MZ 125	
Voltage [V]	1 ~ 230		1 ~ 230		1 ~ 230		1 ~ 230	
Frequency [Hz]	50	60	50	60	50	60	50	60
Power [W]	60	61	72	77	60	61	78	79
Current [A]	0.37	0.37	0.32	0.33	0.37	0.37	0.34	0.34
Maximum air flow [m³/h (l/s)]	195 (54)	204 (57)	250 (69)	285 (79)	230 (64)	240 (67)	330 (92)	340 (94)
RPM [min⁻¹]	2670	2710	2820	2880	2605	2720	2820	2880
Sound pressure at 3 m [dBA]	35	36	46	47	35	36	46	46
Transported air temperature [°C]	-25...+55	-25...+50	-25...+55	-25...+50	-25...+55	-25...+50	-25...+55	-25...+50
SEC class	C		C		C		C	
IP rating	IPX4		IPX4		IPX4		IPX4	
Motor IP rating	IP44		IP44		IP44		IP44	
ErP	2018		2018		2018		2018	

CENTRO-MZ 100 L, CENTRO-MZ 100

Sound power level, A-weighted	Total	Octave frequency bands [Hz]							
		63	125	250	500	1000	2000	4000	8000
Centro-MZ 100 L									
LWA to inlet [dBA]	63	51	57	56	57	51	46	40	29
LWA to outlet [dBA]	65	54	62	58	61	57	50	45	33
LWA to environment [dBA]	55	19	14	21	34	42	41	29	17
Centro-MZ 100									
LWA to inlet [dBA]	72	47	67	68	67	60	54	53	42
LWA to outlet [dBA]	73	56	67	72	66	63	58	57	42
LWA to environment [dBA]	64	43	60	57	41	24	6	17	24

CENTRO-MZ 125 L, CENTRO-MZ 125

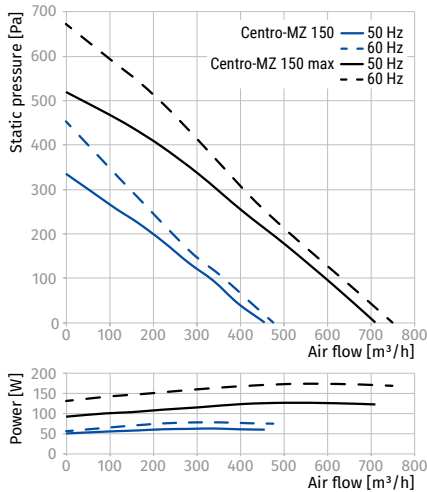
Sound power level, A-weighted	Total	Octave frequency bands [Hz]							
		63	125	250	500	1000	2000	4000	8000
Centro-MZ 125 L									
LWA to inlet [dBA]	59	31	52	54	53	49	46	35	30
LWA to outlet [dBA]	61	35	53	56	60	51	49	35	34
LWA to environment [dBA]	64	46	60	59	43	33	15	30	28
Centro-MZ 125									
LWA to inlet [dBA]	75	56	63	68	69	64	61	52	41
LWA to outlet [dBA]	75	58	71	74	72	65	65	56	47
LWA to environment [dBA]	64	52	64	59	48	36	23	30	27



Parameters	Centro-MZ 150		Centro-MZ 150 max		Centro-MZ 160		Centro-MZ 200 L		Centro-MZ 200	
Voltage [V]	1 ~ 230		1 ~ 230		1 ~ 230		1 ~ 230		1 ~ 230	
Frequency [Hz]	50	60	50	60	50	60	50	60	50	60
Power [W]	64	78	127	174	78	81	139	177	157	202
Current [A]	0.29	0.34	0.56	0.77	0.34	0.35	0.61	0.78	0.69	0.88
Maximum air flow [m³/h (l/s)]	455 (125)	475 (132)	710 (197)	750 (208)	455 (126)	460 (128)	840 (233)	940 (261)	1000 (278)	1045 (290)
RPM [min ⁻¹]	2780	3216	2760	3144	2760	2820	2790	2850	2740	2840
Sound pressure at 3 m [dBA]	44	45	48	49	46	46	48	49	50	50
Transported air temperature [°C]	-25...+50		-25...+60		-25...+55		-25...+50		-25...+45	
SEC class	B		B		B		B		B	
IP rating	IPX4		IPX4		IPX4		IPX4		IPX4	
Motor IP rating	IP44		IP44		IP44		IP44		IP44	
ErP	2018		2018		2018		2018		2018	

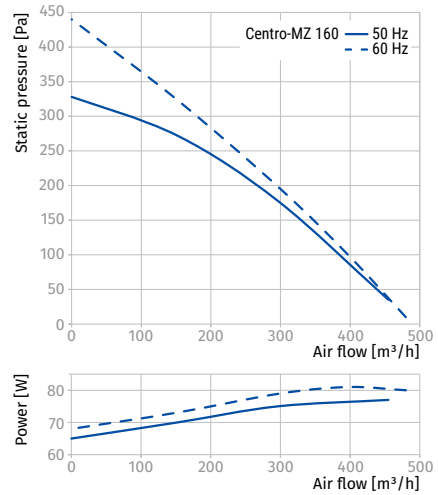
CENTRO-MZ 150, CENTRO-MZ 150 MAX

Sound power level, A-weighted	Total	Octave frequency bands [Hz]							
		63	125	250	500	1000	2000	4000	8000
Centro-MZ 150									
LWA to inlet [dBA]	90	53	87	86	75	74	71	68	54
LWA to outlet [dBA]	90	53	88	85	72	71	66	65	52
LWA to environment [dBA]	66	28	49	58	60	60	60	50	37
Centro-MZ 150 max									
LWA to inlet [dBA]	94	56	91	90	79	78	75	71	57
LWA to outlet [dBA]	94	56	92	89	76	75	69	68	55
LWA to environment [dBA]	68	29	51	61	63	63	63	52	39



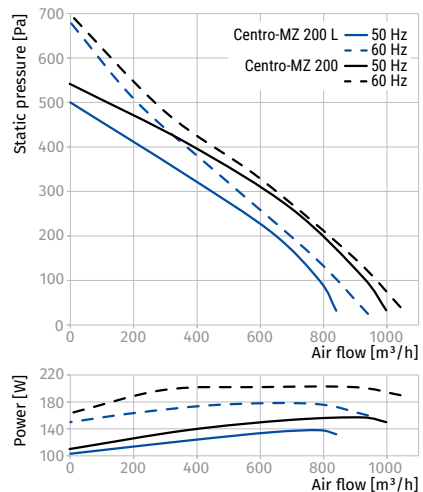
CENTRO-MZ 160

Sound power level, A-weighted	Total	Octave frequency bands [Hz]							
		63	125	250	500	1000	2000	4000	8000
LWA to inlet [dBA]	69	42	67	66	63	61	58	48	35
LWA to outlet [dBA]	72	46	69	65	68	64	63	50	40
LWA to environment [dBA]	60	41	60	53	36	20	18	30	24



CENTRO-MZ 200 L, CENTRO-MZ 200

Sound power level, A-weighted	Total	Octave frequency bands [Hz]							
		63	125	250	500	1000	2000	4000	8000
Centro-MZ 200 L									
LWA to inlet [dBA]	76	47	68	65	70	67	59	58	50
LWA to outlet [dBA]	76	49	71	69	72	63	63	60	53
LWA to environment [dBA]	64	46	61	57	48	32	27	48	42
Centro-MZ 200									
LWA to inlet [dBA]	73	51	66	68	71	67	64	58	52
LWA to outlet [dBA]	79	51	73	69	74	67	65	60	50
LWA to environment [dBA]	68	47	64	64	46	32	30	44	42



Parameters	Centro-MZ 250 L		Centro-MZ 250		Centro-MZ 315 L		Centro-MZ 315	
Voltage [V]	1 ~ 230		1 ~ 230		1 ~ 230		1 ~ 230	
Frequency [Hz]	50	60	50	60	50	60	50	60
Power [W]	134	175	152	202	151	205	185	238
Current [A]	0.59	0.77	0.66	0.88	0.66	0.89	0.81	1.04
Maximum air flow [m³/h (l/s)]	980 (272)	1030 (286)	1070 (297)	1100 (306)	1330 (369)	1370 (381)	1540 (428)	1580 (439)
RPM [min⁻¹]	2785	2880	2765	2560	2680	2750	2730	2870
Sound pressure at 3 m [dBA]	51	51	52	52	52	52	53	54
Transported air temperature [°C]	-25...+50	-25...+50	-25...+50	-25...+50	-25...+50	-25...+50	-25...+45	-25...+45
SEC class	B		B		-		-	
IP rating	IPX4		IPX4		IPX4		IPX4	
Motor IP rating	IP44		IP44		IP44		IP44	
ErP	2018		2018		2018		2018	

CENTRO-MZ 250 L, CENTRO-MZ 250

Sound power level, A-weighted	Total	Octave frequency bands [Hz]							
		63	125	250	500	1000	2000	4000	8000
Centro-MZ 250 L									
LWA to inlet [dBA]	69	46	59	61	65	62	58	60	54
LWA to outlet [dBA]	74	49	59	63	66	67	62	64	56
LWA to environment [dBA]	60	42	54	54	44	37	37	52	45
Centro-MZ 250									
LWA to inlet [dBA]	75	60	66	67	67	67	63	56	45
LWA to outlet [dBA]	76	60	73	71	69	65	66	59	46
LWA to environment [dBA]	65	58	62	60	47	43	40	47	36

CENTRO-MZ 315 L, CENTRO-MZ 315

Sound power level, A-weighted	Total	Octave frequency bands [Hz]							
		63	125	250	500	1000	2000	4000	8000
Centro-MZ 315 L									
LWA to inlet [dBA]	70	35	53	61	65	67	61	58	56
LWA to outlet [dBA]	74	41	54	64	73	70	65	62	60
LWA to environment [dBA]	59	35	49	53	50	46	51	50	50
Centro-MZ 315									
LWA to inlet [dBA]	77	53	66	71	69	68	66	63	60
LWA to outlet [dBA]	78	58	71	74	72	71	71	63	63
LWA to environment [dBA]	70	55	66	61	57	48	54	56	51

