

CP-2

Drain pump

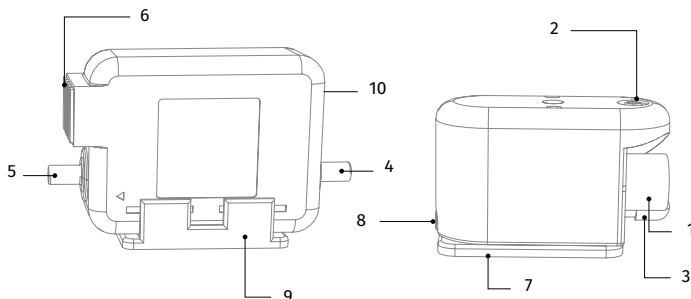
Features

- The drain pump provides extraction and discharge of condensate that may form in the heat exchanger during heat recovery.



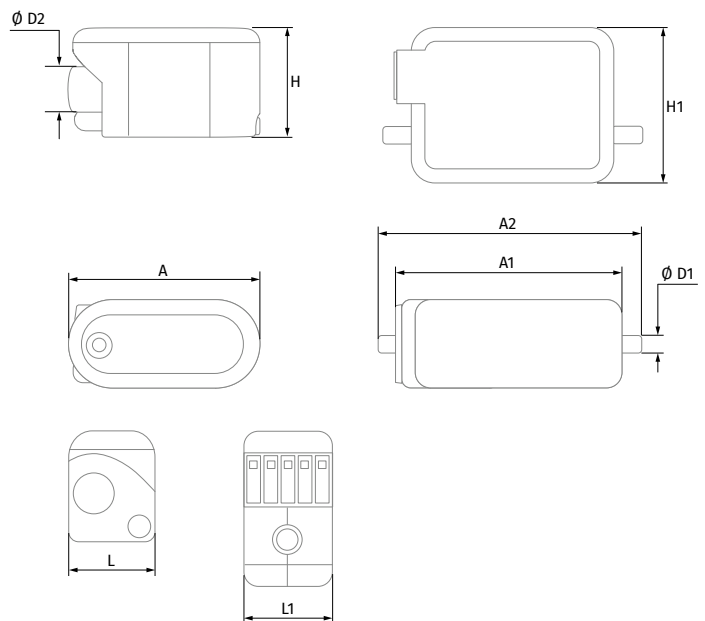
Design

- 1 – condensate water inlet
- 2 – air intake fitting for \varnothing 4x6 hose
- 3 – condensate outlet fitting for \varnothing 4x6 hose
- 4, 8 – fitting for \varnothing 4x6 connecting hose
- 5 – fitting for a drain pipe for \varnothing 4x6 hose
- 6 – removable terminal block
- 7 – mounting plate
- 9 – pump lock
- 10 – removable electric cable socket



Overall dimensions [mm]

Model	\varnothing D2	\varnothing D1	A	A1	A2	H	H1	L	L1
CP-2	18	5	68	68	82	55	38	32	30



Mounting

- For CP-2 pump both horizontal and vertical installation is possible. The pump drain pan must be installed in the horizontal position only, in compliance with the user's manual.

Technical data

Model	CP-2
Water flow [l/h]	7
Water suction head [m]	2
Vertical pressure head [m]	7
Voltage [V/Hz]	230/50
Noise level [dBA]	21
Power [W]	19
C – NO signal contact parameters [A]	8