

DAH 251-13

Kitchen exhaust hood

Features

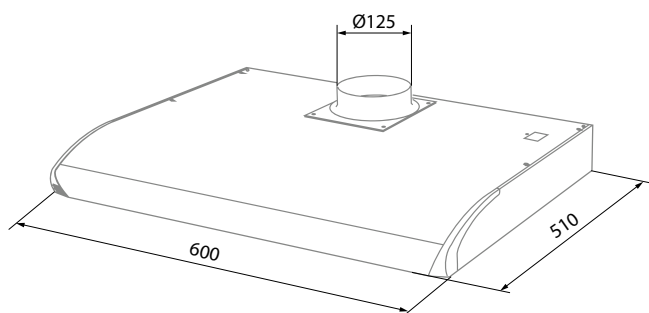
- The kitchen exhaust hood is designed to clean air from combustion products, fumes, fumes and cooking smells.
- As the kitchen hood turns on, the air damper opens and the high speed activation signal is sent to the air handling unit.
- The kitchen exhaust hood is equipped with a light and a polyester filter.
- The kitchen exhaust hood is supplied with a cable and a mains plug.



Mounting

- The installation steps are described in the operation manual.
- The mounting accessories and screws are included with the unit.

Overall dimensions [mm]



Technical data

Parameters	DAH 251-13
Voltage [V/50 (60) Hz]	230
Power consumption [W]	11

Mounting example

DAH 251-13 kitchen hood is suitable for direct connection to KOMFORT Roto E S(E) 200 S17/S18 unit.

