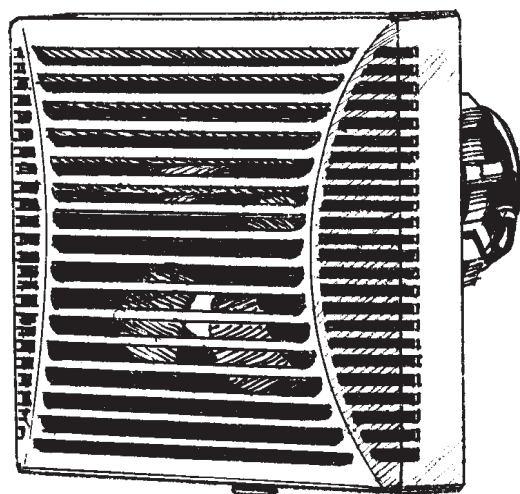


*Eco*

---

*Operation manual*

*Brise*



EN



**BLAUBERG**  
*Ventilatoren*



## **PREAMBLE**

This certificate of fans "ECO" and "BRISE" contains the description, operation and installation data, rules and warnings important for correct and safe operation of the fan.

## **PURPOSE**

Household fans "ECO" and "BRISE" (hereinafter "the fans") are intended for ventilation of the household and public premises heated in winter time.

The fans are air-exhausters and are intended for wall or ceiling installation (see fig. 6, 7 and 8).

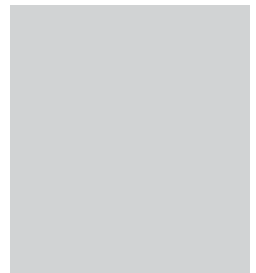
Fans are designed for a continuous work without power network disconnection.

The design of fans is constantly improved; therefore some models can differ from described in the present certificate.

## **DELIVERY SET**

The delivery set contains:

- Fan - 1 pcs;
- Operation manual;
- Screws with dowels - 4 pcs;
- Packing box.



## **BASIC CHARACTERISTICS**

The design of fans is presented on fig. 1, 2.

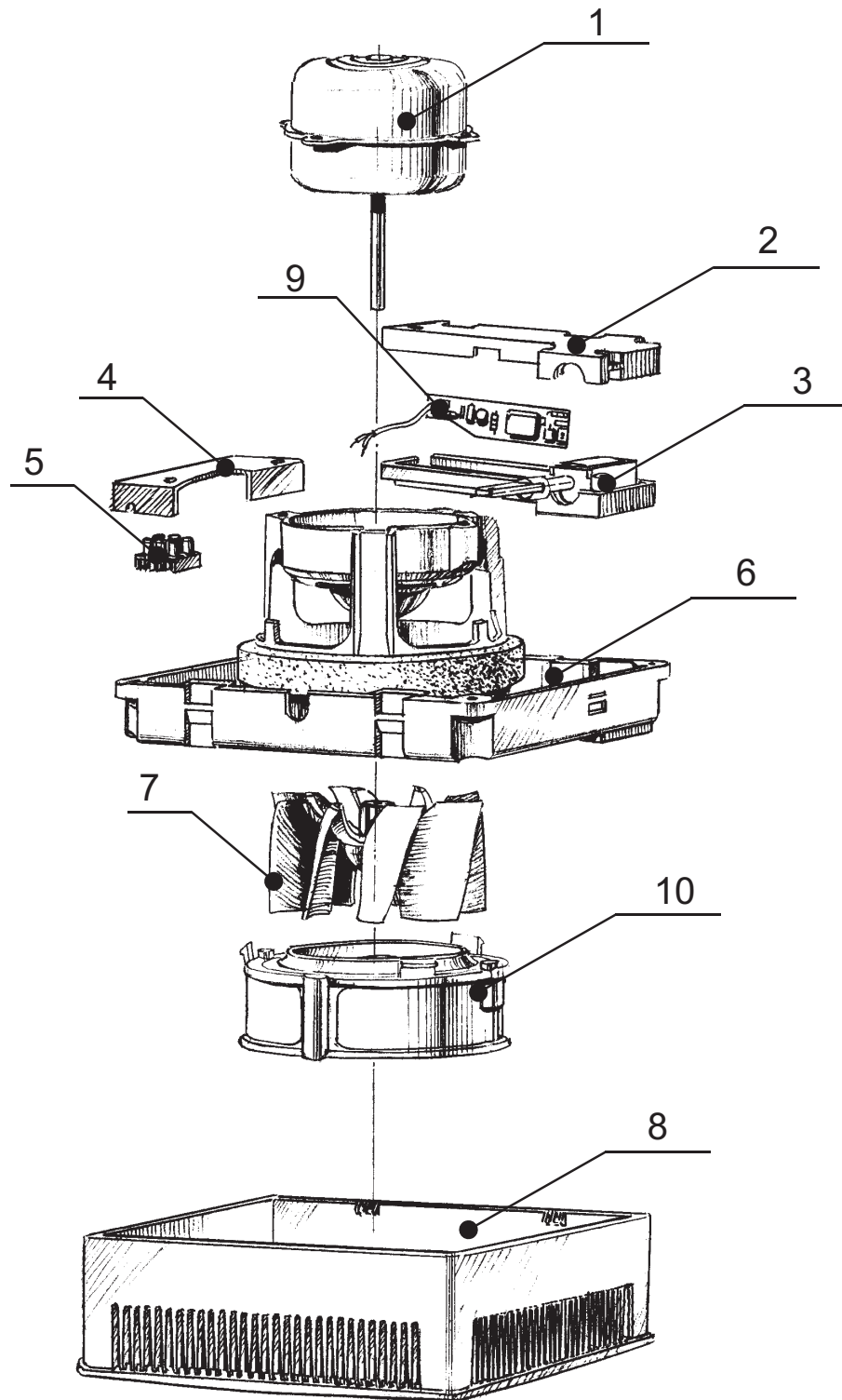
The designation of fans, their parameters, appearance, the overall and connecting sizes are given in table 1 and on fig. 3, 4.

The fans are intended for connection to ac network with voltage of 220... 240 V and frequency of 50 Hz.

The fans are intended for use in premises with air temperature within the range from 0°C to +45°C.

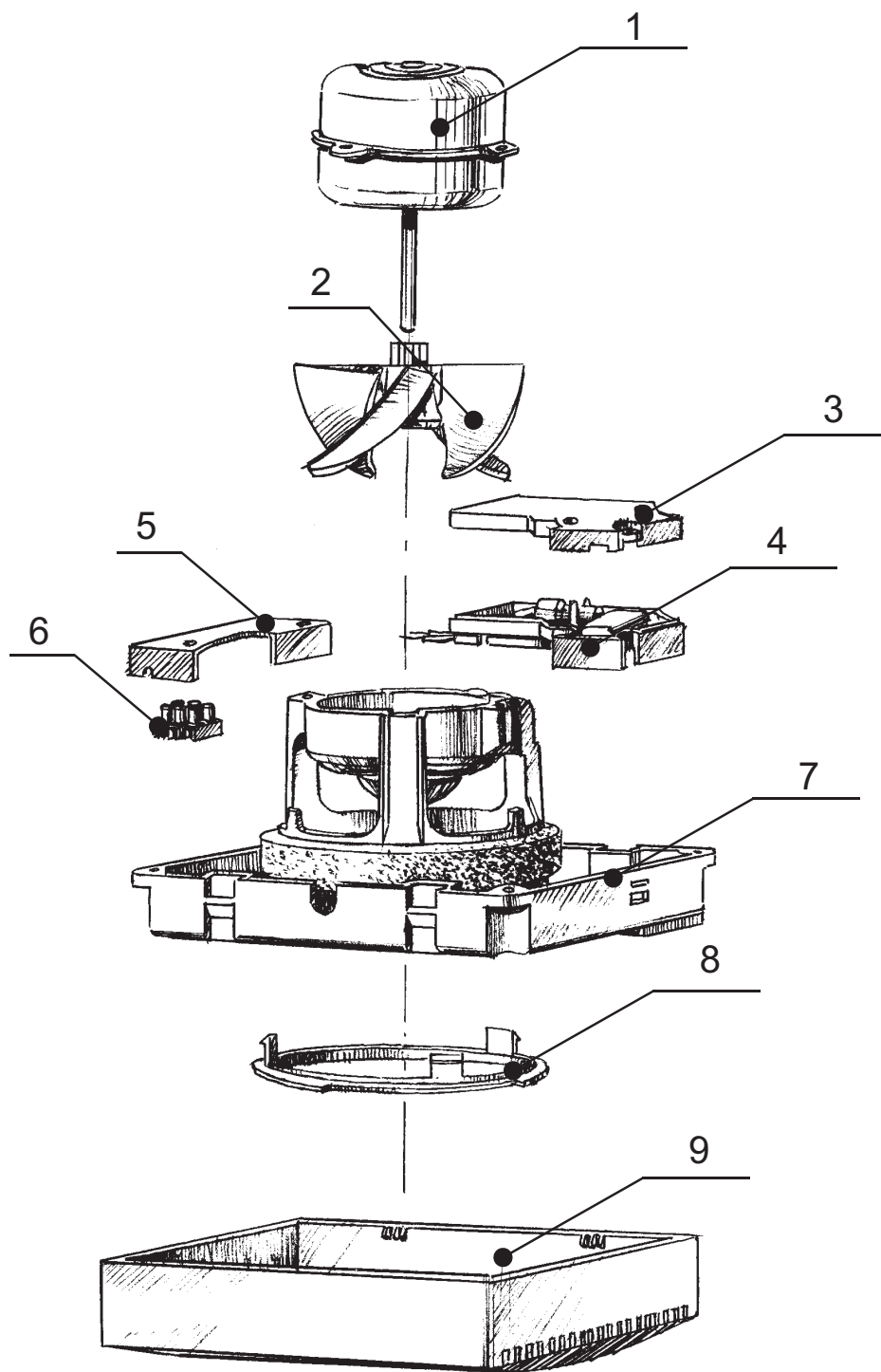
The fan "ECO" has the automatic diaphragm preventing a return air flow.

The fans do not create noise for radio, TV and video equipments. Service life is not less than 10 years.



**Fig. 1**

1 - electric motor, 2 - control box cover, 3 - control box,  
 4 - switching box, 5 - connector block, 6 - fan case,  
 7 - impeller, 8 - fan cover, 9 - control card,  
 10 - automatic diaphragm.

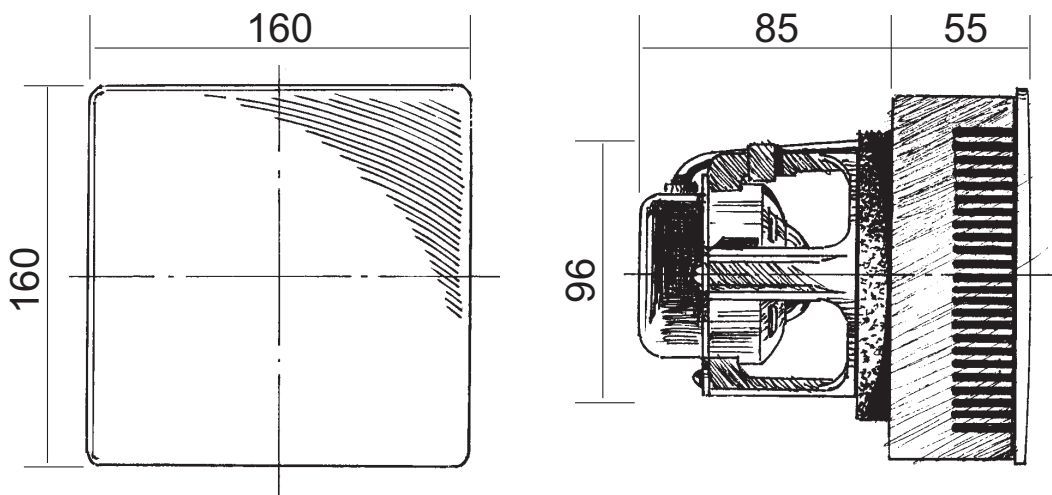


**Fig. 2**

1 - electric motor, 2 - impeller, 3 - control box cover,  
 4 - control box; 5 - switching box, 6 - connector block,  
 7 - fan case, 8 - ring, 9 - fan cover

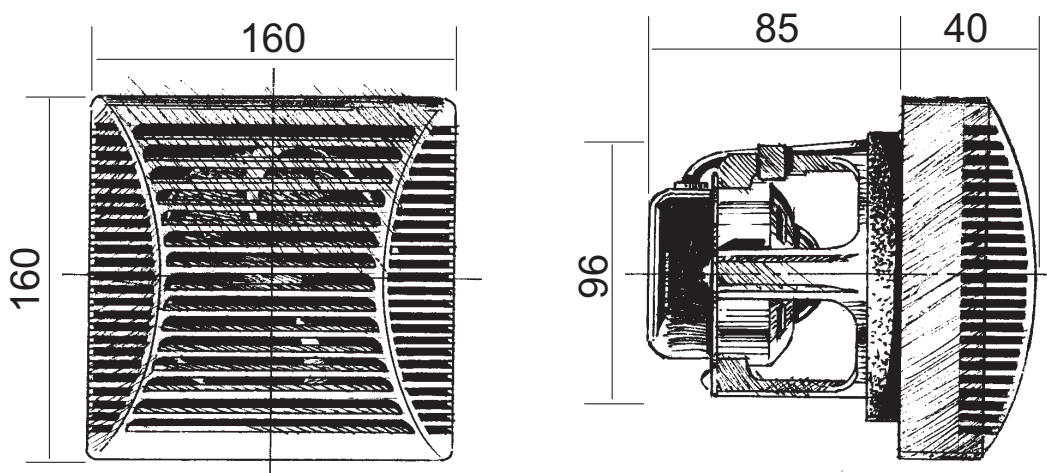
**Table 1**

Type	Max, air inflow, m <sup>3</sup> /hour	Rated power, W	Noise level, dBA	Weight, kg
<i>Eco 100</i>	70	6	23	0,7
<i>Brise 100</i>	53	2,7	21	0,7
<i>Brise 100 max</i>	62	3,5	22	0,7



Overall and connecting sizes of fan "ECO"

**Fig. 3**



Overall and connecting sizes of fan "Brise"

**Fig. 4**

## **SAFETY REQUIREMENTS**

The fans belong to devices of the Class A insulation by type of protection against electric-shock hazard.

Level of protection against access to hazardous parts and water ingress protection is IP24.

Before connection of the fan to network, you should be convinced of absence of visible damages of the impeller, case, cover, and that there are no foreign objects left in flowing part of the case which can damage impeller.

The fan connection should be carried out by the expert electrician who has the admission to the works and has studied this manual.

The fan service and repair should be made only after its disconnection from the network system.

### **FORBIDDEN**

Operation of fans outside of the temperature range, as well as in premises with aggressive impurities in air and in explosive environment.

**You should take measures for prevention against ingress of blackdamp in a room through open flues or other fire-prevention installations.**

**A possibility of return gas flow from the devices using gas or open flame should be excluded.**

## **INSTALLATION AND PREPARATION FOR WORK**

### **ATTENTION**

All works on installation and connection of the fans should be carried out only by the removed network system voltage.

Connection of the fans to network system should be carried out through the switch embedded in the fixed wiring, with contact gaps at least 3 mm on all poles.

The direction of air injection should coincide with the arrow direction on the fan case.

The scheme of the fan connection is shown on fig. 5.

Installation variants are shown on fig. 6, 7 and 8.

# POWER NETWORK CONNECTION DIAGRAM

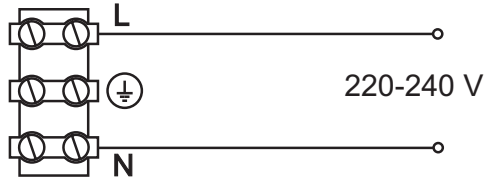


Fig. 5

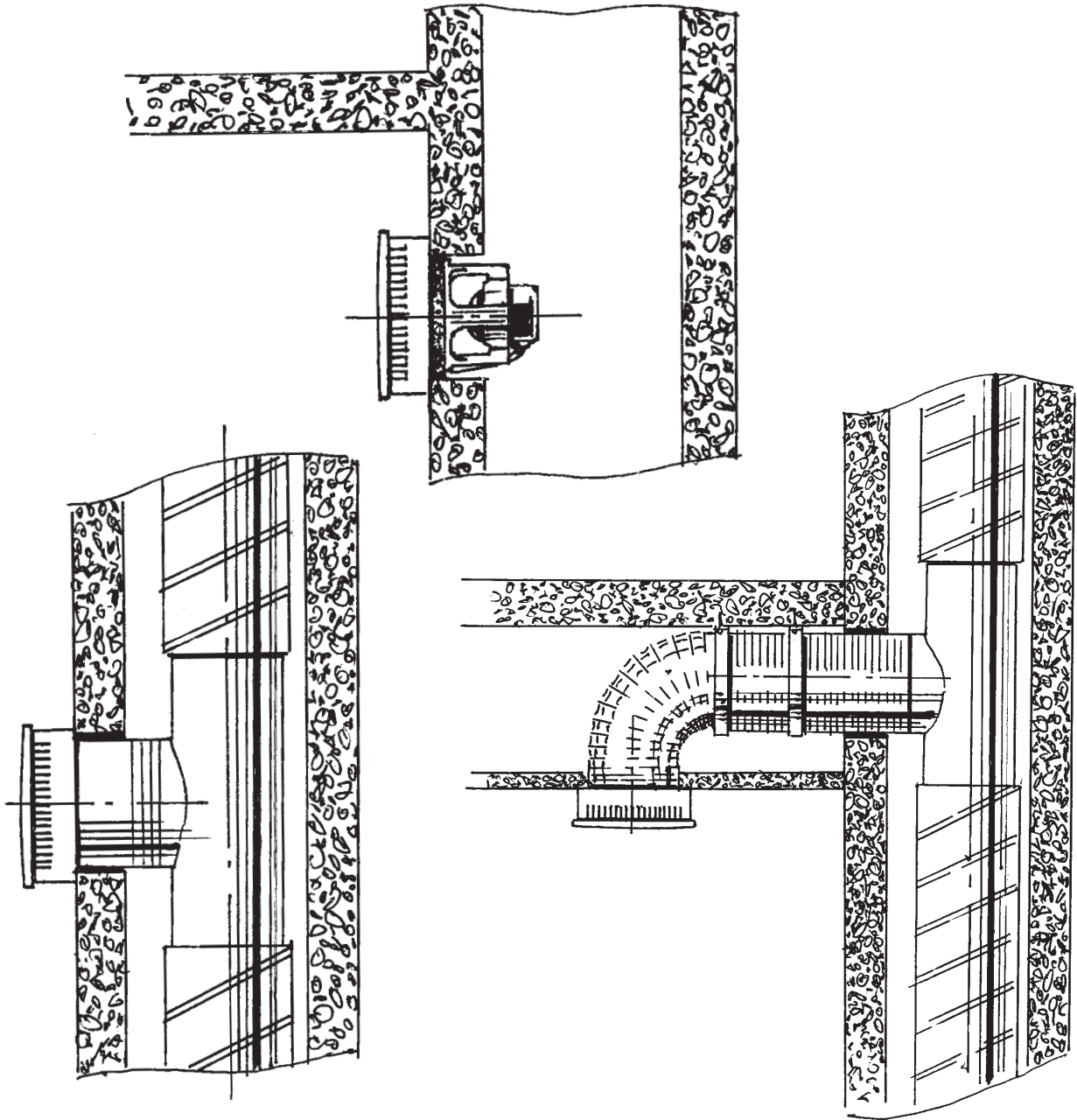


Fig. 6



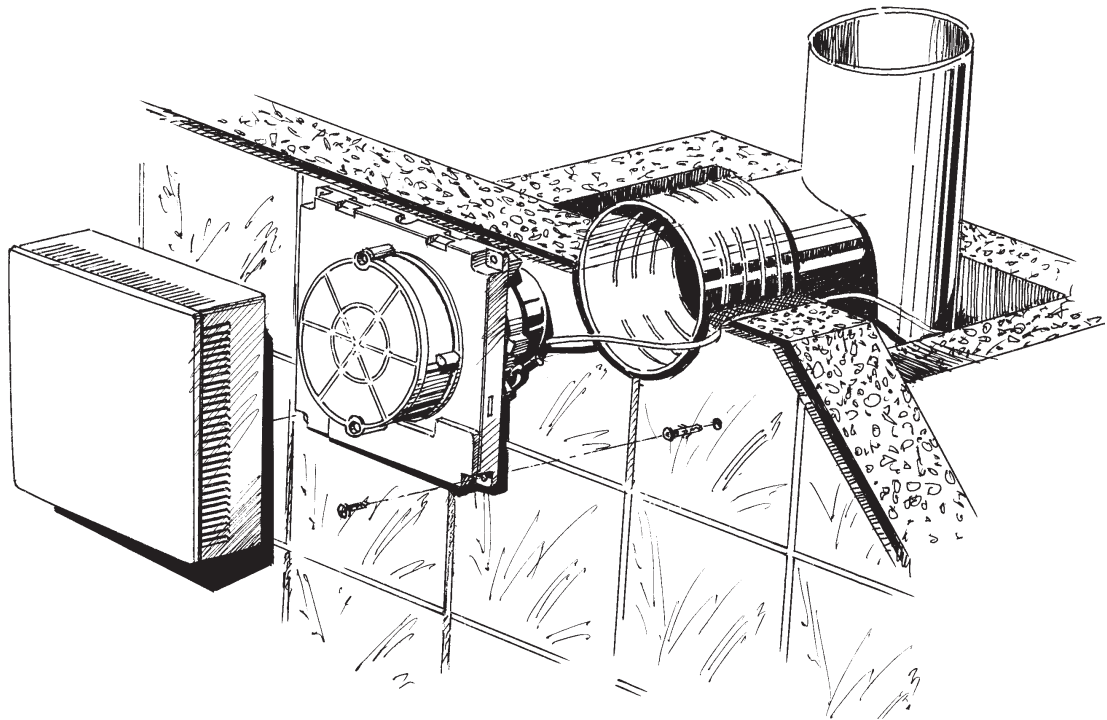


Fig. 7

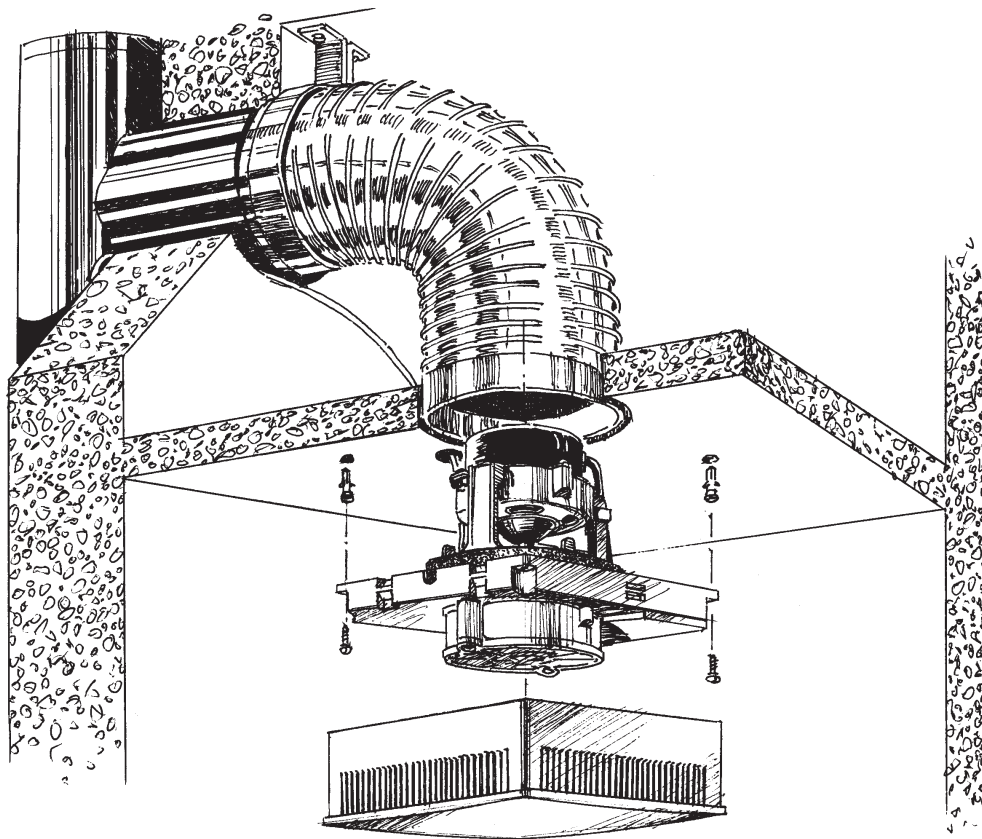


Fig. 8

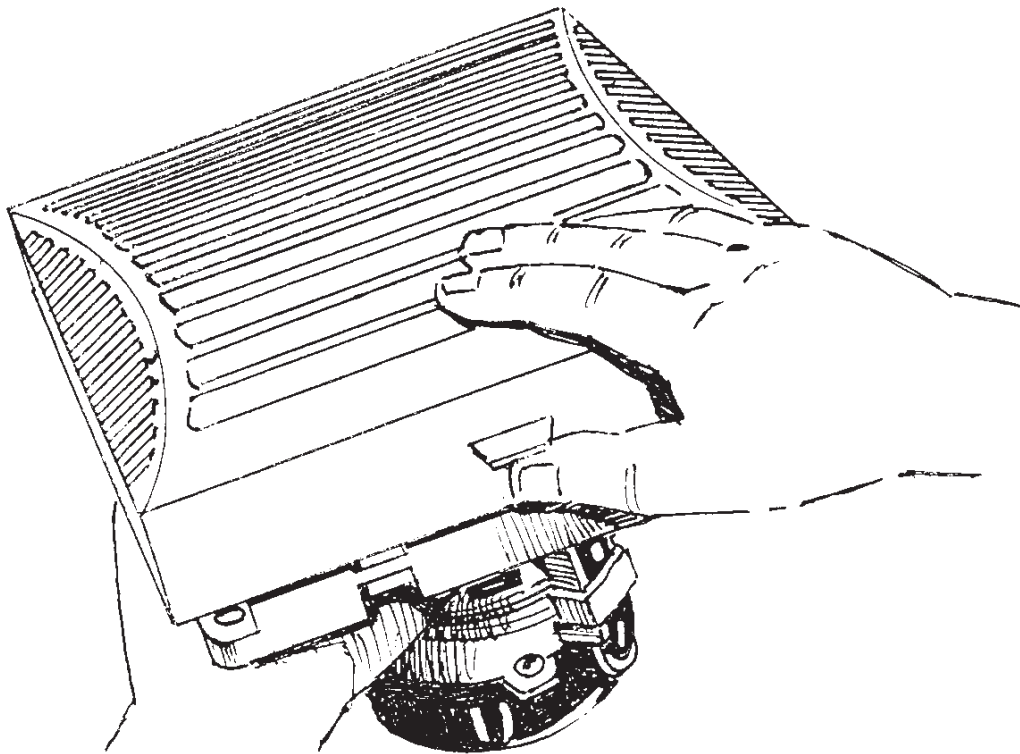
## **FAN INSTALLATION**

To install the fan, you should:

1. Remove the cover from the fan (fig. 9)
2. Put the fan to a wall and mark the fixing apertures (fig. 10).
3. Drill the apertures in a wall and insert the dowels (fig. 11).
4. Connect the network cable to the connector block (fig. 12).

The network cable length should be not less than 220 mm.

5. Fix the cable with a clamping strap (fig. 13).
6. Fix the fan on a wall with screws (fig. 14).
7. Put the cover on the fan (fig. 15).



**Fig. 9**

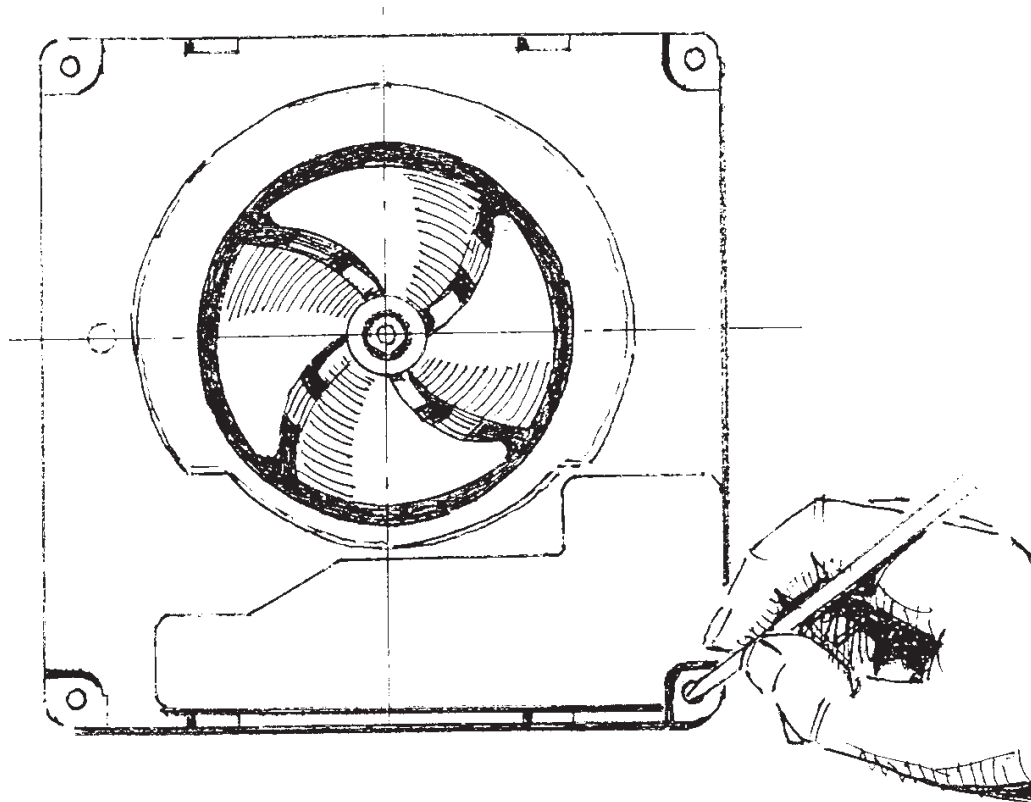


Fig. 10

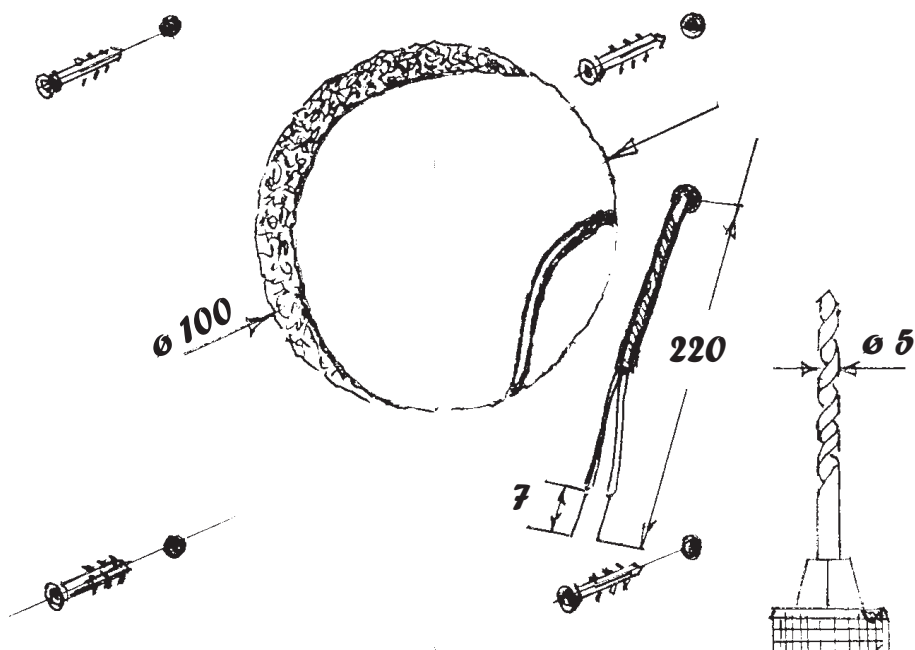
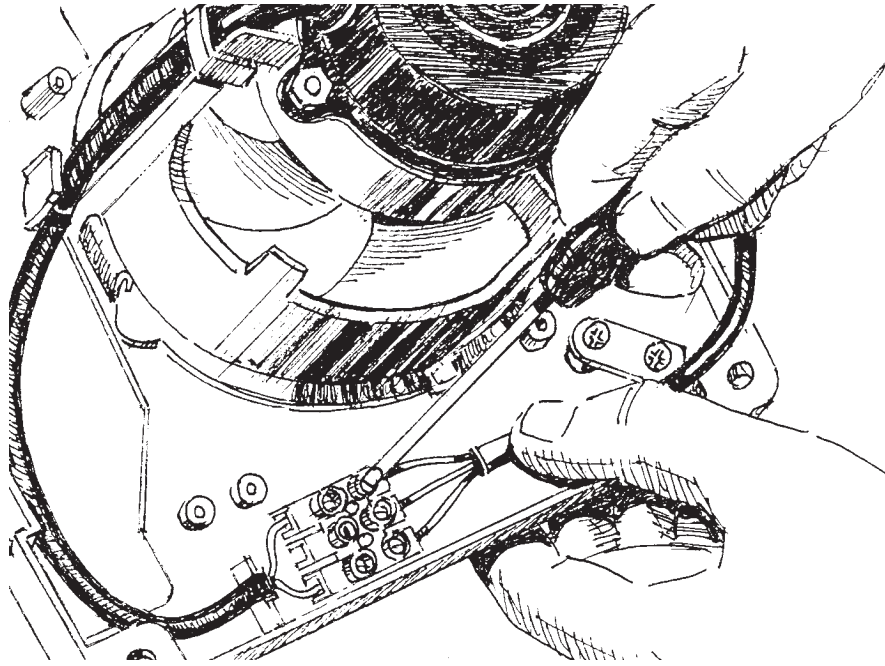
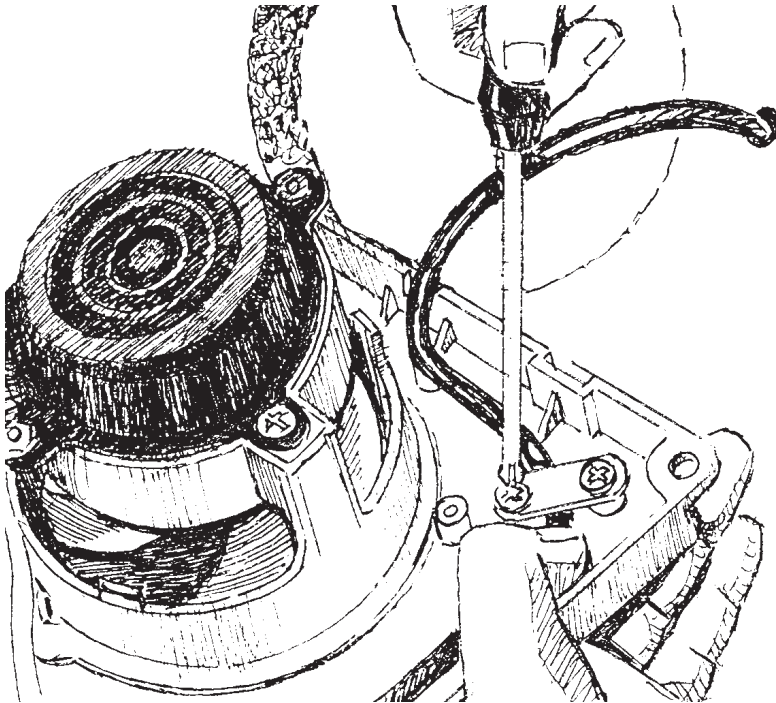


Fig. 11



**Fig. 12**



**Fig. 13**

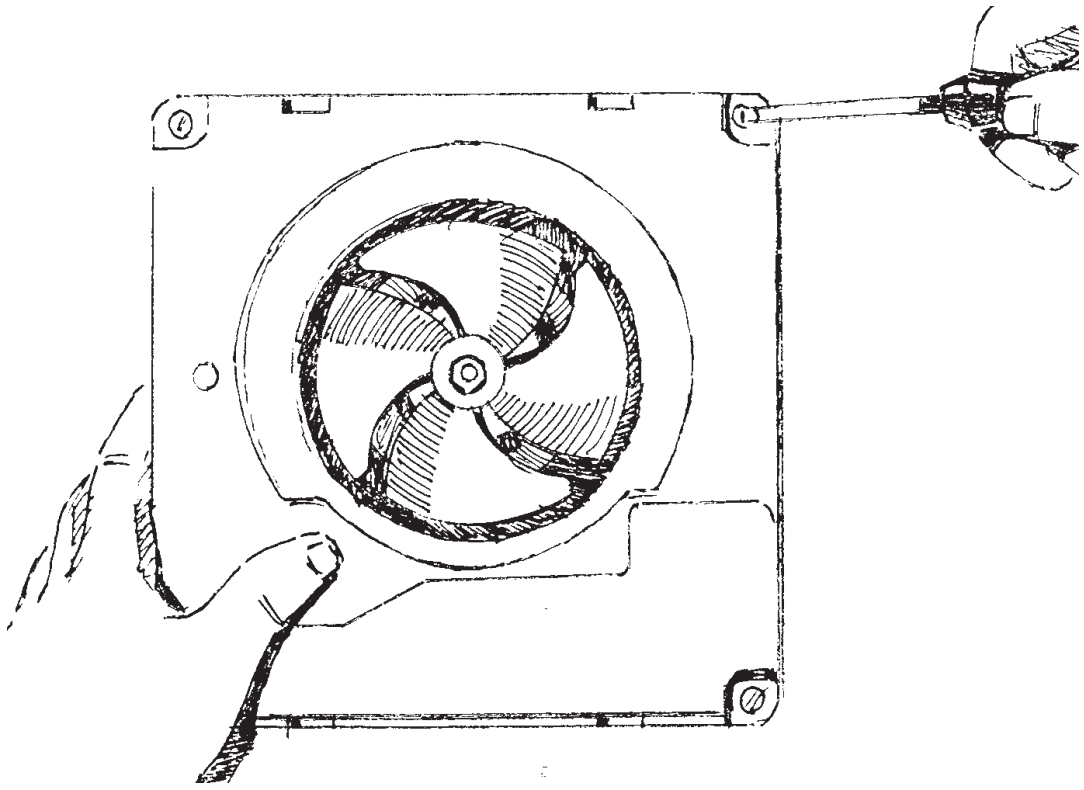


Fig. 14

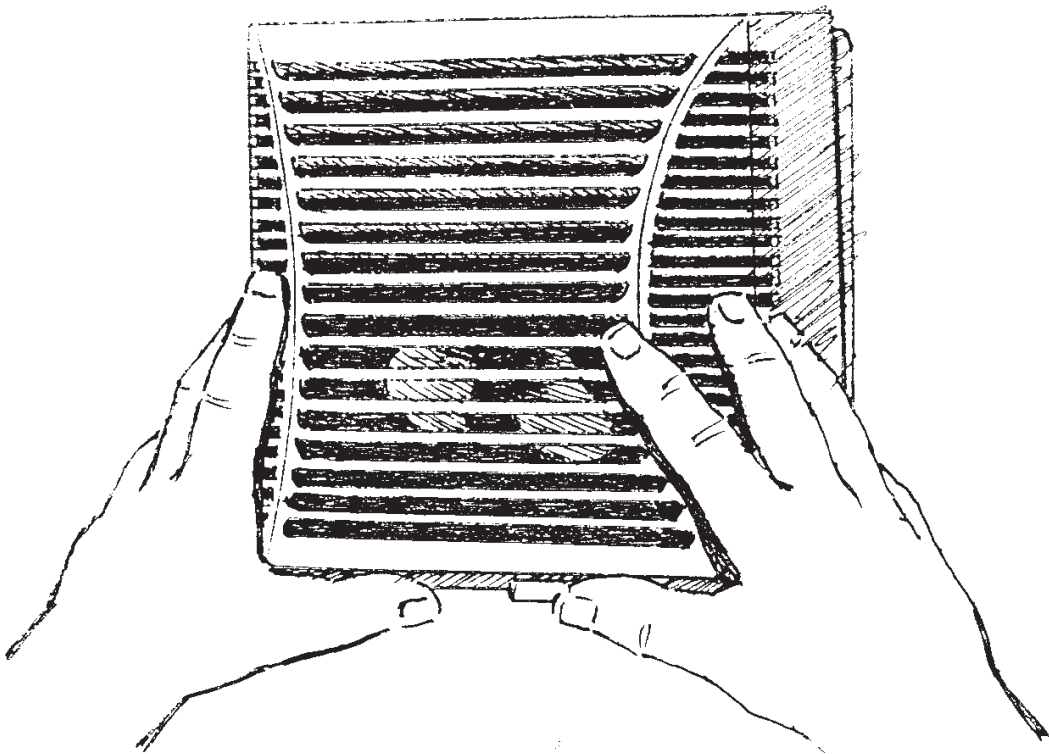


Fig. 15

## **STORAGE RULES**

Store the fans in the manufacturer packaging in an aired room at temperature from +5°C to +40°C and relative air humidity no more than 80 % (at t=25°C).

Presence of steams, acids, alkalis and other aggressive impurities in air is not allowed.

## **MAINTENANCE**

The fan maintenance should be carried out only after its disconnection from the network.

The maintenance refers to periodic clearing of the fan surfaces of dust and dirt.

Carry out the cleaning with a soft cloth moistened in a soap solution, then wipe the surfaces dry.

The impeller blades demand a careful clearing every 6 months.

For this purpose, you should remove the impeller from the motor shaft  
Wash up the blades with solution water and cleaning agent.

Avoid ingress of liquids on the electromotor.

## **MANUFACTURER'S GUARANTEES**

We hereby declare that the following complies with the essential protection requirements of Electromagnetic Council Directive 2004/108/EC, 89/336/EEC and Low Voltage Directive 2006/95/EC, 73/23/EEC and CE-marking Directive 93/68/EEC on the approximation of the laws of the Member States relating to electromagnetic compatibility. This certificate is issued following test carried out on samples of the product referred to above. Assessment of compliance of the product with the requirements relating to electromagnetic. Compatibility was based on the following standards. The manufacturer guarantees normal work of the fan for ten years from the date of sale through a retail trading network under a condition of observance of rules of transportation, storage, installation and operation.

In case of dysfunctions in fan work through manufacturer's fault during a warranty period the consumer has the right to fan replacement. In the absence of a mark about sale date, the warranty period is estimated from the moment of manufacturing.

The replacement is offered by the Seller.

### **ATTENTION:**

The MANUFACTURER bears no responsibility for the damages in result of the unintended use of the fan or because of rough mechanical intervention. The owner of the fan should follow this User Manual.

## **WARRANTY CERTIFICATE**

---

---

---

---

---

---

---

---





*Eco 100*

*Brise 100*

*Brise 100 max*

*The model (underline the necessary)  
is serviceable*

SALE DATE

MANUFACTURING DATE

SELLER

STAMP OF INSPECTOR