



Flexible anti-vibration connectors

EVA

for round ducts

Use

- For damping vibration generated by fans or ventilation equipment and transferred to air ducts.
- For partial compensation of ductwork distortion resulting from temperature changes.
- Compatible with \varnothing 100 up to 500 mm round air ducts.

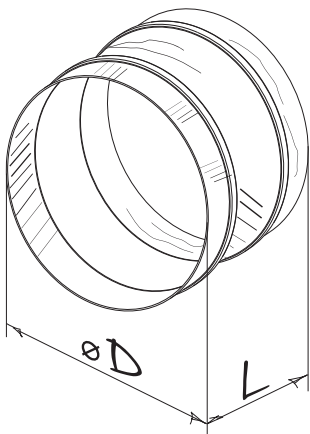
Design

- Two galvanized steel flanges.
- Connecting vibration-isolating material is made of nylon reinforced polyethylene fabric.
- Not designed for mechanical load and cannot be used as a load-carrying structure.

Mounting

- Flexible vibration damping connectors are fixed to air ducts with clamps.

Overall dimensions



Type	Dimensions [mm]		Weight [kg]
	$\varnothing D$	L	
EVA 100	101	130	0.14
EVA 125	126	130	0.17
EVA 150	151	130	0.21
EVA 160	161	130	0.22
EVA 200	201	130	0.28
EVA 250	251	130	0.35
EVA 315	316	130	0.44
EVA 355	356	130	0.50
EVA 400	401	130	0.56
EVA 450	451	130	0.64
EVA 500	501	130	0.71