



Flexible anti-vibration connectors

EVA

for rectangular ducts

Use

- For damping of vibration generated by fans or ventilation equipment and transferred to air ducts for ventilation systems installed in various premises.
- For partial temperature distortion compensation in the ductworks.
- Compatible with rectangular 400x200 up to 1000x500 mm air ducts.

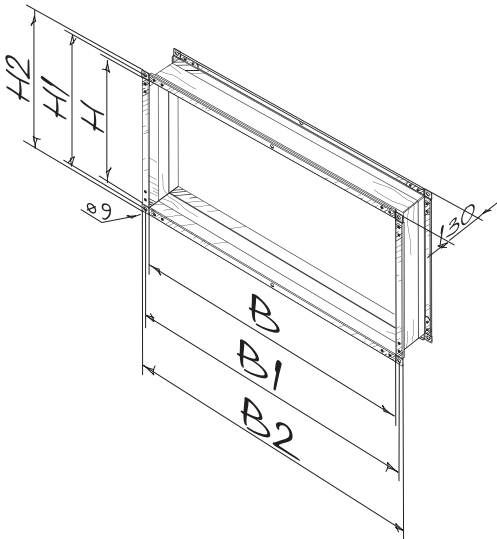
Design

- Two galvanized steel flanges.
- Connecting vibration-isolating material is made of nylon reinforced polyethylene fabric.
- Not designed for mechanical load and cannot be used as a load-carrying structure.

Mounting

- Mounting with galvanized bolts and clamps that fix the end flanges of the connector to the mating flanges of the air ducts or any other ventilation system components.

Overall dimensions



| Type | Dimensions [mm] | | | | | | Weight [kg] |
|------------|-----------------|------|------|-----|-----|-----|-------------|
| | B | B1 | B2 | H | H1 | H2 | |
| EVA 40x20 | 400 | 420 | 440 | 200 | 220 | 240 | 1.1 |
| EVA 50x25 | 500 | 520 | 540 | 250 | 270 | 290 | 1.4 |
| EVA 50x30 | 500 | 520 | 540 | 300 | 320 | 340 | 1.6 |
| EVA 60x30 | 600 | 620 | 640 | 300 | 320 | 340 | 1.82 |
| EVA 60x35 | 600 | 620 | 640 | 350 | 370 | 390 | 1.95 |
| EVA 70x40 | 700 | 720 | 740 | 400 | 420 | 440 | 2.4 |
| EVA 80x50 | 800 | 820 | 840 | 500 | 520 | 540 | 2.8 |
| EVA 90x50 | 900 | 920 | 940 | 500 | 520 | 540 | 3.0 |
| EVA 100x50 | 1000 | 1020 | 1040 | 500 | 520 | 540 | 3.2 |