

# FS2

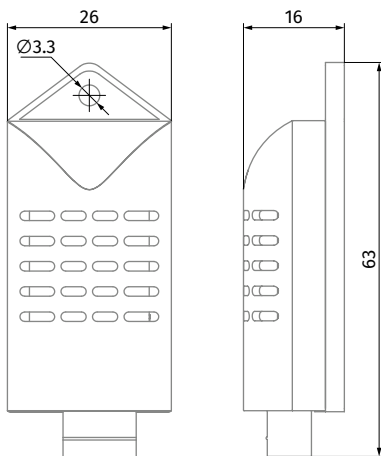
## Humidity sensor



### Features

- The **FS2** humidity sensor is designed to control humidity in ventilation, air conditioning and heating systems.

### Overall dimensions [mm]

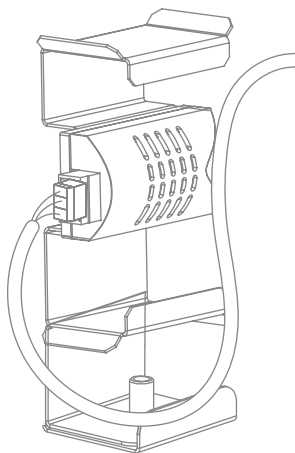


### Compatibility

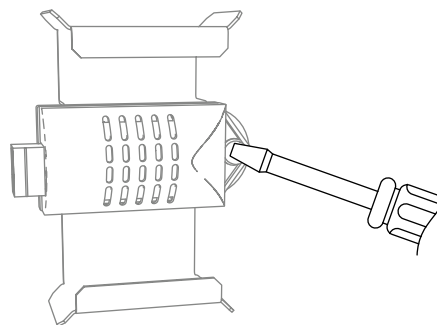
- The HV2 humidity sensor is compatible with air handling units with an S14 or S21 automation system.

### Mounting

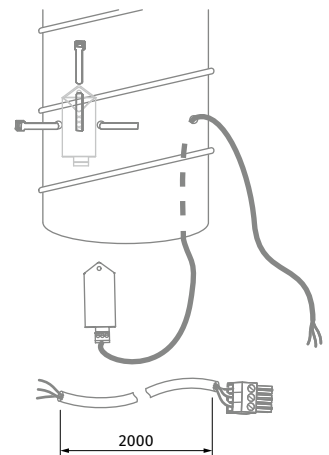
- Possible mounting options are shown below::



On the bracket in the exhaust air duct of the unit



In the exhaust air duct of the unit on a threaded rivet or plastic support



In the exhaust air duct upstream of the heat exchanger (only for KOMFORT EC S(B) 160(-E))

Find more details on the installation of the FS2 humidity sensor in the installation instructions.