

KFBK

Filter boxes for round ducts

Use

- For purification of supply or extract air in ventilation and air conditioning systems installed in various premises.
- Designed for protection of air ducts, heat exchangers, fans, controls and other ventilation system equipment against dust pollution.
- Prevent contamination of walls and ceilings located near the system.
- Can be used as pre-filters installed upstream to more efficient filters.
- Compatible with Ø 100 up to 315 mm round air ducts.



Design

- Galvanized steel case.
- Airtight connection of the filter-box with air ducts due to connecting flanges with a rubber seal.
- Equipped with a flat filter cartridge made of synthetic non-woven cloth with filtration class **G4**.
- Filter cartridge is fixed on a steel wire frame.
- Quick access to replaceable filter cartridge due to lever locks on the casing.

Mounting

- Fixing to round ducts with clamps.
- Any mounting position.
- While mounting provide extra space for free access to the filter for servicing.

Accessories

- **G4** replaceable flat filter cartridges made of synthetic non-woven cloth series **FP KFBK**.

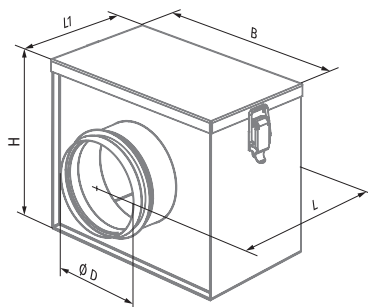


Designation key

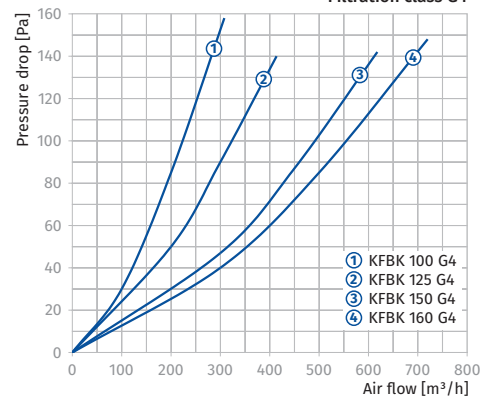
Series	Connected air duct diameter [mm]	Filters
KFBK	100; 125; 150; 160; 200; 250; 315	G4

Overall dimensions [mm]

Model	Ø D	B	H	L	L1	Weight [kg]
KFBK 100 G4	99	210	175	215	123	1.4
KFBK 125 G4	124	220	209	235	143	1.7
KFBK 150 G4	149	270	237	250	158	2.5
KFBK 160 G4	159	270	237	250	158	2.3
KFBK 200 G4	199	320	279	275	183	3.1
KFBK 250 G4	249	370	327	325	233	4.5
KFBK 315 G4	314	430	392	425	333	6.7



Filtration class G4



Filtration class G4

