



Filter boxes

KFBK

for round ducts

Use

- For purification of supply or exhaust air in ventilation and air conditioning systems installed in various premises.
- Designed for protection of air ducts, heat exchangers, fans, controls and other ventilation system equipment against dust pollution.
- Prevent contamination of walls and ceilings located near the system.
- Can be used as pre-filters installed upstream to more efficient filters.
- Compatible with \varnothing 100 up to 315 mm round air ducts.

Design

- Galvanized steel case.
- Airtight connection of the filter-box with air ducts due to connecting flanges with a rubber seal.
- Equipped with a flat filter cartridge made of synthetic non-woven cloth with filtration class G4.
- Filter cartridge is fixed on a steel wire frame.
- Quick access to replaceable filter cartridge due to lever locks on the casing.

Mounting

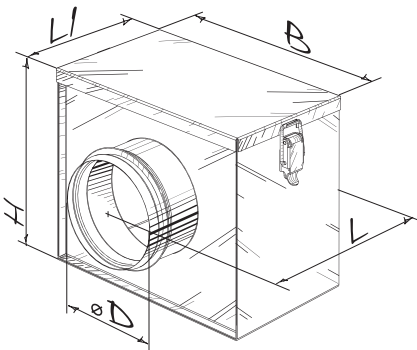
- Fixing to round ducts with clamps.
- Any mounting position.
- While mounting provide extra space for free access to the filter for servicing.

Accessories

- G4 replaceable flat filter cartridges made of synthetic non-woven cloth series **FP-KFBK**.



Overall dimensions



Type	Dimensions [mm]					Weight [kg]
	$\varnothing D$	B	H	L	L1	
KFBK 100	99	210	175	215	123	1.4
KFBK 125	124	220	209	235	143	1.7
KFBK 150	149	270	237	250	158	2.5
KFBK 160	159	270	237	250	158	2.3
KFBK 200	199	320	279	275	183	3.1
KFBK 250	249	370	327	325	233	4.5
KFBK 315	314	430	392	425	333	6.7

