



Filter boxes

KFBK

for rectangular ducts

Use

- For purification of supply or exhaust air in ventilation and air conditioning systems installed in various premises.
- Designed for protection of air ducts, heat exchangers, fans, controls and other ventilation system equipment against dust pollution.
- Prevent contamination of walls and ceilings located near the system.
- Can be used as pre-filters installed upstream to more efficient filters.
- Compatible with 400x200 up to 1000x500 mm rectangular air ducts.

Design

- Galvanized steel case.
- Equipped with a filter cartridge made of synthetic non-woven cloth with filtration class G4.
- Filter cartridge has manifold bending to increase the filtration surface and protected with a metal net against deformation with air pressure.
- Quick access to replaceable filter cartridge due to lever locks on a swivel filter cover.

Mounting

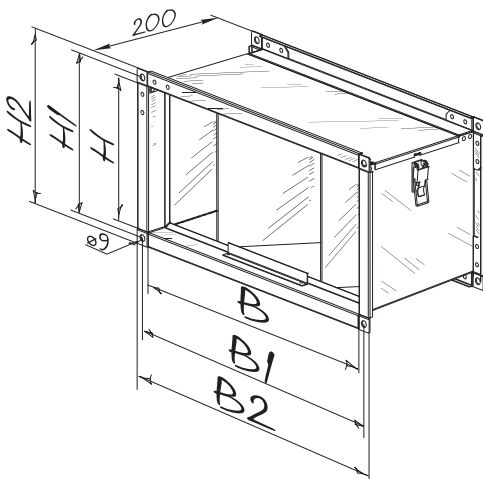
- Fixing to rectangular ducts with flange connection.
- Installed upstream to heater and fan following the air flow direction.
- While mounting provide extra space for free access to the filter for servicing.

Accessories

- G4 replaceable filter cartridges made of synthetic non-woven cloth series **FP-KFBK**.



Overall dimensions



Type	Dimensions [mm]						Weight [kg]
	B	B1	B2	H	H1	H2	
KFBK 40x20	400	420	440	200	220	240	2.4
KFBK 50x25	500	520	540	250	270	290	4.1
KFBK 50x30	500	520	540	300	320	340	4.4
KFBK 60x30	600	620	640	300	320	340	5.2
KFBK 60x35	600	620	640	350	370	390	5.8
KFBK 70x40	700	720	740	400	420	440	6.7
KFBK 80x50	800	820	840	500	520	540	7.9
KFBK 90x50	900	920	940	500	520	540	8.4
KFBK 100x50	1000	1020	1040	500	520	540	8.9

