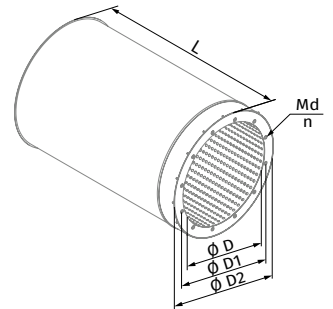


SILENCER SD

- o The silencer is used for attenuation of the operation noise generated by ventilation equipment and spreaded in the the air ducts. Designed for connection to round air ducts.
- o The **SD** silencer has a polymer-coated steel casing filled with noncombustible material that has a protective coating to prevent fiber deformation.

Model			Dimensions [mm]							Weight [kg]			
			ØD	ØD1	ØD2	L (1D)	L (1.5D)	L (2D)	Md	n	(1D)	(1.5D)	(2D)
SD-400-1D	SD-400-1.5D	SD-400-2D	400	450	515	402	602	802	M6	12	9.5	13.1	16.7
SD-450-1D	SD-450-1.5D	SD-450-2D	450	500	565	452	677	902	M6	12	11.6	16.2	20.8
SD-500-1D	SD-500-1.5D	SD-500-2D	500	560	615	502	752	1002	M10	12	13.9	19.5	25.4
SD-560-1D	SD-560-1.5D	SD-560-2D	560	620	675	562	842	1122	M10	12	17.2	24.5	31.5
SD-630-1D	SD-630-1.5D	SD-630-2D	630	690	745	632	947	1262	M10	12	20.5	29.3	38.1
SD-710-1D	SD-710-1.5D	SD-710-2D	710	770	825	712	1067	1422	M10	16	25.6	36.2	47.6
SD-800-1D	SD-800-1.5D	SD-800-2D	800	860	903	801	1202	1601	M10	16	32.3	46.3	65.2
SD-900-1D	SD-900-1.5D	SD-900-2D	900	970	1003	901	1382	1801	M10	16	40.2	57.8	80.4
SD-1000-1D	SD-1000-1.5D	SD-1000-2D	1000	1070	1120	1002	1502	2002	M10	16	54.4	79.0	109.0
SD-1120-1D	SD-1120-1.5D	SD-1120-2D	1120	1190	1273	1122	1682	2242	M12	20	70.2	101.0	141.4
SD-1250-1D	SD-1250-1.5D	SD-1250-2D	1250	1320	1410	1252	1877	2502	M12	20	86.3	124.8	172.6



Noise level reduction

- o The values shown in the tables represent the difference between the sound power level (Lw) of the combination of the fan, the attenuator and the power of one fan.
- o To determine the sound power level of the fan equipped with a silencer, the insertion loss must be subtracted from the rated sound power level (Lw) of the fan on the mid-frequency spectrum in the octave band given in the fan specifications.

Model	Sound attenuation by frequency band [dB]								LwA [dBA] Sound-power level, A-weighted
	63 Hz	125 Hz	250 Hz	500 Hz	1000 Hz	2000 Hz	4000 Hz	8000 Hz	
SD-400-1D	2	3	5	9	13	10	8	7	17
SD-450-1D	2	3	5	10	13	10	8	7	17
SD-500-1D	2	3	6	10	14	10	8	7	17
SD-560-1D	2	4	6	10	14	10	8	7	17
SD-630-1D	3	4	7	13	14	9	8	6	18
SD-710-1D	3	4	8	14	14	9	7	6	18
SD-800-1D	3	4	8	14	13	9	7	6	17
SD-900-1D	3	4	9	14	13	8	7	6	17
SD-1000-1D	3	4	9	14	12	8	7	6	17
SD-1120-1D	3	4	10	14	12	8	6	6	17
SD-1250-1D	3	4	10	14	12	8	6	6	17

Model	Sound attenuation by frequency band [dB]								LwA [dBA] Sound-power level, A-weighted
	63 Hz	125 Hz	250 Hz	500 Hz	1000 Hz	2000 Hz	4000 Hz	8000 Hz	
SD-400-1.5D	3	5	8	13	17	14	12	10	21
SD-450-1.5D	3	5	8	14	17	14	12	10	21
SD-500-1.5D	3	5	8	14	18	14	12	10	21
SD-560-1.5D	4	6	9	14	18	14	12	10	21
SD-630-1.5D	4	6	9	17	19	13	12	8	22
SD-710-1.5D	4	6	10	18	19	13	11	8	22
SD-800-1.5D	4	6	10	18	18	13	11	8	21
SD-900-1.5D	4	6	11	18	16	11	10	8	20
SD-1000-1.5D	5	6	11	18	16	11	10	8	20
SD-1120-1.5D	5	6	12	18	15	11	9	9	20
SD-1250-1.5D	5	6	12	18	15	11	9	9	20

Model	Sound attenuation by frequency band [dB]								LwA [dBA] Sound-power level, A-weighted
	63 Hz	125 Hz	250 Hz	500 Hz	1000 Hz	2000 Hz	4000 Hz	8000 Hz	
SD-400-2D	4	6	10	16	21	18	15	13	25
SD-450-2D	4	7	10	17	21	18	15	13	25
SD-500-2D	4	7	10	18	21	17	15	12	24
SD-560-2D	5	7	11	18	21	17	15	12	24
SD-630-2D	5	8	11	21	23	17	15	10	26
SD-710-2D	5	8	12	22	23	16	15	10	26
SD-800-2D	5	8	12	22	23	16	15	10	26
SD-900-2D	5	8	13	22	19	13	12	10	23
SD-1000-2D	6	8	13	22	19	13	12	10	23
SD-1120-2D	6	8	13	21	18	13	12	11	23
SD-1250-2D	6	8	13	21	18	13	12	11	23