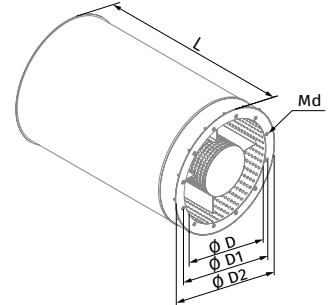


SILENCER SDV

- The silencer is used for attenuation of the operation noise generated by ventilation equipment and spreaded in the the air ducts. Designed for connection to round air ducts.
- The **SDV** silencer has a polymer-coated steel casing filled with noncombustible material that has a protective coating to prevent fiber deformation. The silencer has an internal sound-absorbing element to increase sound attenuation efficiency.

Model	Dimensions [mm]								Weight [kg]				
	ØD	ØD1	ØD2	L (1D)	L (1.5D)	L (2D)	Md	n	(1D)	(1.5D)	(2D)		
SDV-400-1D	SDV-400-1.5D	SDV-400-2D	400	450	515	402	602	802	M6	12	14.0	19.0	24.0
SDV-450-1D	SDV-450-1.5D	SDV-450-2D	450	500	565	452	677	902	M6	12	17.0	22.0	27.0
SDV-500-1D	SDV-500-1.5D	SDV-500-2D	500	560	615	502	752	1002	M10	12	23.0	31.0	38.0
SDV-560-1D	SDV-560-1.5D	SDV-560-2D	560	620	675	562	842	1122	M10	12	27.0	35.0	46.0
SDV-630-1D	SDV-630-1.5D	SDV-630-2D	630	690	745	632	947	1262	M10	12	33.0	46.0	59.0
SDV-710-1D	SDV-710-1.5D	SDV-710-2D	710	770	825	712	1067	1422	M10	16	39.0	55.0	71.0
SDV-800-1D	SDV-800-1.5D	SDV-800-2D	800	860	903	801	1202	1601	M10	16	53.0	74.0	100.6
SDV-900-1D	SDV-900-1.5D	SDV-900-2D	900	970	1003	901	1382	1801	M10	16	63.0	84.0	126.0
SDV-1000-1D	SDV-1000-1.5D	SDV-1000-2D	1000	1070	1120	1002	1502	2002	M10	16	85.0	120.0	170.0
SDV-1120-1D	SDV-1120-1.5D	SDV-1120-2D	1120	1190	1273	1122	1682	2242	M12	20	105.0	148.0	210.0
SDV-1250-1D	SDV-1250-1.5D	SDV-1250-2D	1250	1320	1410	1252	1877	2502	M12	20	134.0	190.0	260.0



Noise level reduction

- The values shown in the tables represent the difference between the sound power level (L_w) of the combination of the fan, the attenuator and the power of one fan.
- To determine the sound power level of the fan equipped with a silencer, the insertion loss must be subtracted from the rated sound power level (L_w) of the fan on the mid-frequency spectrum in the octave band given in the fan specifications.

Model	Sound attenuation by frequency band [dB]								L_{WA} [dBA] Sound-power level, A-weighted
	63 Hz	125 Hz	250 Hz	500 Hz	1000 Hz	2000 Hz	4000 Hz	8000 Hz	
SDV-400-1D	4	6	9	14	21	19	16	13	25
SDV-450-1D	4	6	9	15	21	19	16	13	25
SDV-500-1D	4	6	9	15	22	19	15	12	25
SDV-560-1D	4	6	9	15	22	19	15	12	25
SDV-630-1D	4	6	10	18	22	19	15	11	25
SDV-710-1D	5	6	10	18	22	19	15	11	25
SDV-800-1D	5	6	10	18	24	17	15	11	26
SDV-900-1D	5	7	11	20	20	16	13	11	24
SDV-1000-1D	5	7	12	20	19	14	13	10	23
SDV-1120-1D	5	7	12	20	19	14	13	10	23
SDV-1250-1D	5	7	12	20	19	14	13	10	23

Model	Sound attenuation by frequency band [dB]								L_{WA} [dBA] Sound-power level, A-weighted
	63 Hz	125 Hz	250 Hz	500 Hz	1000 Hz	2000 Hz	4000 Hz	8000 Hz	
SDV-400-1.5D	5	8	12	18	25	24	21	18	29
SDV-450-1.5D	5	8	12	19	25	24	21	18	29
SDV-500-1.5D	6	8	12	20	26	24	21	17	30
SDV-560-1.5D	6	8	12	20	26	24	21	17	30
SDV-630-1.5D	6	9	13	23	28	26	22	16	31
SDV-710-1.5D	7	9	13	23	28	25	22	16	31
SDV-800-1.5D	7	9	13	23	29	24	22	16	32
SDV-900-1.5D	7	9	15	24	24	22	18	15	28
SDV-1000-1.5D	7	9	16	24	24	21	18	15	28
SDV-1120-1.5D	7	9	16	24	24	21	18	14	28
SDV-1250-1.5D	7	9	16	24	24	21	18	14	28

Model	Sound attenuation by frequency band [dB]								L_{WA} [dBA] Sound-power level, A-weighted
	63 Hz	125 Hz	250 Hz	500 Hz	1000 Hz	2000 Hz	4000 Hz	8000 Hz	
SDV-400-2D	6	9	14	22	29	28	26	23	34
SDV-450-2D	6	9	14	22	29	28	26	23	34
SDV-500-2D	7	10	14	24	30	29	27	22	35
SDV-560-2D	7	10	14	24	30	29	27	22	35
SDV-630-2D	7	11	16	28	33	32	29	20	37
SDV-710-2D	8	11	16	28	34	31	28	20	37
SDV-800-2D	8	11	16	28	34	31	28	20	37
SDV-900-2D	8	11	18	27	28	27	23	19	33
SDV-1000-2D	8	11	19	27	29	27	23	19	33
SDV-1120-2D	8	11	19	27	28	27	22	17	33
SDV-1250-2D	8	11	19	27	28	27	22	17	33

Pressure drops

Model	Air speed 5 m/s		Air speed 10 m/s		Air speed 15 m/s	
	Air flow [m³/h]	Pressure drop [Pa]	Air flow [m³/h]	Pressure drop [Pa]	Air flow [m³/h]	Pressure drop [Pa]
SRV-400-1D	1900	6	3600	25	5300	66
SRV-450-1D	2200	7	4200	26	6200	68
SRV-500-1D	2900	8	5600	31	8300	67
SRV-560-1D	3400	5	6600	17	9800	44
SRV-630-1D	4600	6	9000	19	13300	41
SRV-710-1D	5300	4	10400	11	15500	25
SRV-800-1D	7200	5	14200	15	21200	38
SRV-900-1D	9600	4	19000	19	28400	57
SRV-1000-1D	8400	4	16500	11	24700	29
SRV-1120-1D	12000	5	23700	17	35500	44
SRV-1250-1D	16300	6	32400	24	48500	58

Model	Air speed 5 m/s		Air speed 10 m/s		Air speed 15 m/s	
	Air flow [m³/h]	Pressure drop [Pa]	Air flow [m³/h]	Pressure drop [Pa]	Air flow [m³/h]	Pressure drop [Pa]
SRV-400-1.5D	1900	9	3600	33	5300	80
SRV-450-1.5D	2200	10	4200	34	6200	82
SRV-500-1.5D	2900	11	5600	40	8300	84
SRV-560-1.5D	3400	6	6600	22	9800	53
SRV-630-1.5D	4600	7	9000	25	13300	52
SRV-710-1.5D	5300	5	10400	14	15500	33
SRV-800-1.5D	7200	6	14200	20	21200	51
SRV-900-1.5D	9600	5	19000	24	28400	72
SRV-1000-1.5D	8400	5	16500	14	24700	36
SRV-1120-1.5D	12000	6	23700	21	35500	56
SRV-1250-1.5D	16300	7	32400	30	48500	75

Model	Air speed 5 m/s		Air speed 10 m/s		Air speed 15 m/s	
	Air flow [m³/h]	Pressure drop [Pa]	Air flow [m³/h]	Pressure drop [Pa]	Air flow [m³/h]	Pressure drop [Pa]
SRV-400-2D	1900	11	3600	40	5300	94
SRV-450-2D	2200	12	4200	41	6200	96
SRV-500-2D	2900	13	5600	48	8300	100
SRV-560-2D	3400	7	6600	27	9800	62
SRV-630-2D	4600	8	9000	30	13300	63
SRV-710-2D	5300	5.5	10400	17	15500	41
SRV-800-2D	7200	6.5	14200	24	21200	63
SRV-900-2D	9600	6	19000	29	28400	87
SRV-1000-2D	8400	6	16500	16	24700	43
SRV-1120-2D	12000	6	23700	24	35500	67
SRV-1250-2D	16300	8	32400	36	48500	91

PROTECTIVE MESH SZ-AF

- o Protects the fans against ingress of foreign objects.
- o Protective mesh with 25x25 mm cells

Model	Dimensions [mm]					Weight [kg]
	ØD	ØD1	ØD2	Ød	n	
SZ-AF-400	400	450	490	8	12	1.28
SZ-AF-450	450	500	540	8	12	1.45
SZ-AF-500	500	560	600	12	12	1.77
SZ-AF-560	560	620	660	12	12	2.0
SZ-AF-630	630	690	730	12	12	2.28
SZ-AF-710	710	770	810	12	16	2.59
SZ-AF-800	800	860	900	12	16	2.97
SZ-AF-900	900	970	1015	15	16	3.83
SZ-AF-1000	1000	1070	1115	15	16	4.32
SZ-AF-900	900	970	1015	15	16	3.83
SZ-AF-1000	1000	1070	1115	15	16	4.32
SZ-AF-1120	1120	1190	1270	15	20	6.2
SZ-AF-1250	1250	1320	1400	15	20	7.03

