

SGR-3/1

Sensor speed switch

Features

- On/off switch and speed selection for multi-speed fans.



Design

- Casing made of high-quality plastic.
- Glass sensor operating panel with three touch buttons for speed selection with light indication.
- Wall flush mounting.
- IP30 ingress protection rating.

Control

- Required speed is activated by touching the respectively marked speed button.
- The fan is turned off by touching the current speed button.

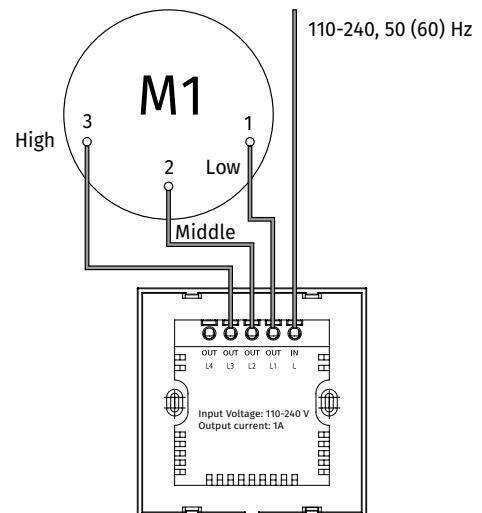
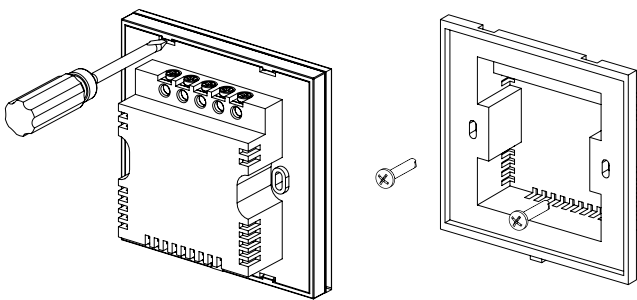
Mounting

- Designed for wall mounting in a flush mounting box.

Technical data

Parameters	SGR-3/1
Voltage 50 (60) Hz [V]	110–240
Max. current load [A]	1
Number of speeds	3
Cable cross section [mm ²]	from 0.35 up to 1
Temperature range [°C]	from -10 up to +45
Operating humidity range [%]	from 5 up to 80 (no condensation)
Service life	100 000 operations
Ingress Protection	IP30
Weight [g]	138

SPEED CONTROLLERS



Overall dimensions [mm]

