

# SGS E1 / SGS E2.5

## Sensor speed controller



### Features

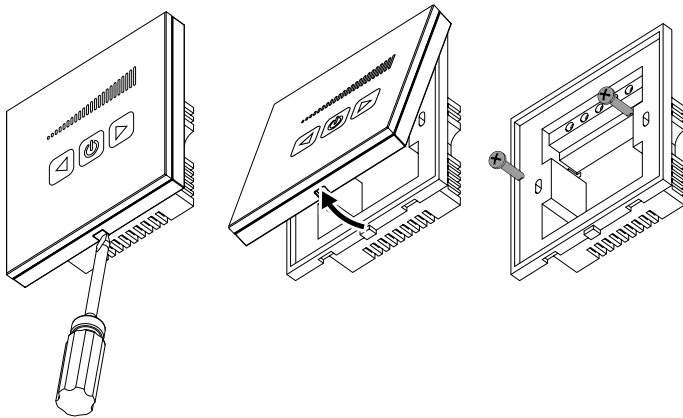
- On/off switch and speed control for single-phase voltage controlled fans.

### Design

- Casing made of high-quality plastic.
- Glass sensor panel with an ON/OFF button and two speed control buttons.
- The adjustable speed is displayed with the LED indicator.
- Wall flush mounting.
- IP30 ingress protection rating.

### Mounting

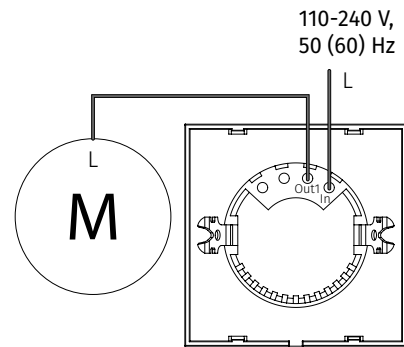
- Designed for wall mounting in a flush mounting box.



### Technical data

Parameters	SGS E1	SGS E2.5
Voltage 50 (60) Hz [V]	230	230
Max. current load [A]	1	2.5
Cable cross section [mm <sup>2</sup> ]	from 0.35 up to 1	from 0.35 up to 1
Temperature range [°C]	from -10 up to +45	from -10 up to +45
Operating humidity range [%]	from 5 up to 80 (no condensation)	from 5 up to 80 (no condensation)
Service life	100 000 operations	100 000 operations
Ingress Protection	IP30	IP30
Weight [g]	138	138

SPEED CONTROLLERS



M – ventilation equipment motor

### Overall dimensions [mm]

