

Axial roof fans

Tower-AL

Air capacity – up to 1700 m³/h

Use

- Exhaust ventilation systems installed in various premises.
- Roof mounting.
- For any types of roofs or vertical ventilation shafts.

Design

- Steel casing with a special polymer atmospheric resistant coating.
- Aluminium impeller.
- Horizontal air exhaust.
- The fan is equipped with a terminal block for connection to power mains.
- The fan is rated for continuous operation.
- A connecting plate with an intake opening is designed to facilitate mounting to the roof surface.

Motor

- Single-phase asynchronous external rotor motor with axial impeller.
- Equipped with ball bearings for longer service life.
- Overheating protection by built-in thermal switches with automatic restart.

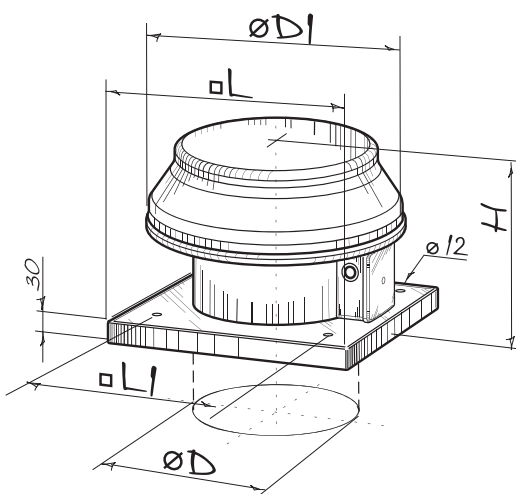
Speed control

- Smooth speed control with an external thyristor controller or step speed control with an external auto transformer (both available upon separate order).

Mounting

- Roof mounting directly above a ventilation shaft or air duct.
- The fan is connected to the air duct with the intake flange that is fixed to the fan base.
- The fan base has holes for fixing bolts that attach the fan to a stable level surface or a roof frame.
- Roof frame and intake flange available on separate order.
- Power is supplied through an external terminal box.

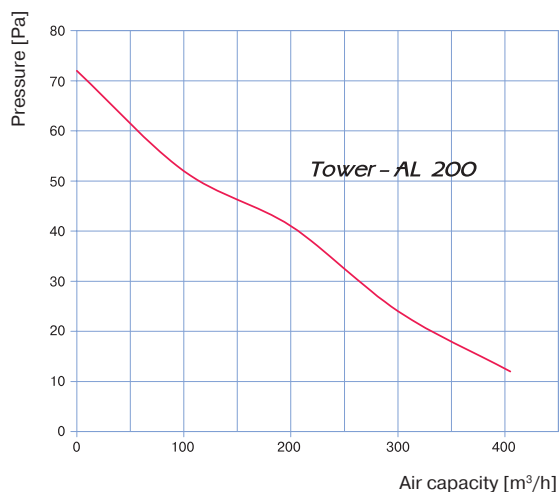
Overall dimensions



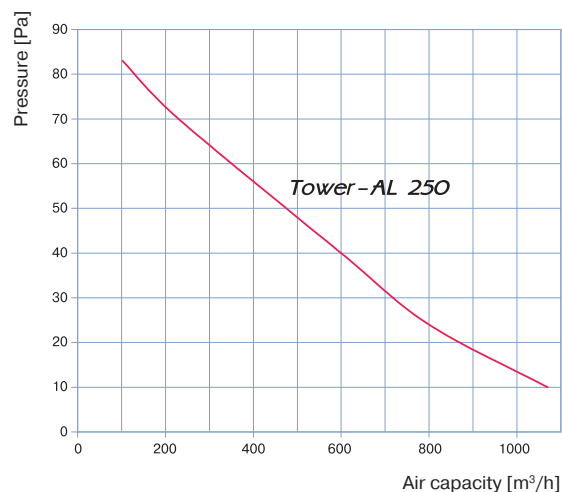
Type	Dimensions [mm]					Weight [kg]
	$\varnothing D$	$\varnothing D1$	H	L	L1	
Tower-AL 200	208	345	280	425	330	6.1
Tower-AL 250	262	405	300	425	330	7.2
Tower-AL 315	314	555	380	585	450	11.5

■ Specifications

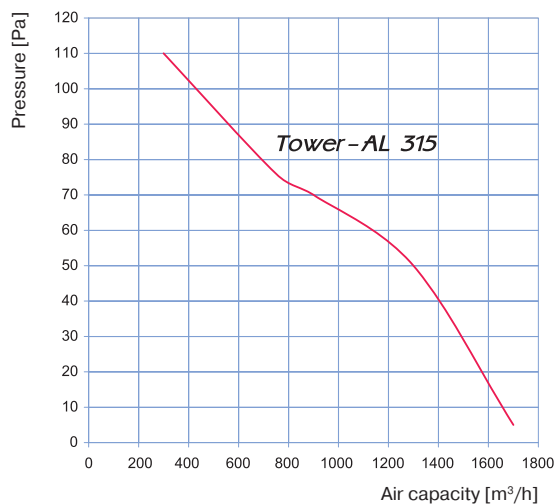
Parameters	Tower-AL 200	Tower-AL 250	Tower-AL 315
Voltage [V / 50 Hz]	230	230	230
Power [W]	43	68	110
Current [A]	0.28	0.48	0.75
Maximum air capacity [m ³ /h]	405	1070	1700
RPM [min ⁻¹]	1300	1300	1300
Sound pressure level at 3 m distance [dBA]	32	48	54
Max. operating temperature [°C]	50	50	50
SEC class	-	-	C
Ingress protection rating	IPX4	IPX4	IPX4



Sound-power level	Octave-frequency band [Hz]								
	Gen	63	125	250	500	1000	2000	4000	8000
L _{WA} to inlet, [dBA]	56	55	61	55	41	40	36	30	15
L _{WA} to environment, [dBA]	56	54	63	56	41	38	35	28	15



Sound-power level	Octave-frequency band [Hz]								
	Gen	63	125	250	500	1000	2000	4000	8000
L _{WA} to inlet, [dBA]	61	64	67	62	42	47	44	34	20
L _{WA} to environment, [dBA]	60	65	69	60	44	45	42	35	21



Sound-power level	Octave-frequency band [Hz]								
	Gen	63	125	250	500	1000	2000	4000	8000
L _{WA} to inlet, [dBA]	61	67	69	62	47	50	46	41	30
L _{WA} to environment, [dBA]	64	66	67	62	47	51	49	41	28