

Tubo-M / Tubo-MZ

Axial inline fans

Use

- Supply and extract ventilation systems installed in various premises.
- Mounting in ventilation systems with low static pressure requiring high air capacity.
- Compatible with Ø 100 up to 315 mm round air ducts.



Air flow:
up to 1700 m³/h
472 l/s



Power:
from 26 W



Noise level:
from 31 dBA



Design

- Compact steel casing covered with special polymer coating (**Tubo-M** series) or galvanized steel casing (**Tubo-MZ** series).
- Aluminium impeller.
- The fan is equipped with a power cord and external terminal block for connection to power mains.

Motor

- Single-phase asynchronous external rotor motor with axial impeller.
- Equipped with ball bearings for longer service life.
- Integrated thermal protection with automatic restart.

Speed control

- Smooth speed control with an external thyristor controller or step speed control with an external auto transformer (both available upon separate order).

Mounting

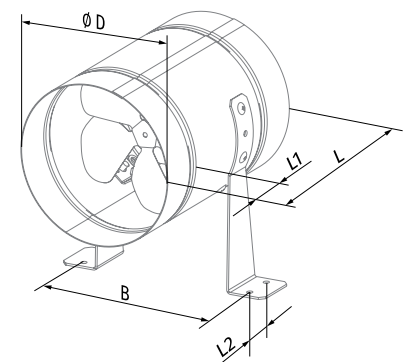
- Mounting in air duct or directly to the wall in any position with respect to air flow direction in the system.
- Power is supplied to the fan through an external terminal box with sealed electric lead-in.
- Wall or ceiling mounting with fixing brackets supplied as a standard.
- Polymer coated or galvanized steel reducers are provided for connection of the **Tubo-M** fans with Ø 150 up to 250 mm air ducts. The reducers are not included into delivery list and are available upon separate order.
- Tubo-M 315** and **Tubo-MZ 315** with Ø 315 mm air ducts have direct connection.

Designation key

Series	Modifications	Connected air duct diameter [mm]
Tubo-M	Z: galvanized steel	150; 200; 250; 315

Overall dimensions [mm]

Type	Ø D	B	L	L1	L2	Weight [kg]
Tubo-M / Tubo-MZ 150	162	183	220	40	30	2.08
Tubo-M / Tubo-MZ 200	208	228	220	40	30	2.54
Tubo-M / Tubo-MZ 250	262	283	270	55	30	3.97
Tubo-M / Tubo-MZ 315	315	337	278	55	40	4.84



Accessories

Speed controllers



CDT E1.8

Technical data

Parameters	Tubo-M 150 Tubo-MZ 150		Tubo-M 200 Tubo-MZ 200		Tubo-M 250 Tubo-MZ 250		Tubo-M 315 Tubo-MZ 315	
Voltage [V]	1~ 220-240		1~ 220-240		1~ 220-240		1~ 220-240	
Frequency [Hz]	50	60	50	60	50	60	50	60
Power [W]	36	26	43	33	68	76	110	104
Current [A]	0.26	0.26	0.28	0.21	0.48	0.51	0.75	0.7
Maximum air flow [m³/h (l/s)]	200 (56)	205 (57)	405 (113)	470 (131)	1070 (297)	1050 (292)	1700 (472)	1650 (458)
RPM [min⁻¹]	1300	1590	1300	1615	1300	1450	1300	1365
Sound pressure at 3 m [dBA]	33	33	33	33	37	37	42	43
Max. transported air temperature [°C]	-30 ... +40		-30 ... +40		-30 ... +40		-30 ... +40	
IP rating	IPX4		IPX4		IPX4		IPX4	
Motor IP rating	IP44		IP44		IP44		IP44	

