

# VENTO ERGO A50(-1) S10 PRO1

## HEAT RECOVERY SINGLE-ROOM UNITS

### Features

- Arrangement of efficient energy-saving supply and exhaust single-room ventilation in flats, houses, cottages, social and commercial premises.
- Heat recovery minimises ventilation heat losses.
- Humidity balance and controllable air exchange create individually set microclimate.
- Coordinated network based on several integrated single-room ventilation units with central control.



**Air flow:**  
up to 50 m<sup>3</sup>/h  
14 l/s



**Heat recovery efficiency:**  
up to 88 %



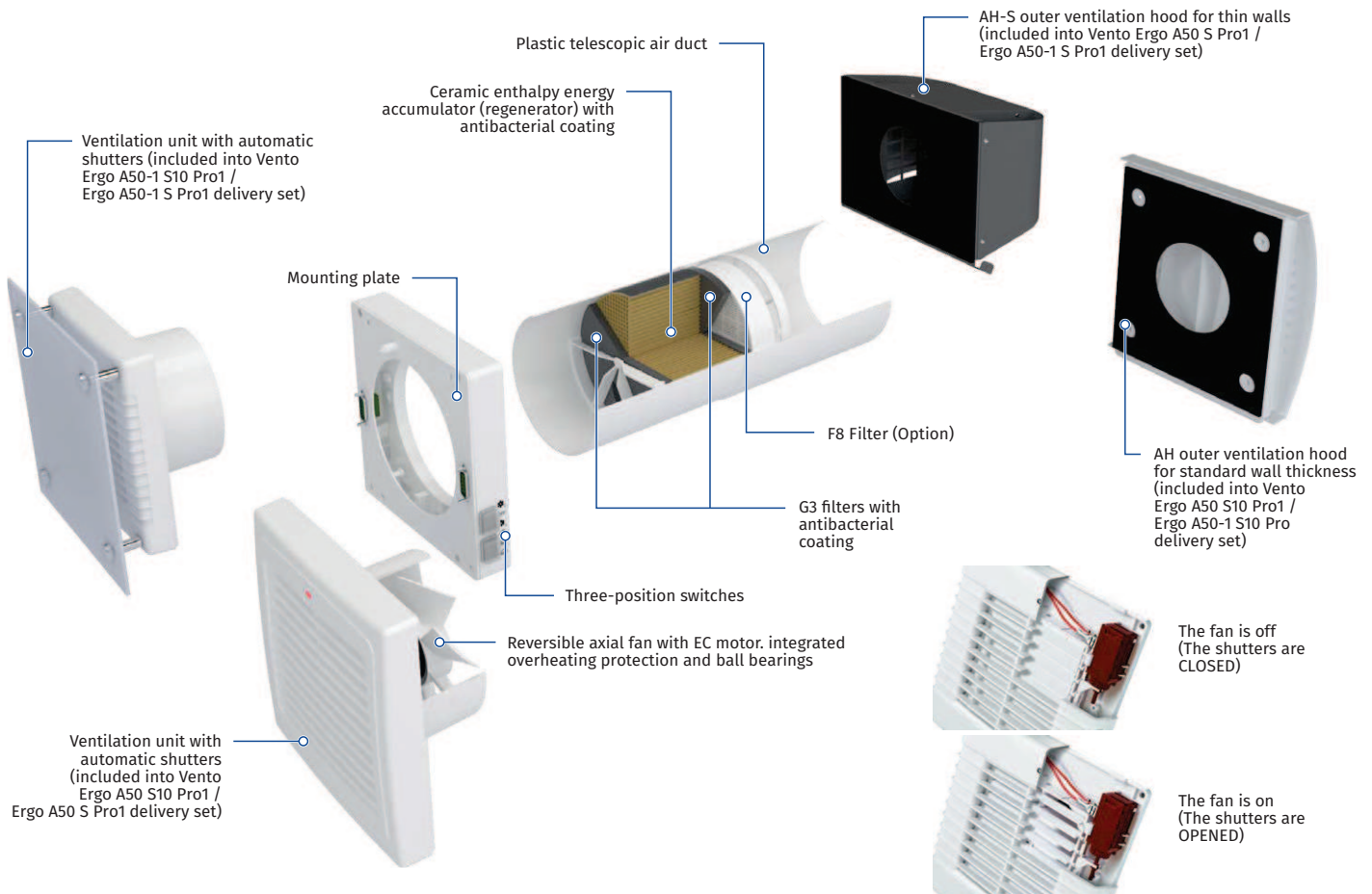
**Power:**  
from 4.5 W  
**SFP:** from 1.01 W/l/s



**Noise level:**  
from 13 dBA



### Design



### Designation key

Model	Air duct	Nominal air flow [m <sup>3</sup> /h]	Front panel	Hood type	Control
Vento Ergo	A: round air duct	50	_: no flat front panel -1: flat front panel	S10: white plastic hood AH-10 white 100 (for standard walls) S: AH-S chrome 150 metal hood for thin walls	Pro: three-position switches and remote control

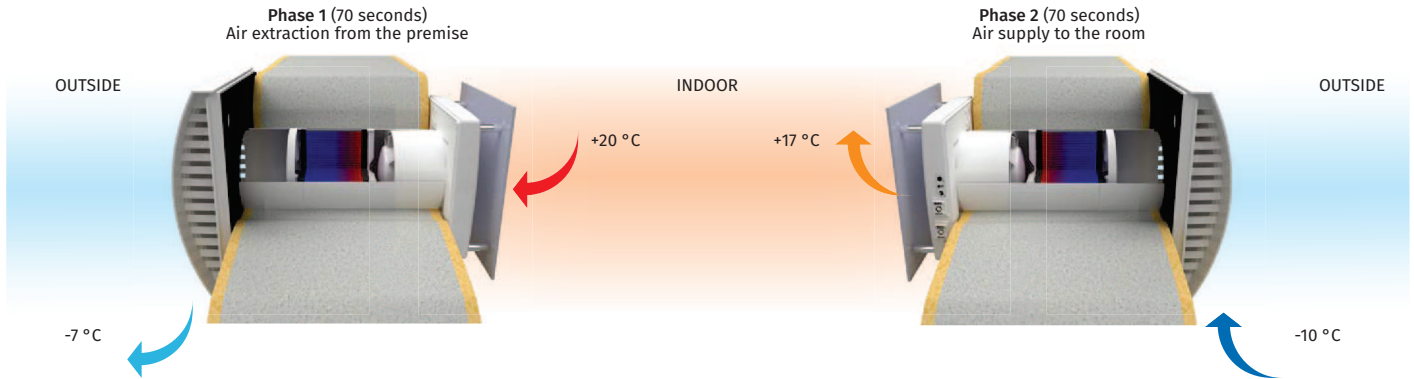
# VENTO ERGO A50(-1) S10 PRO1

## HEAT RECOVERY SINGLE-ROOM UNITS

### Heat and moisture regeneration

- High-tech ceramic energy accumulator with heat recovery up to 88 %.
- Due to its cellular structure it has a larger heat transfer area surface and high efficiency. The energy accumulator is featured with excellent heat-conducting properties and thermal energy storage capacity.

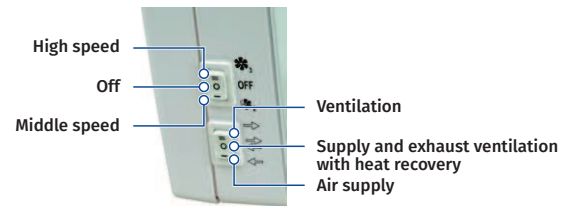
### UNIT OPERATING LOGIC IN WINTER PERIOD



- Warm stale air is extracted from the premise, flows through the ceramic regenerator and transfers a part of the accumulated heat and moisture to it.
- In 70 seconds, after heating of the ceramic regenerator, the unit switches to the supply mode.
- Clean cold intake air flows through the regenerator and absorbs accumulated heat and humidity.
- In 70 seconds, after cooling of the ceramic regenerator, the unit is switched to the extract air mode.

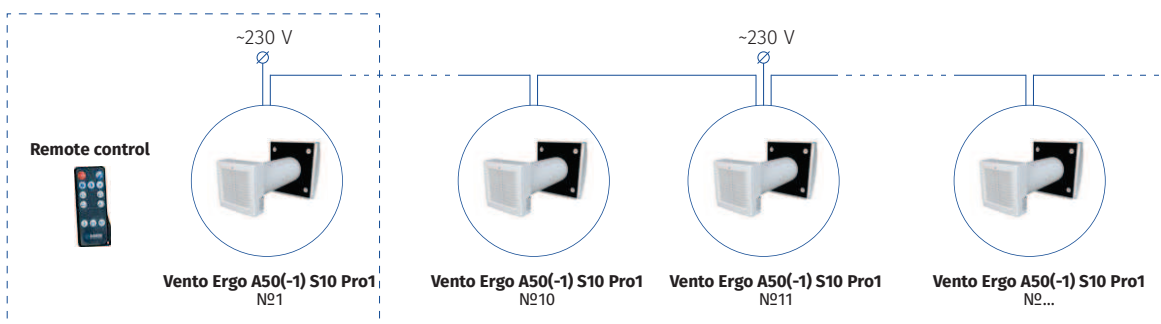
### Control

- The unit operation mode control is performed by means of manual three-position switches located on the unit casing or using the remote controller.
- The unit is equipped with a humidity sensor for indoor humidity control and regulation.
- Connection of the units into one ventilation system provide balanced ventilation and central control.
- Remote control and operation mode selection:



- Unit activation/deactivation**: Power on/off button.
- 3 unit speeds**: Buttons for High, Middle, and Low speed.
- Passive air supply mode**: The automatic shutters are opened, the fan does not run.
- Ventilation mode**: The integrated units operate in permanent air supply or air extract mode depending on settings during mounting. The unit is set into air extract mode by default.
- Night mode**: In the night the unit is switched to low speed mode by the photo sensor.
- Air supply mode**: The unit operates in permanent air supply mode.
- Reversible ventilation with heat recovery**: The unit switches from supply to extract mode and vice versa in set time periods and transfers the heat and moisture contained in the extract air to cold intake air in winter or the coolness in summer through the ceramic heat exchanger.
- Humidity control mode**: Set required humidity level (45, 55 or 65 %). The unit automatically maintains the comfortable set indoor humidity point.

- Connection of several units in series enables their synchronous control by the first unit. The signal from the remote control is received by the first unit only. Power 230 V must be supplied to the 1st and every 11th unit in a chain.

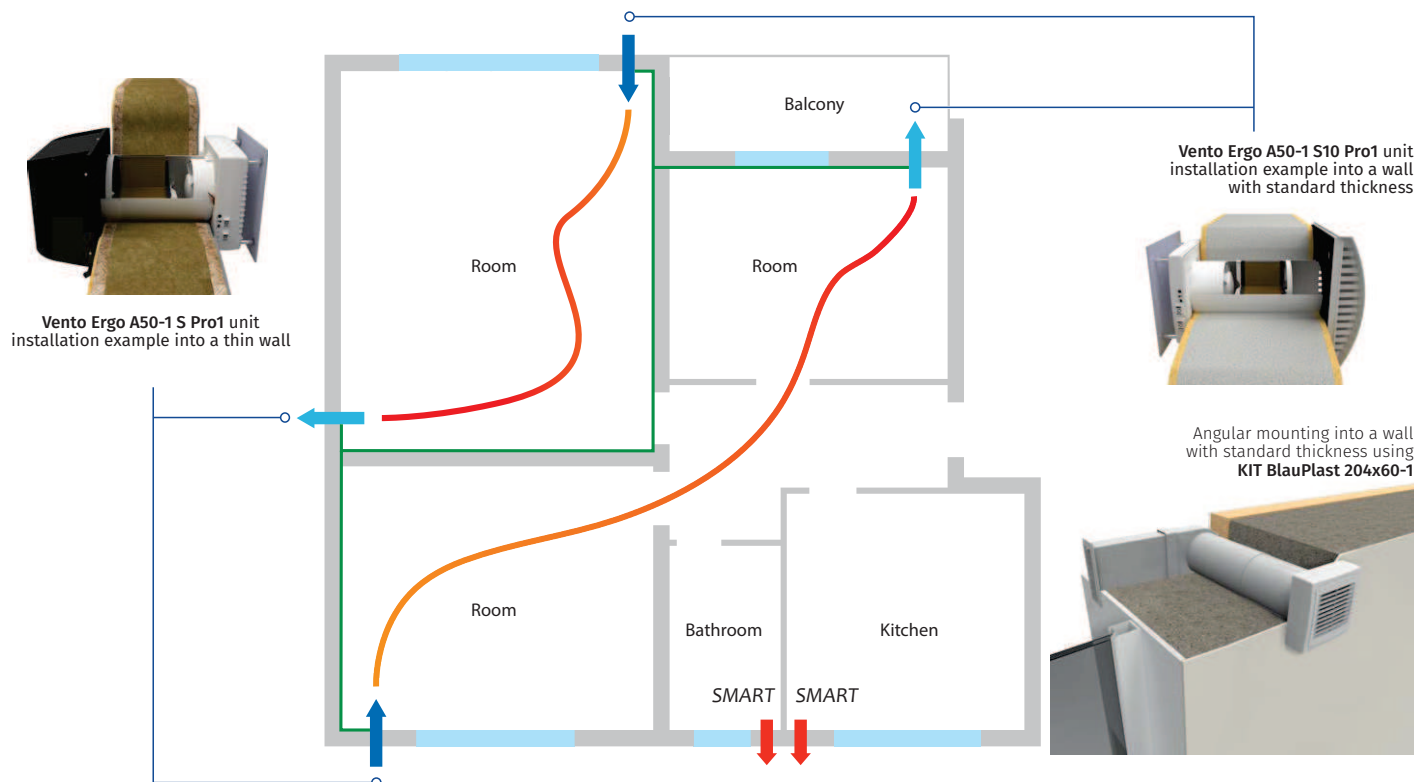


# VENTO ERGO A50(-1) S10 PRO1

## HEAT RECOVERY SINGLE-ROOM UNITS

### Mounting

- The unit is designed for external through-the-wall installation inside a prepared round hole in the outer wall of the building.
- The best ventilation solution is pairwise installation of reverse phase connected units. Some units supply fresh air to the room and the other units extract stale air from the room. This allows to arrange the most efficient balanced ventilation.
- In case of brand new construction the units are mounted in two stages:
  - **pre-installation** at the stage of the indoor finishing and outer decorative wall finishing. It includes installation of the telescopic air ducts, outer ventilation hood and laying out of electric cables.
  - **final mounting** before commissioning of a house. It includes installation of the regenerator, the filters, connection of the ventilation unit.
- If mounting of the ventilation hood on the outer wall is undesirable it may be flush mounted and the external grille may be inserted into the outer window jamb using the **KIT BlauPlast 204x60-1** pre-installation kit. Available upon separate order.



# VENTO ERGO A50(-1) S10 PRO1

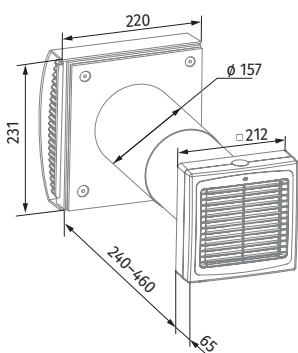
HEAT RECOVERY SINGLE-ROOM UNITS

## Technical data

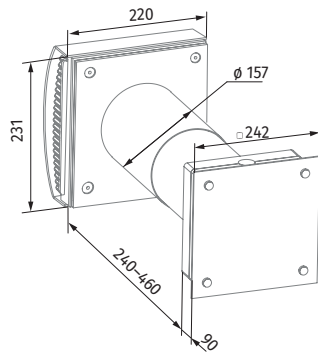
Parameters	Vento Ergo A50 S10 Pro1 Vento Ergo A50-1 S10 Pro1		
	I	II	III
Speed			
Voltage [V / 50 (60) Hz]	1 ~ 100-230		
Power [W]	4.5	5	7
Current [A]	0.024	0.026	0.039
RPM [min <sup>-1</sup> ]	610	800	1450
Maximum air flow [m <sup>3</sup> /h (l/s)]	21 (6)	32 (9)	50 (14)
Air flow in heat recovery mode [m <sup>3</sup> /h (l/s)]	11 (3)	16 (4)	25 (7)
SFP [W/l/s]	1.54	1.12	1.01
Outdoor sound pressure attenuation according to DIN EN 20140 [dBA]	40		
Sound pressure level at 1 m according to ISO 3741: 2004 [dBA]	22	29	32
Sound pressure level at 3 m according to ISO 3741: 2004 [dBA]	13	20	23
Heat recovery efficiency according to DIBt LÜ-A 20 [%]	up to 88		
Transported air temperature [°C]	-20...+40		
SEC Class	A		
Ingress protection rating	IP24		

ENERGY LABEL: A (Energy efficiency), 40 dB (Sound power level), 25 m<sup>3</sup>/h (Air flow)

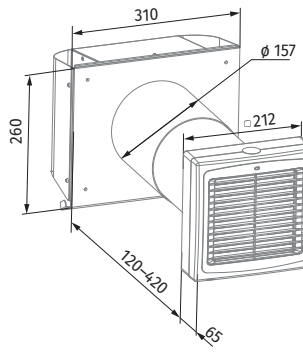
## Overall dimensions [mm]



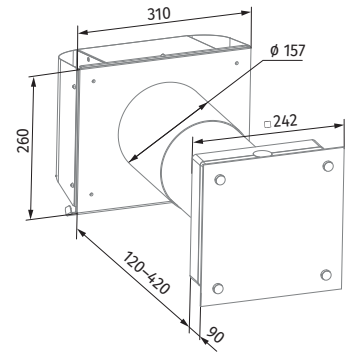
Vento Ergo A50 S10 Pro1



Vento Ergo A50-1 S10 Pro1



Vento Ergo A50 S Pro1



Vento Ergo A50-1 S Pro1

# VENTO ERGO A50(-1) S10 PRO1




## HEAT RECOVERY SINGLE-ROOM UNITS

### Accessories

Name	Description
Pre-installation Kit Vento Ergo A50 S10 Pro1	 <p>Pre-installation kit for mounting into a wall with standard thickness. Includes:</p> <ul style="list-style-type: none"> <li>• Round telescopic air duct with the diameter of 150 mm and adjustable length from 240 to 460 mm</li> <li>• AH-10 white 160 outer ventilation hood</li> <li>• Plastic foam plug</li> <li>• Plastic foam wedges</li> </ul>
Completion Kit Vento Ergo A50 Pro1	 <p>Includes:</p> <ul style="list-style-type: none"> <li>• Ceramic regenerator Ø 150 mm</li> <li>• Vento Ergo A50 ventilation unit</li> <li>• G3 filters</li> <li>• Mounting plate</li> <li>• Remote control</li> </ul>
Completion Kit Vento Ergo A50-1 Pro1	 <p>Includes:</p> <ul style="list-style-type: none"> <li>• Ceramic regenerator Ø 150 mm</li> <li>• Vento Ergo A50-1 ventilation unit</li> <li>• G3 filters</li> <li>• Mounting plate</li> <li>• Remote control</li> </ul>
FP Vento Ergo A50 G3	 <p>G3 filters (2 pcs.)</p>
AH-8 white 150	 <p>White painted aluminium hood for a cold climate</p>
AH-8 chrome 150	 <p>Brushed stainless steel outer ventilation hood for a cold climate</p>
AH-10 *colour* 160	 <p>Plastic outer ventilation hood. Available in colours:</p> <div style="display: flex; align-items: center; gap: 10px;"> <div style="border: 1px solid black; width: 15px; height: 15px; background-color: white;"></div> white             <div style="border: 1px solid black; width: 15px; height: 15px; background-color: black;"></div> black             <div style="border: 1px solid black; width: 15px; height: 15px; background-color: grey;"></div> grey             <div style="border: 1px solid black; width: 15px; height: 15px; background-color: #C85130;"></div> terracotta             <div style="border: 1px solid black; width: 15px; height: 15px; background-color: #4B2017;"></div> brown             <div style="border: 1px solid black; width: 15px; height: 15px; background-color: #D4C08E;"></div> vintage         </div>
AH-10 chrome 160	 <p>Plastic outer ventilation hood with a plate with brushed stainless steel effect finish</p>
AH-S grey 150	 <p>Outer ventilation hood for thin wall, painted grey</p>
AH-S chrome 150	 <p>Outer ventilation hood for thin wall made of brushed stainless steel</p>
PP 160/0.5	 <p>Outer ventilation hood for mounting from inside</p>

# VENTO ERGO A50(-1) S10 PRO1

## HEAT RECOVERY SINGLE-ROOM UNITS

Name	Description
<p>KIT BlauPlast 204x60-1</p>	 <p>Installation kit for angular mounting. Includes:</p> <ul style="list-style-type: none"> <li>• Plastic ventilation grille 230x86 mm</li> <li>• Plastic air duct 204x60 mm</li> <li>• Plastic connecting bend from Ø 150 to 204x60 mm</li> </ul>
<p>FP Vento Ergo A50 F8</p>	 <p>F8 filter</p>
<p>FB Vento Ergo</p>	 <p>Remote control</p>