

# VENTO EXPERT DUO A30-1 W

## HEAT RECOVERY SINGLE-ROOM UNITS

### Features

- Arrangement of balanced energy saving, supply and exhaust, single-room ventilation in kitchen, bathroom and utility room.
- Reducing heat losses caused by ventilation due to heat recovery.
- Humidity balance and regulated air exchange create individually controlled microclimate.
- Wi-Fi communication between several single-room ventilation units for coordinated operation.
- Controlled by Android or iOS smartphone or tablet.



**Air flow:**  
up to 30 m<sup>3</sup>/h  
8 l/s



**Heat recovery efficiency:**  
up to 85 %



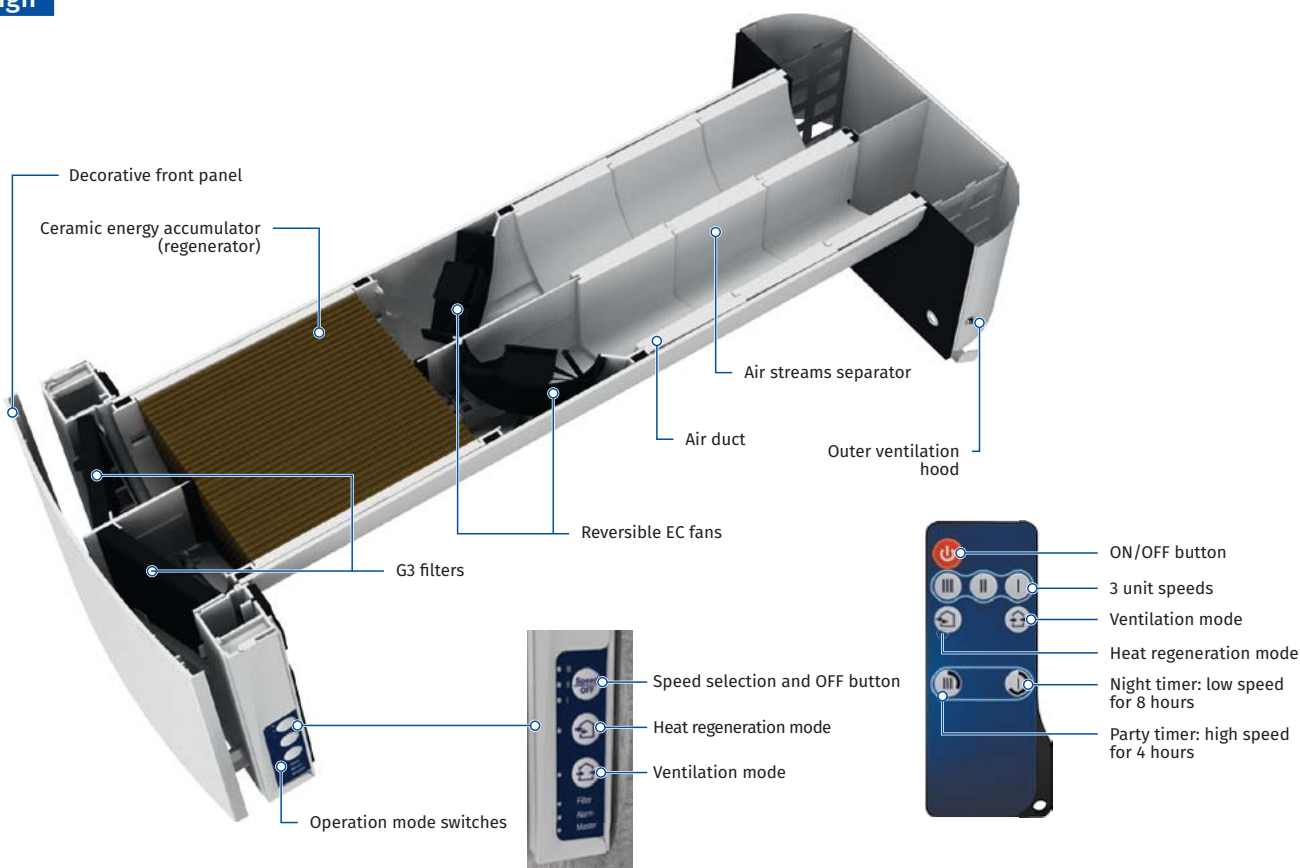
**Power:**  
from 2.17 W



**Noise level:**  
from 24 dBA



### Design



Built-in Wi-Fi for wireless communication between units and Android or iOS device control.



One of the best regeneration efficiency on the market due to innovative hexagonal structure of the heat exchanger cells.

### Designation key

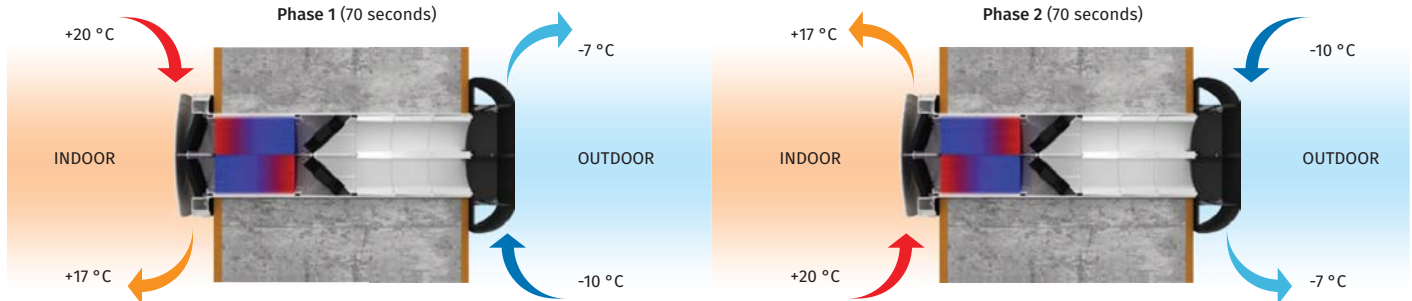
Model	Fans	Air duct	Nominal air flow [m <sup>3</sup> /h]	Unit modification	Control
VENTO Expert	DUO: two fans	A: round air duct	30	1	W: wireless control

# VENTO EXPERT DUO A30-1 W

HEAT RECOVERY SINGLE-ROOM UNITS

## Heat and moisture regeneration

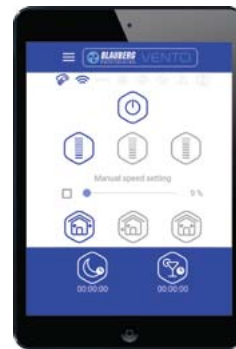
### UNIT OPERATING LOGIC IN WINTER PERIOD



- One fan supplies fresh and cold air from outdoor, which flows through the correspondent part of the ceramic regenerator and absorbs accumulated heat and humidity.
- At the same time, another fan extracts stale and warm air from indoor, that flows through the other part of the ceramic regenerator and transfers heat energy and moisture to it.
- After 70 second of operation, fans change their directions of rotations to the opposite ones, and everything happens vice versa.

## Control

- Control of the unit operation mode is performed by means of smartphone, sensor control panel located on the unit casing or a remote controller.



The units can be connected by Wi-Fi. Blauberg Vento app for Android or iOS devices is available at Google Play and App Store.



- The **VENTO Expert DUO A30-1 W** unit can be connected to a laptop for advanced settings:
  - Master or slave;
  - Connection through a Wi-Fi router or directly to a smartphone.

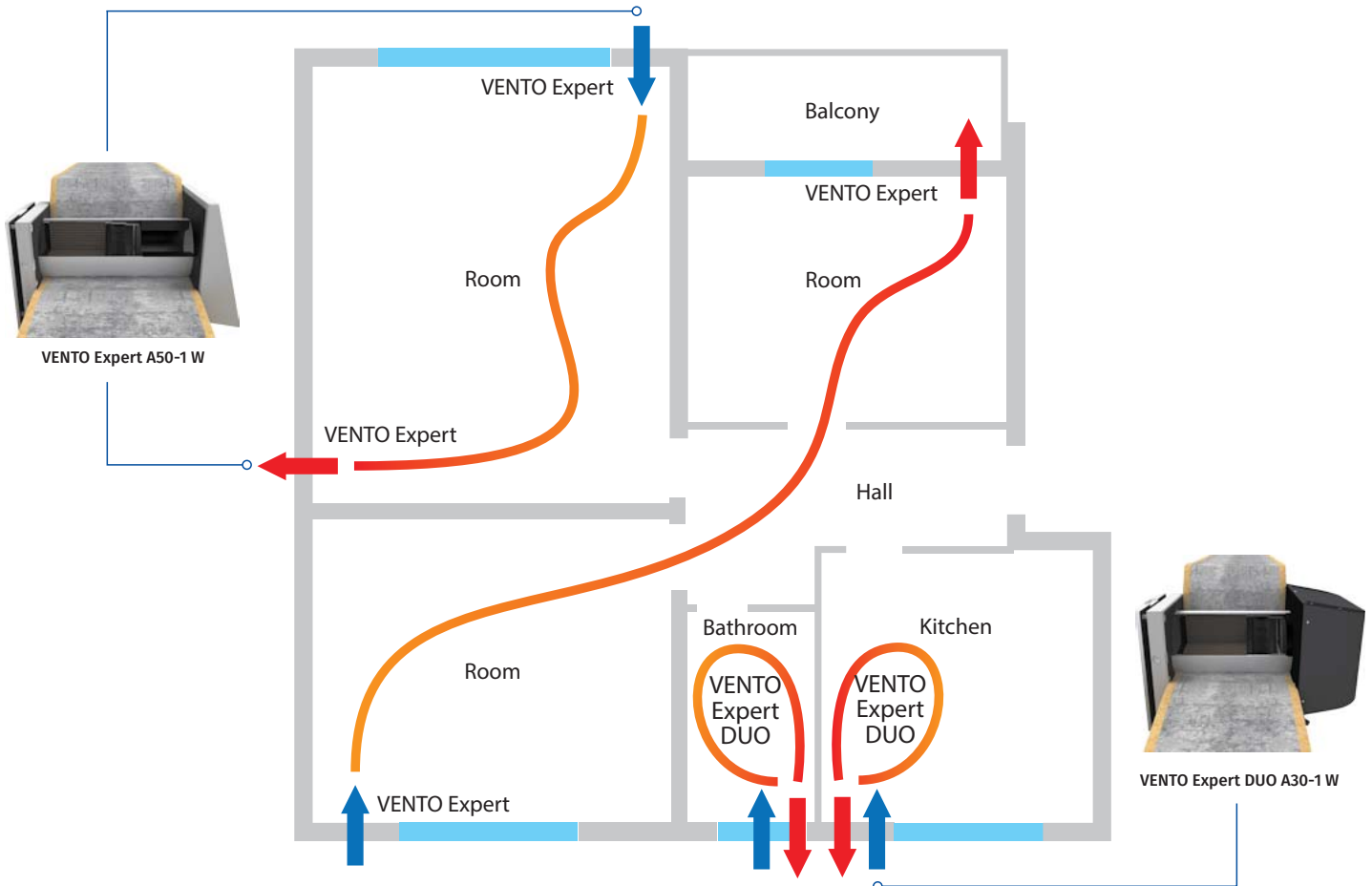
- VENTO Expert DUO A30-1 W** either can operate as independent unit, or can be connected with other units in a house to be controlled with a master unit. In this case, only the master unit receives a signal from the remote control.
- VENTO Expert DUO A30-1 W** is equipped with a humidity sensor for indoor humidity control. If humidity will rise higher than set point, than the unit will boost to high speed independently from other units in the system.

# VENTO EXPERT DUO A30-1 W

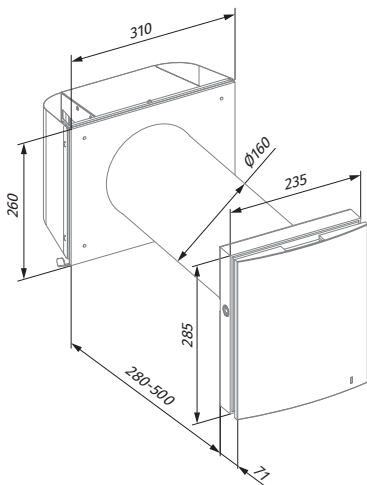
## HEAT RECOVERY SINGLE-ROOM UNITS

### Mounting

- VENTO Expert A50-1 W units should be installed in the living room and bedrooms while VENTO Expert DUO A30-1 W should be installed in kitchen, bathrooms and utility room.
- The unit is designed for through-the-wall installation inside a prepared hole in an outer wall of the building.



### Overall dimensions [mm]



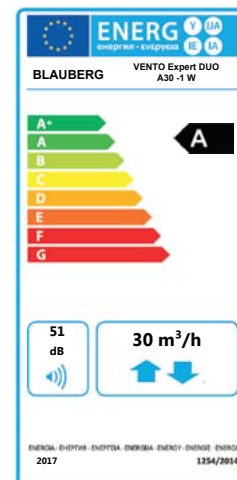
VENTO Expert DUO A30-1 W

# VENTO EXPERT DUO A30-1 W

## HEAT RECOVERY SINGLE-ROOM UNITS

### Technical data

Parameters	VENTO Expert DUO A30-1 W		
	I	II	III
Speed			
Voltage [V / 50 (60) Hz]		100-230	
Power [W]	2.17	3.66	6.62
Current [A]	0.026	0.039	0.066
RPM [min <sup>-1</sup> ]	1600	2200	2500
Air flow [m <sup>3</sup> /h (l/s)]	10 (3)	20 (6)	30 (8)
Air flow in heat recovery mode [m <sup>3</sup> /h (l/s)]		60 (16)	
Filter		G3	
Transported air temperature [°C]		15...+50	
Sound pressure level at 1 m [dBA]	33	40	43
Sound pressure level at 3 m [dBA]	24	31	34
Outdoor sound pressure attenuation [dBA] in accordance with DIN EN 20140		42	
Regeneration efficiency [%] in accordance with DIBt LÜ-A 20		up to 85	
SEC Class		A	
Ingress protection rating		IP24	



### Accessories

Name		Description
FP Vento Expert DUO A30 G3		G3 filter kit (2 pcs.)
FB Vento Expert A50		Remote control
AH-5 white 160 DUO		Stainless steel ventilation hood, painted white
AH-5 chrome 160 DUO		Brushed stainless steel ventilation hood
AH chrome 160 DUO		Brushed stainless steel ventilation hood
AH white 160 DUO		Aluminum ventilation hood, painted white
PP 160/0.5		Outer ventilation hood for mounting from inside
CD-1		CO <sub>2</sub> sensor with LED indication and on/off button
CD-2		CO <sub>2</sub> sensor
LST Vento Expert DUO		Air stream separator