

HEAT RECOVERY SINGLE-ROOM UNIT

NEW

VENTO Ergo V50 Pro VENTO Ergo V50-1 Pro

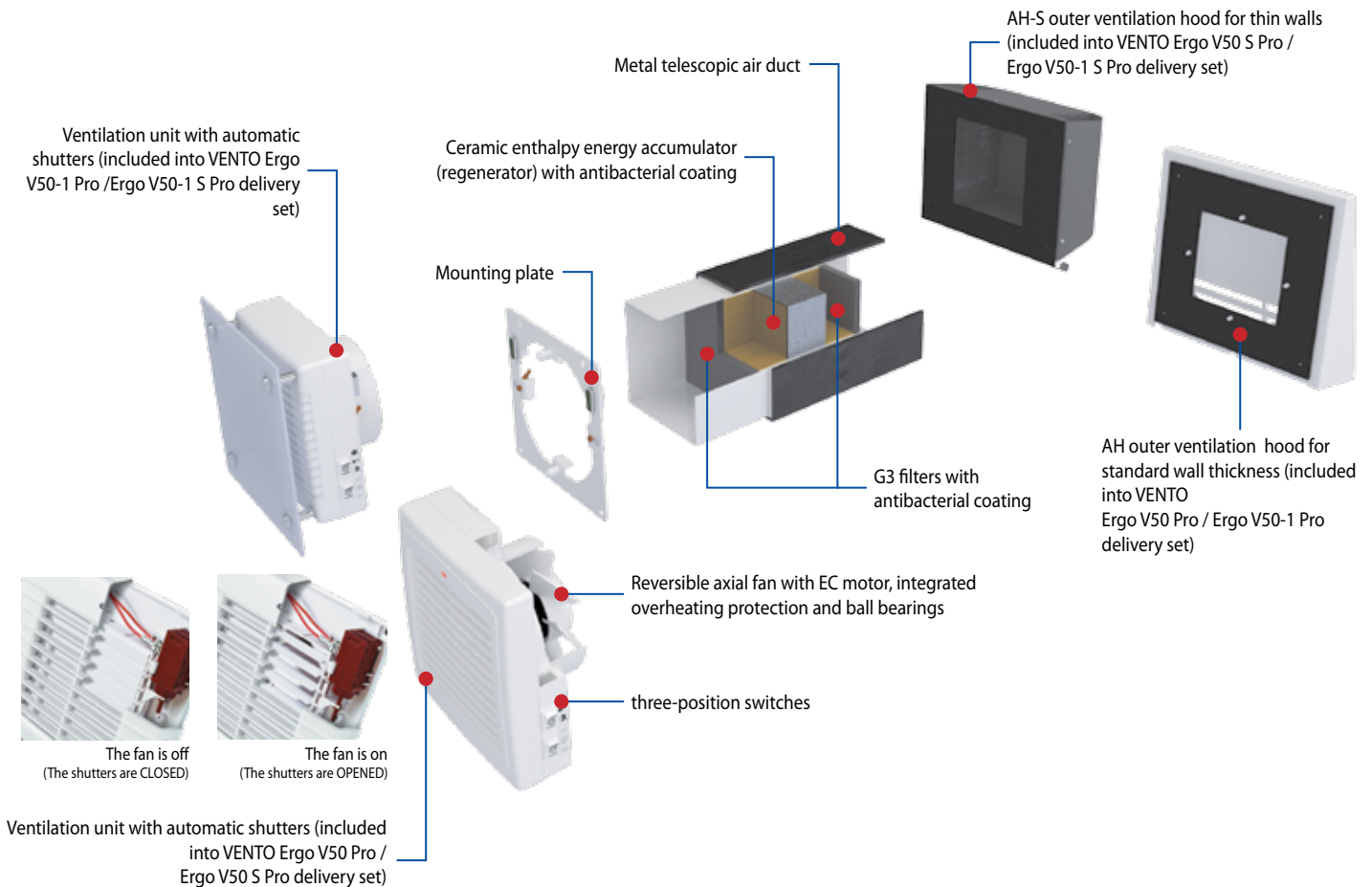
Air capacity – up to 35 m³/h
Heat recovery – up to 88 %



Use

- Arrangement of efficient energy-saving supply and exhaust single-room ventilation in flats, houses, cottages, social and commercial premises.
- Heat recovery minimises ventilation heat losses.
- Humidity balance and controllable air exchange create individually set microclimate.
- Coordinated network based on several integrated single-room ventilation units with central control.

Design



Heat and moisture regeneration

- High-tech ceramic energy accumulator with heat recovery up to 88 %.
- Due to its cellular structure it has a larger contact area surface and high

efficiency. The energy accumulator is featured with excellent heat-conducting properties and thermal energy storage capacity.

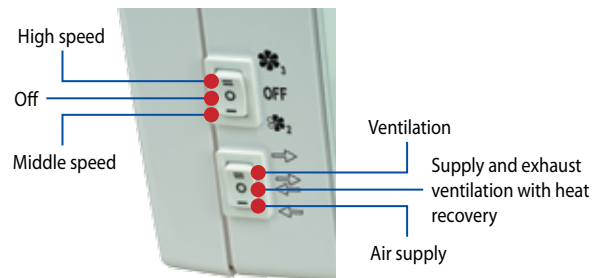
Unit operating logic in winter period



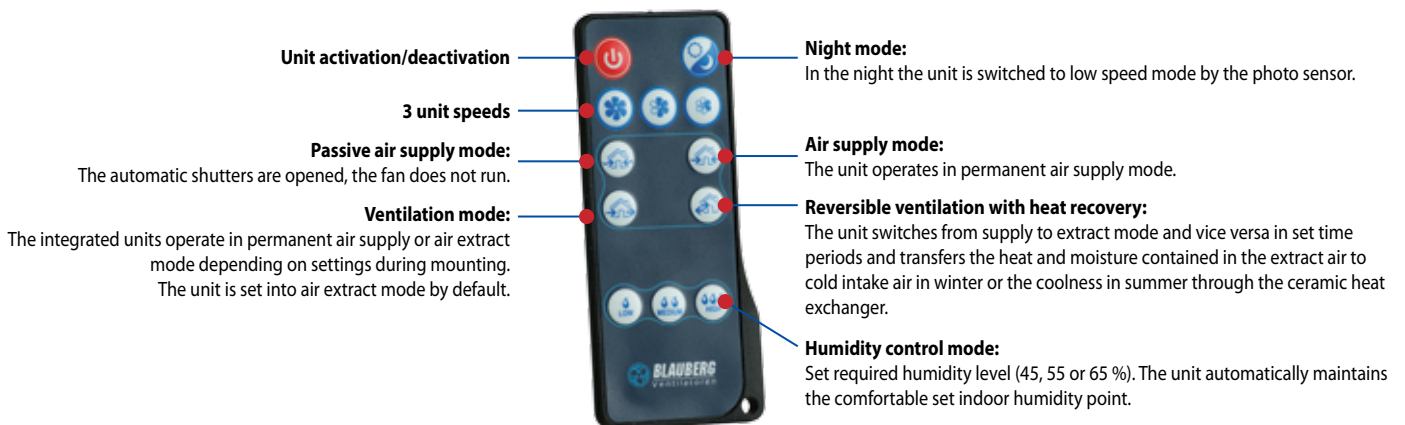
- Warm stale air is extracted from the premise, flows through the ceramic regenerator and transfers a part of the accumulated heat and moisture to it.
- As the ceramic regenerator gets warmed up, the unit switches to the supply mode.
- Clean cold intake air flows through the regenerator and absorbs accumulated heat and humidity.
- When the ceramic regenerator is cooled down, the unit is switched to the extract air mode.

Control

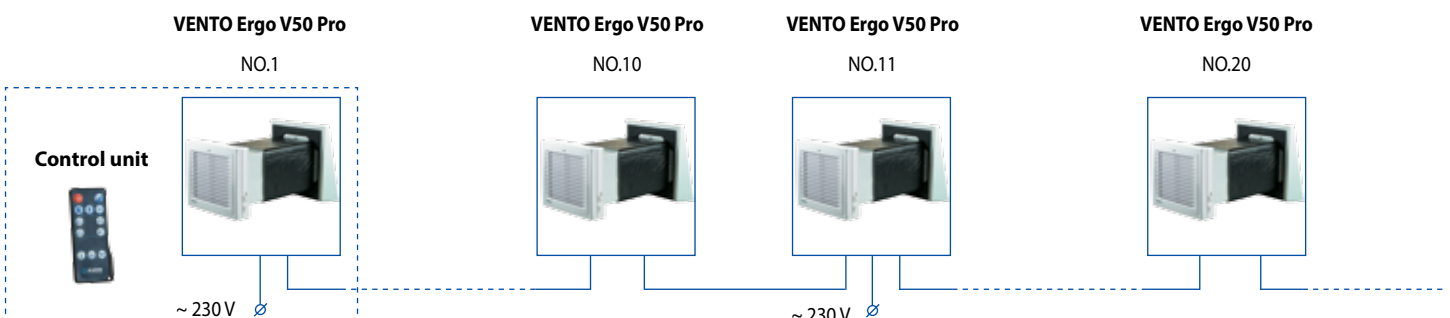
- The unit operation mode control is performed by means of manual three-position switches located on the unit casing or using the remote controller.
- The unit is equipped with a humidity sensor for indoor humidity control and regulation.
- Connection of the units in series enables a central ventilation system.



- Remote control and operation mode selection:



- Connection of several units in series enables their synchronous control by the first unit. For connection of the units in series connect the contact socket on the mounting plate of the first unit to the contact socket of the second units. Connect the third unit with the second one in the same way, etc. The signal from the remote control is received by the first unit only.

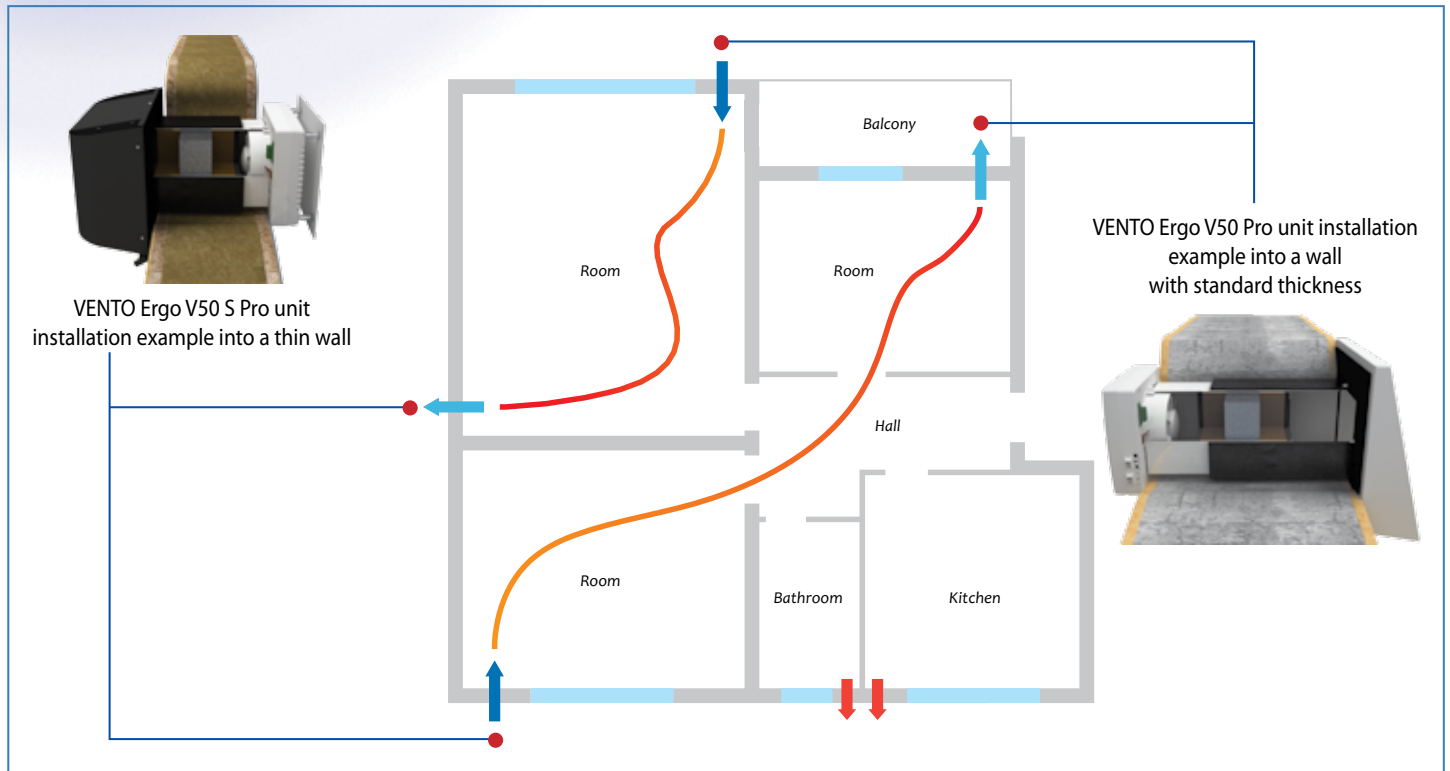


HEAT RECOVERY SINGLE-ROOM UNITS

■ Mounting

- The unit is designed for external through-the-wall installation inside a prepared square hole in the outer wall of the building.
- The best ventilation solution is pairwise installation of reverse phase connected units. Some units supply fresh air to the room and the other units extract stale air from the room. This allows to arrange the most efficient balanced ventilation.

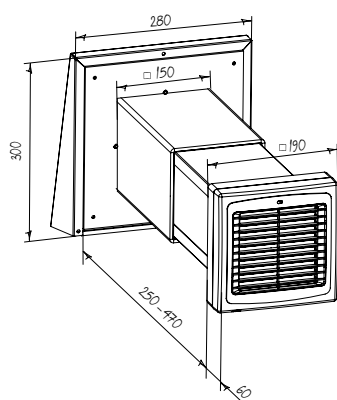
- In case of brand new construction the units are mounted in two stages:
 - **pre-installation** at the stage of the indoor finishing and outer decorative wall finishing. It includes installation of the telescopic air ducts, outer ventilation hood and laying out of electric cables.
 - **final mounting** before commissioning of a house. It includes installation of the regenerator, the filters, connection of the ventilation unit.



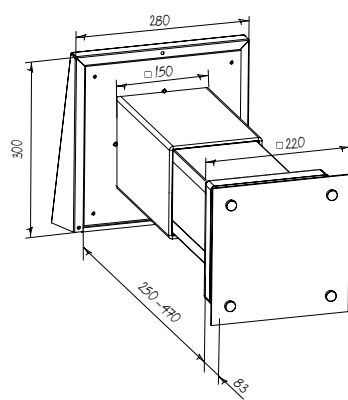
■ Technical data

Parameters	VENTO Ergo V50 Pro / VENTO Ergo V50-1 Pro VENTO Ergo V50 S Pro / VENTO Ergo V50-1 S Pro		
	1	2	3
Speed	1	2	3
Voltage / 50-60 Hz [V]	100-230		
Power [W]	4.31	4.92	5.8
Current [A]	0.025	0.029	0.035
RPM [min ⁻¹]	808	1264	1629
Air capacity [m ³ /h]	11	24	35
Sound pressure level at 1 m [dB(A)]	28	33	39
Sound pressure level at 3 m [dB(A)]	19	24	29
Outdoor sound pressure attenuation [dB(A)]	19		
Regeneration efficiency [%]	up to 88		
SEC class	A		
Ingress protection rating	IP 24		

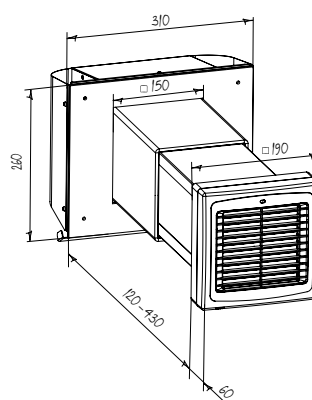
Overall dimensions



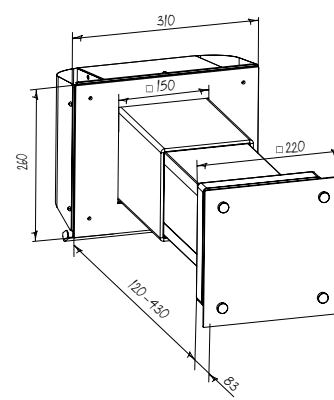
VENTO Ergo V50 Pro



VENTO Ergo V50-1 Pro



VENTO Ergo V50 S Pro



VENTO Ergo V50-1 S Pro

Accessories

Accessory name	Description
Pre-installation kit for mounting into a wall with standard thickness Pre-installation Kit VENTO Ergo V50	<input type="checkbox"/> Includes: <ul style="list-style-type: none"> • Square telescopic air duct, section 150x150 mm, 250-470 mm long. • AH 150x150 outer ventilation hood. • Plastic foam plug. • Mounting plate.
Pre-installation kit for mounting into a thin wall Pre-installation Kit VENTO Ergo V50 S	<input type="checkbox"/> Includes: <ul style="list-style-type: none"> • Square telescopic air duct, section 150x150 mm, 120-430 mm long. • AH-S 150x150 outer ventilation hood. • Plastic foam plug. • Mounting plate.
Final mounting kit Completion Kit VENTO Ergo V50	<input type="checkbox"/> Includes: <ul style="list-style-type: none"> • Ceramic regenerator 150x150 mm. • VENTO Ergo V50 ventilation unit. • G3 filters.
Final mounting kit Completion Kit VENTO Ergo V50-1	<input type="checkbox"/> Includes: <ul style="list-style-type: none"> • Ceramic regenerator 150x150 mm. • VENTO Ergo V50-1 ventilation unit. • G3 filters.
Remote control FB-VENTO Ergo	<input type="checkbox"/> For controlling the VENTO Ergo units.