



Gravity dampers

VG

for round ducts

■ Use

- For automatic shutoff of air ducts installed in various premises when the fan is off.
- Gravitationally actuated.
- Compatible with \varnothing 100 up to 315 mm round air ducts.

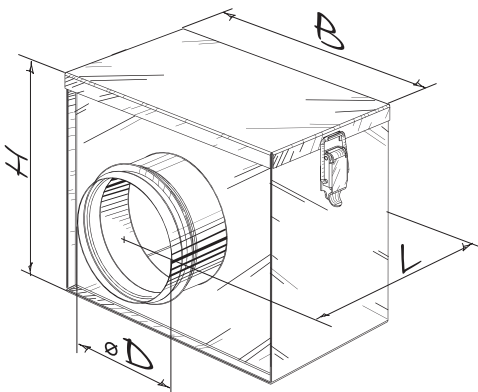
■ Design

- Galvanized steel case.
- Equipped with pivoted gravity louvre shutters made of PVC built inside the inner frame.
- Louvre shutters are opened by air pressure and are closed automatically when the fan is off.
- The spigot is equipped with rubber seals.

■ Mounting

- Fixed inside round ventilation ducts.
- Provide free gravity actuating of the louvre shutters.
- While mounting into the ventilation system match air flow direction.

■ Overall dimensions



Type	Dimensions [mm]				Weight [kg]
	D	B	H	L	
VG 100	99	225	216	232	1.814
VG 125	124	225	216	232	1.794
VG 140	139	225	216	232	1.798
VG 150	149	225	216	232	1.774
VG 160	159	225	216	232	1.699
VG 200	199	295	316	232	2.764
VG 250	249	295	316	232	2.624
VG 315	314	365	366	232	3.238