



Shutters

VK

for round ducts

Use

- For manual regulation of air flow volume in the air ducts.
- Compatible with \varnothing 80 to 450 mm round air ducts.

Design

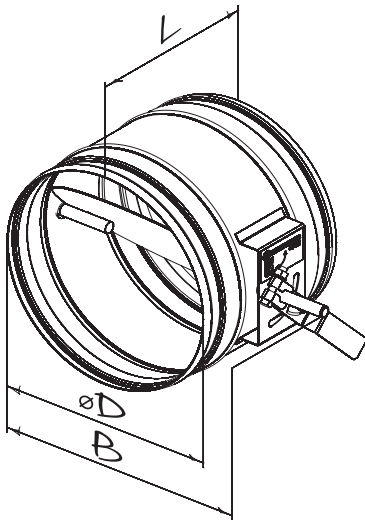
- The casing and the rotary blade are made of galvanized steel.
- Airtight connection to air ducts due to rubber seals.

- Air flow manual regulation with a metal handle equipped with a lever and a locking device for fixing the position of the rotary blades.
- In closed position about 10 % of cross section is left open.

Mounting

- Fixing to round ducts with clamps.

Overall dimensions



| Model | Dimensions [mm] | | | Weight [kg] |
|--------|-----------------|-----|-----|-------------|
| | \varnothing D | B | L | |
| VK 80 | 79 | 140 | 160 | 0.43 |
| VK 100 | 99 | 170 | 160 | 0.55 |
| VK 125 | 124 | 195 | 160 | 0.69 |
| VK 150 | 149 | 220 | 160 | 0.83 |
| VK 160 | 159 | 230 | 160 | 0.90 |
| VK 200 | 199 | 270 | 160 | 1.14 |
| VK 250 | 249 | 320 | 200 | 1.65 |
| VK 315 | 314 | 385 | 250 | 2.45 |
| VK 355 | 348 | 425 | 300 | 3.21 |
| VK 400 | 399 | 470 | 350 | 3.90 |
| VK 450 | 449 | 520 | 400 | 5.1 |

