



Shutters

VK

for rectangular ducts

Use

- For manual regulation of air flow or shut-off of air ducts.
- Compatible with 400x200 up to 600x350 mm rectangular air ducts.

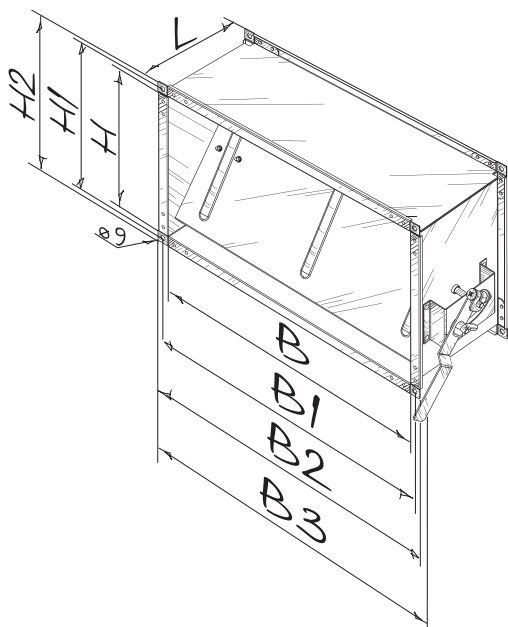
Design

- Galvanized steel case and rotary blade.
- Manual regulation with a metal handle equipped with a lever and a locking device for fixing the position of the rotary blade.

Mounting

- Fixing to rectangular ducts with flange connection.
- Mounting with galvanized bolts and clamps that fix the end flanges of the air shutter to the mating flanges of the air ducts or any other ventilation system components.

Overall dimensions



Type	Dimensions [mm]								Weight [kg]
	B	B1	B2	B3	H	H1	H2	L	
VK 40x20	400	420	440	460	200	220	240	202	3.0
VK 50x25	500	520	540	560	250	270	290	202	3.8
VK 50x30	500	520	540	560	300	320	340	202	3.1
VK 60x30	600	620	640	660	300	320	340	202	4.2
VK 60x35	600	620	640	660	350	370	390	202	5.1

