



Backdraft dampers

VRVS

for round ducts

Use

- For automatic shut-off of the air ducts and prevention of back drafting when the fan off. Suitable for installation in various premises.
- Compatible with \varnothing 100 up to 315 mm round air ducts.

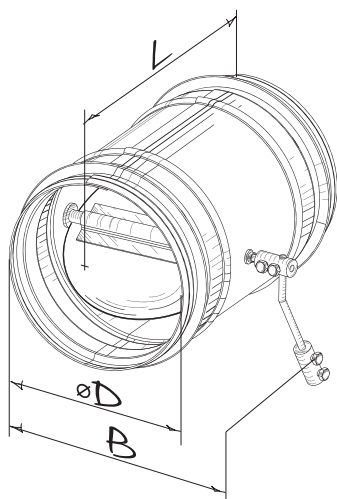
Design

- Galvanized steel case and rotary gravity-actuated blade.
- Airtight connection with the air ducts due to rubber seals.
- The damper blade is opened with air pressure and reset automatically when the fan is off and no air pressure is produced.
- Manual handle with a counterweight to regulate the damper opening-closing sensitivity.

Mounting

- Fixing to round ducts with clamps.
- Provide free gravity actuated movement of the blade.
- Install the backdraft damper into the ventilation system with respect to the air flow direction.

Overall dimensions



Type	Dimensions [mm]			Weight [kg]
	$\varnothing D$	B	L	
VRVS 100	99	139	150	0.65
VRVS 125	124	162	170	0.81
VRVS 150	149	194	180	0.97
VRVS 160	159	204	190	1.06
VRVS 200	199	238	220	1.57
VRVS 250	249	290	270	2.2
VRVS 315	314	356	340	3.24